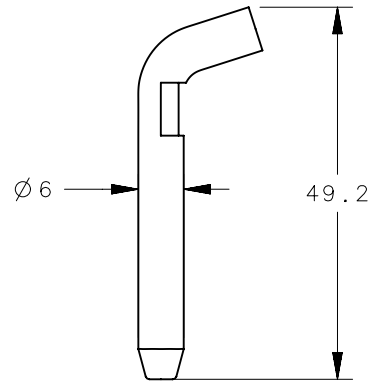
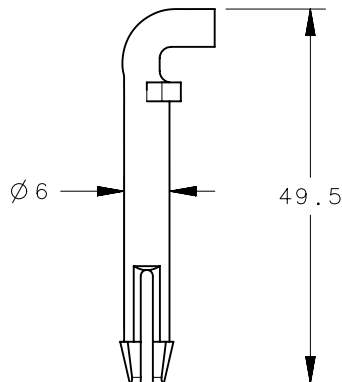


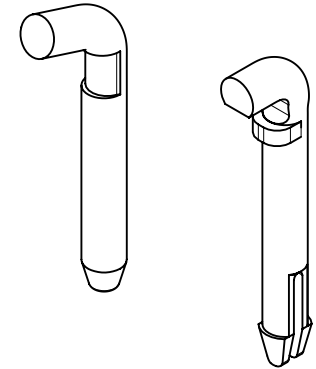
REVISION HISTORY			
REV	DATE	BY	DESCRIPTION
C	04APR2018	RCS/DM	PRN: P2018-0838



PART NUMBER: KH-G



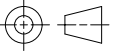

PART NUMBER: KH-P



SCALE 1:1

NOTES/NOTAS:

- A. COSMETIC SPECIFICATION:  
ALL SURFACES ARE TO CONFORME TO A CLASS "B" DESIGNATION AS DESCRIBED IN SOUTHCO COSMETIC SPECIFICATIONS.  
S-121-01 FOR CHROME PLATING PRODUCTS.  
S-121-04 FOR PLASTIC PRODUCTS.
- B. PACKAGING: BULK PACKAGED.

KH-P		PLASTIC	WHITE
KH-G		STEEL	CHROME PLATED
PART NUMBER		MATERIAL	FINISH
THIRD ANGLE PROJECTION 		 CONNECT • CREATE • INNOVATE	
MILLIMETERS [IN]			
TOLERANCES UNLESS OTHERWISE NOTED		DESCRIPTION	
UP TO 0.5 ±0.05		KH CORNER HINGE - PINS	
OVER 0.5 UP TO 6 ±0.1		SIZE	
OVER 6 UP TO 30 ±0.2		SYSTEM	
OVER 30 ±0.3		DWG NO.	
ANGLES ±1°		J-KH-PIN	
<small>PROPRIETARY ITEM EXCEPT FOR USES EXPRESSLY GRANTED IN WRITING, INFORMATION DISCLOSED HEREON IS CONFIDENTIAL AND ALL RIGHTS, PATENT AND OTHERWISE, ARE RESERVED BY SOUTHCO, INC.</small>		DRAWN BY	DATE
PER ASME Y14.5M-1994		DLH	09MAY2005
		SCALE	SHEET
		1:1	1 OF 1