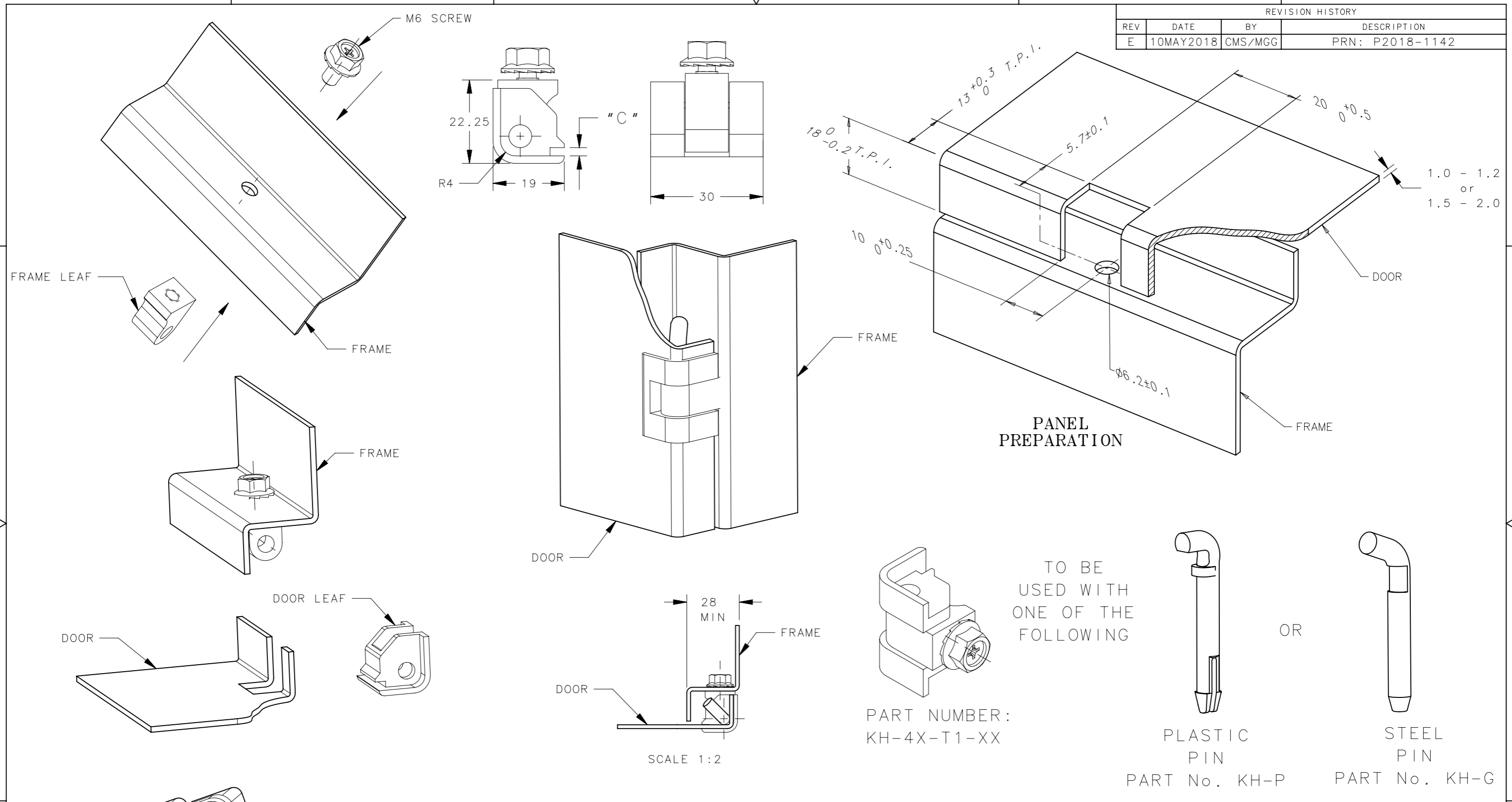


REVISION HISTORY			
REV	DATE	BY	DESCRIPTION
E	10MAY2018	CMS/MGG	PRN: P2018-1142



- NOTES:
- A. COSMETIC SPECIFICATION:
ALL SURFACES ARE TO CONFORM TO A CLASS "B" DESIGNATION AS DESCRIBED IN SOUTHCO COSMETIC SPECIFICATIONS:
S-121-01 FOR CHROME PLATING
S-121-03 FOR POWDER COATING
 - B. PACKAGING: TRAY PACKAGED SHIPPED (50) PER BOX.
 - C. INSTALLATION:
 1. LOOSELY ATTACH FRAME LEAF TO FRAME WITH M6 SCREW.
 2. SLIDE DOOR LEAF INTO CUTOUT IN DOOR.
 3. ALIGN HOLES IN FRAME LEAF AND DOOR LEAF AND INSERT PIN (PIN ORDERED SEPARATELY).
 4. TIGHTEN M6 SCREW TO FRAME.
MAX TIGHTENING TORQUE: 5 N·m / 45 lbf·in.

KH-42-T1-50	CORNER HINGE	DIE CAST ZINC	BLACK POWDER COAT	1.5mm - 2.0mm	2.2mm
KH-42-T1-38	CORNER HINGE	DIE CAST ZINC	CHROME PLATED	1.5mm - 2.0mm	2.2mm
KH-41-T1-50	CORNER HINGE	DIE CAST ZINC	BLACK POWDER COAT	1.0mm - 1.2mm	1.5mm
KH-41-T1-38	CORNER HINGE	DIE CAST ZINC	CHROME PLATED	1.0mm - 1.2mm	1.5mm
PART NUMBER	TYPE OF COMPONENT	MATERIAL	FINISH	PANEL THICKNESS	C

THIRD ANGLE PROJECTION		southco [®] CONNECT · CREATE · INNOVATE			
MILLIMETERS [IN]					
TOLERANCES UNLESS OTHERWISE NOTED		DESCRIPTION KH CORNER HINGE, SMALL VERSION A			
ALL DIMENSIONS WITHOUT TOLERANCES ARE FOR REFERENCE ONLY.		SIZE A3	SYSTEM NX	DWG NO. J-KH-42-T1	
PER ASME Y14.5M-1994		DRAWN BY AJH/DLH	DATE 13APR2005	SCALE 1:1	SHEET 1 OF 1

PROPRIETARY ITEM
EXCEPT FOR USES EXPRESSLY GRANTED IN WRITING, INFORMATION DISCLOSED HEREON IS CONFIDENTIAL AND ALL RIGHTS, PATENT AND OTHERWISE, ARE RESERVED BY SOUTHCO, INC.