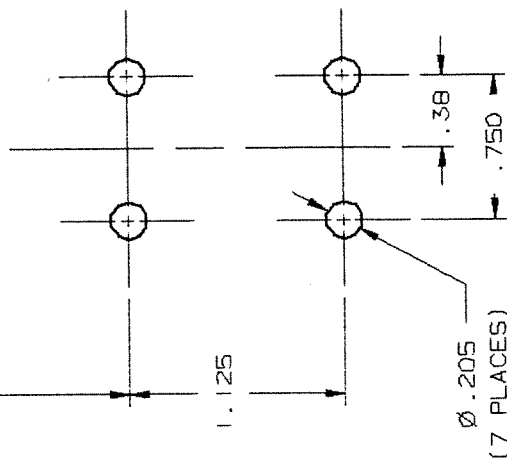
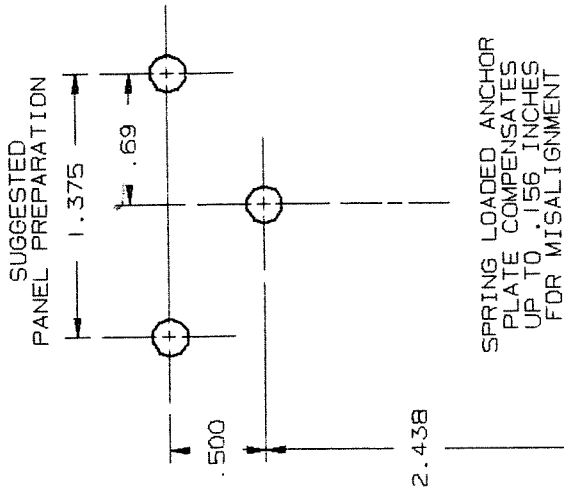
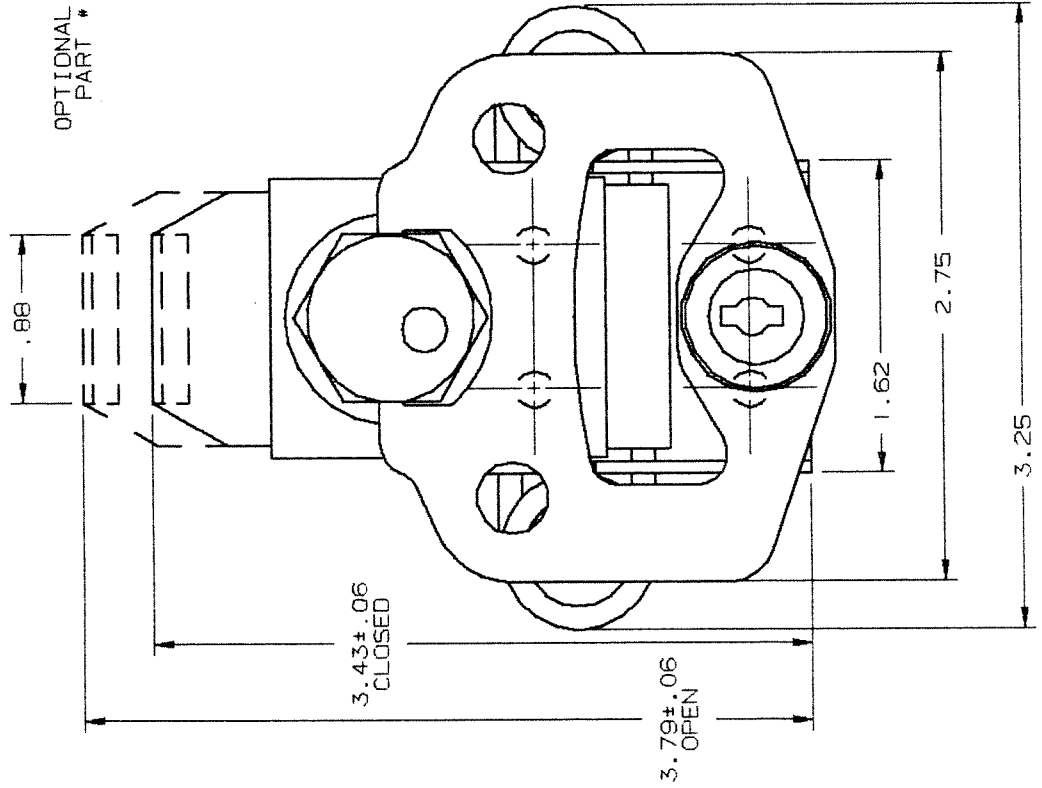


# #2 LINK LOCK - KEY LOCKABLE

DATE: 4 AUG 92  
 DRAWN: PEK  
 CHK'D: PEK  
 SCALE: 1:1  
 DRAWING NUMBER: J-K5-2813-07

REV.	DATE	BY/CHK'D	REVISIONS



MATERIAL & FINISH: WING, LOWER CAM, AND ANCHOR PLATE RIVET ARE CARBON ANCHOR PLATE; WING, LOWER CAM, AND ANCHOR PLATE RIVET ARE CARBON STEEL; ZINC PLATE, BRIGHT CHROMATE DIP HOUSING AND SLIDE ARE HARDENED ALLOY STEEL; ZINC PLATE, BRIGHT CHROMATE DIP UPPER CAM IS POWDER METAL; ZINC PLATE, BRIGHT CHROMATE DIP CAP SPRING AND SPRINGS ARE STAINLESS STEEL LOCK CYLINDER AND LOCK PLUG ARE DIE CAST ZINC; CHROME PLATE LOCKING LEVER IS CARBON STEEL; ZINC PLATE YELLOW

PROPRIETARY ITEM - EXCEPT FOR USES EXPRESSLY GRANTED IN WRITING INFORMATION DISCLOSED HEREON IS CONFIDENTIAL AND ALL RIGHTS, PATENT AND OTHERWISE, ARE RESERVED BY SIMMONS FASTENER.	DIMENSIONS ARE IN INCHES	DECIMAL PLACES ARE IN 2 PLACE (.XX) 3 PLACE (.XXX)	TOLERANCE ± 0.015 ± 0.005	ALL ANGLES ± 1°	DRAWING NUMBER
					J-K5-2813-07
					J-K5-2813-07