



No. 2 LINK LOCK
 SPRING LOADED - PADLOCKABLE

DATE	DRAWN	CHKD	SCALE	DRAWING NUMBER
14 JUL 92	BWP		.75:1	J-K5-2754

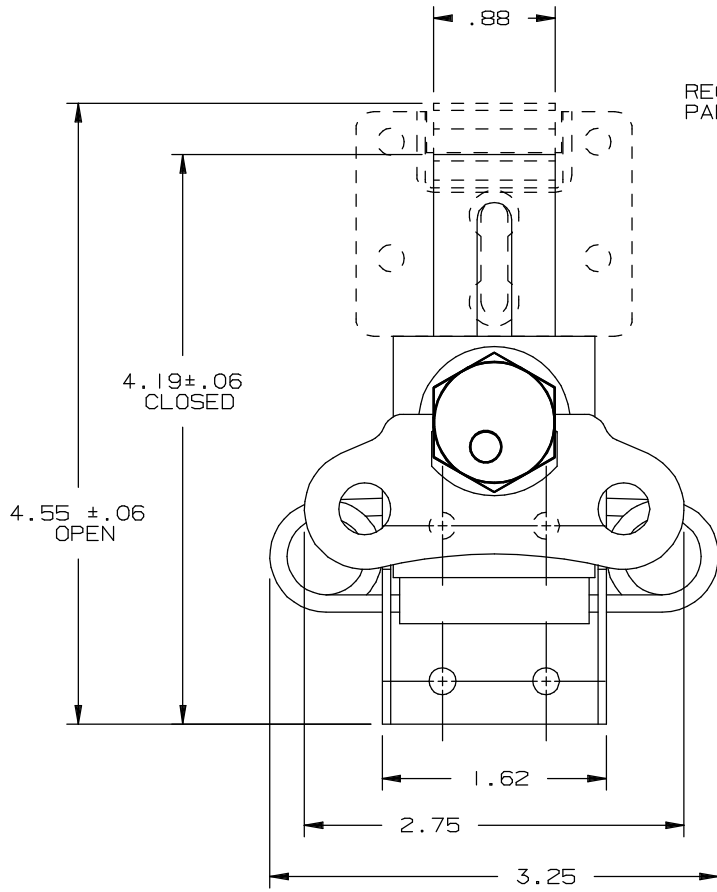
REV.	DATE	BY-CHKD	REVISIONS	PART No.				
A	08NOV97	JGK	PRN: K5-107	K5-2754-07				

MATERIAL AND FINISH:

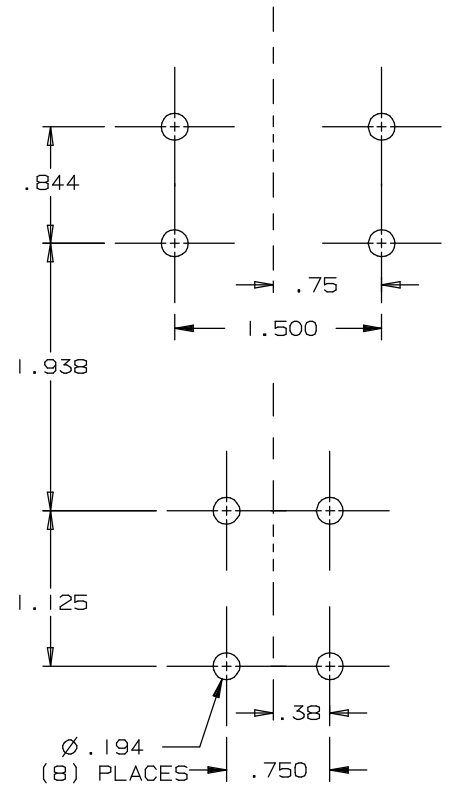
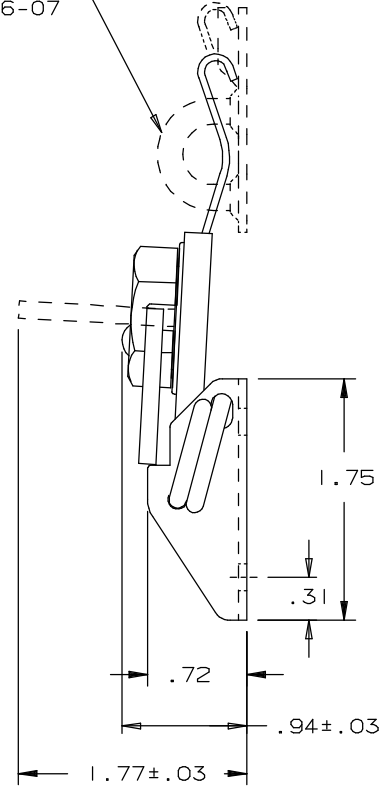
ANCHOR PLATE, WING AND LOWER CAM ARE CARBON STEEL; ZINC PLATE BRIGHT.
 HOUSING, AND SLIDE ARE ALLOY STEEL; ZINC PLATE BRIGHT.
 UPPER CAM IS POWDER METAL; ZINC PLATE BRIGHT.
 CAM RIVET, CAM SPRING AND SPRINGS ARE STAINLESS STEEL.

NOTE "A": SPRING LOADED ANCHOR PLATE COMPENSATES UP TO .156 INCHES FOR MISALIGNMENT.

SUGGESTED
 PANEL PREPARATION



RECOMMENDED KEEPER
 PART No. K5-1736-07



FORMAT A | MAR 94

PROPRIETARY ITEM - EXCEPT FOR USES EXPRESSLY GRANTED IN WRITING
 INFORMATION DISCLOSED HEREON IS CONFIDENTIAL AND ALL RIGHTS PATENT
 AND OTHERWISE ARE RESERVED BY SOUTHCO, INC.

ALL DIMENSIONS WITHOUT TOLERANCES ARE REFERENCE ONLY
 DIMENSIONS IN INCHES
 THIRD ANGLE PROJECTION

DRAWING NUMBER
 J-K5-2754