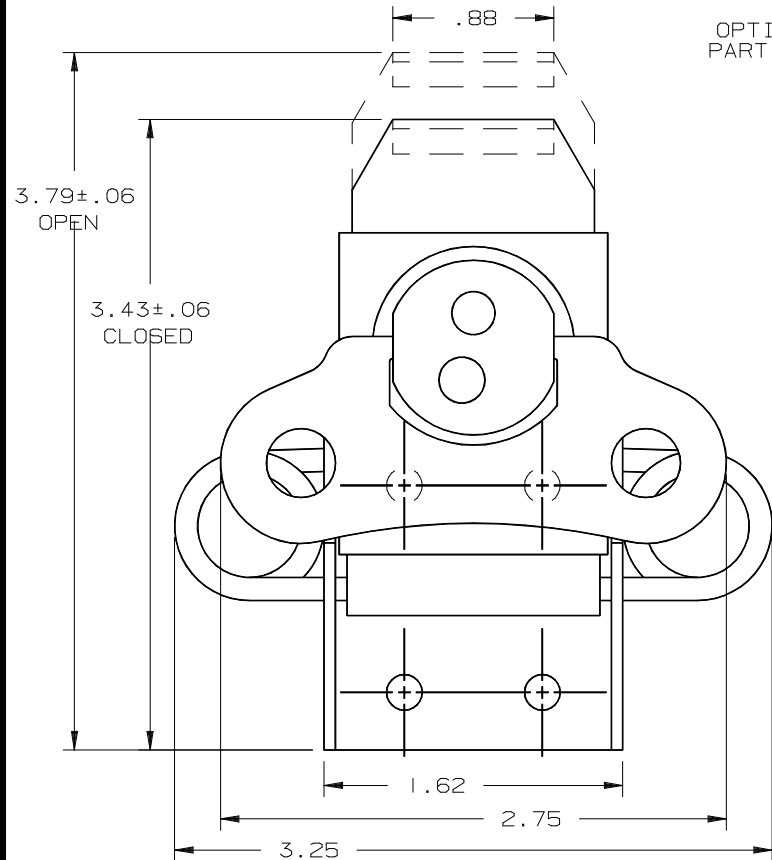


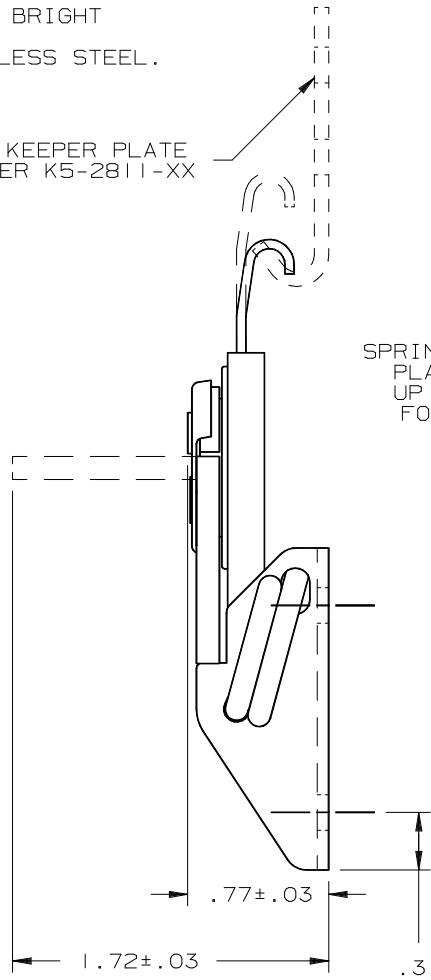
REV.	DATE	BY-CHKD	REVISIONS	PART NUMBER	MATERIAL	FINISH
				K5-2856-07	SEE NOTE A	SEE NOTE A
				K5-2856-52	STAINLESS STEEL	NATURAL
				K5-2856-63	STAINLESS STEEL	BLACK OXIDE
				K5-2856-80	STEEL	BLACK ZINC ALLOY

NOTES:

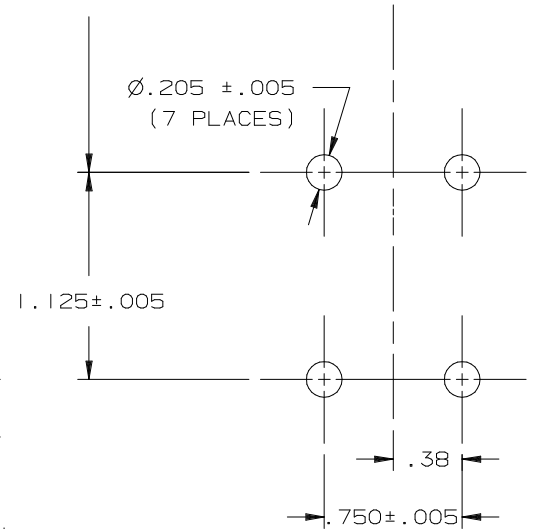
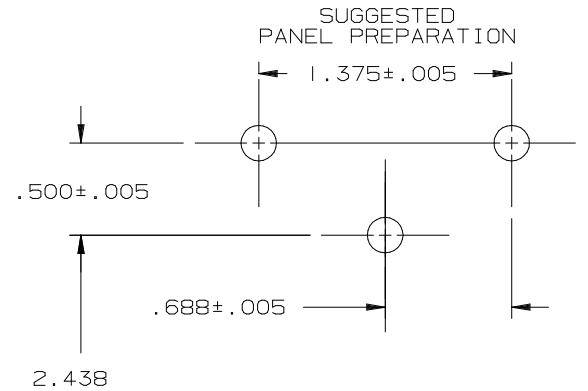
A - MATERIAL AND FINISH:
 ANCHOR PLATE, WING AND LOWER CAM ARE CARBON STEEL; ZINC PLATE, BRIGHT CHROMATE DIP.
 HOUSING AND SLIDE ARE HARDEND STEEL; ZINC PLATE, BRIGHT CHROMATE DIP.
 CAP, CAM RIVET, UPPER CAM, AND SPRINGS ARE STAINLESS STEEL.



OPTIONAL KEEPER PLATE
 PART NUMBER K5-2811-XX



SPRING LOADED ANCHOR
 PLATE COMPENSATES
 UP TO .156 INCHES
 FOR MISALIGNMENT



FORMAT A 1 MAR 94

PROPRIETARY ITEM - EXCEPT FOR USES EXPRESSLY GRANTED IN WRITING
 INFORMATION DISCLOSED HEREON IS CONFIDENTIAL AND ALL RIGHTS PATENT
 AND OTHERWISE ARE RESERVED BY SOUTHCO, INC.

DIMENSIONS
 ARE IN
 INCHES

ALL DIMENSIONS WITHOUT TOLERANCES ARE
 FOR REFERENCE ONLY

DRAWING NUMBER
 J-K5-2856