



PROPRIETARY ITEM - EXCEPT FOR USES EXPRESSLY GRANTED IN WRITING INFORMATION DISCLOSED HEREON IS CONFIDENTIAL AND ALL RIGHTS PATENT AND OTHERWISE ARE RESERVED BY SOUTHCO, INC.

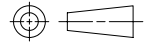

# No. 3 LINK LOCK LOW PROFILE

DATE	DRAWN	CHKD	SCALE	DRAWING NUMBER
13MAY94	KWC		1:1	J-K3-2694

REV	DATE	DRAWN/CHKD	DESCRIPTION	PART NUMBER	MATERIAL	FINISH
D	29NOV2004	MDY/AJH	PRN: P2004-1369	K3-2694-07	SEE NOTE A	ZINC PLATE, BRIGHT CHROMATE
				K3-2694-12	SEE NOTE A	ZINC PLATE, OLIVE
				K3-2694-52	300 SERIES STAINLESS STEEL	NATURAL
				K3-2694-80	SEE NOTE A	ZINC COBALT PLATE PLUS BLACK CHROMATE

**MILLIMETERS**

ALL DIMENSIONS WITHOUT TOLERANCES ARE FOR REFERENCE ONLY.

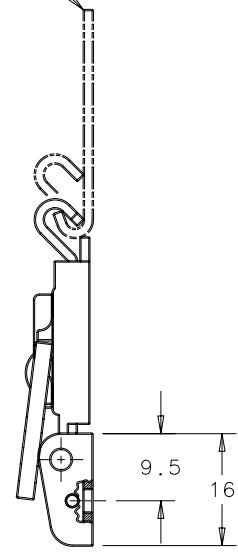
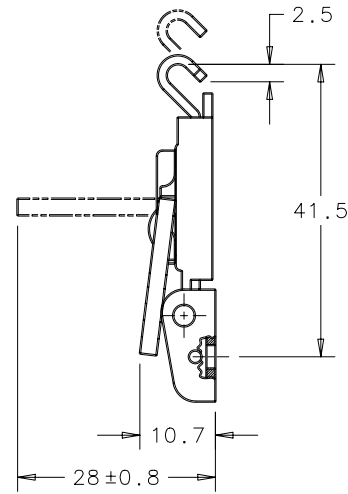
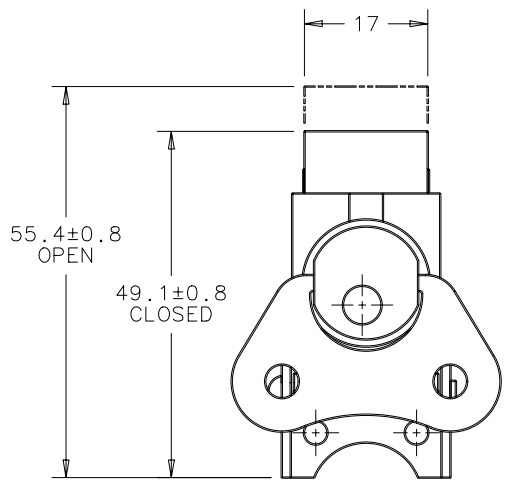
THIRD ANGLE PROJECTION A4 PAPER SIZE

**NOTES:**

**A. MATERIAL:**

- ANCHOR PLATE, HOUSING, WING, ANCHOR PLATE RIVET AND CAMS: CARBON STEEL
- SLIDE: HARDENED ALLOY STEEL
- CAP AND CAM RIVET: 300 SERIES STAINLESS STEEL

KEEPER PLATE  
PART NUMBER K3-2696-XX



**SUGGESTED  
PANEL PREPARATION**

