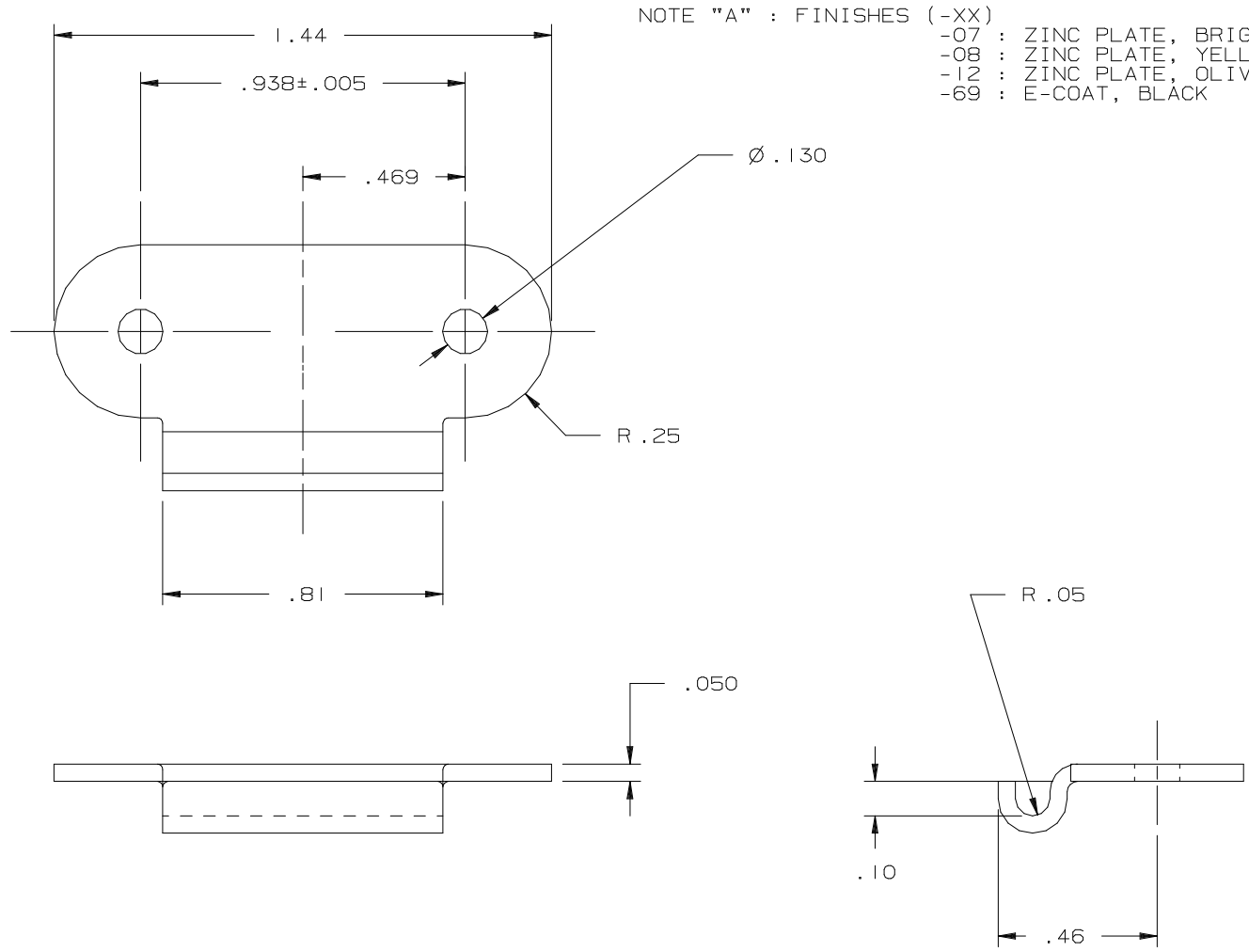




KEEPER PLATE
RIGHT ANGLE

DATE	DRAWN	CHKD	SCALE	DRAWING NUMBER
10aug92	b w p		2 : 1	J-K3-0100

REV.	DATE	BY-CHKD	REVISIONS	PART NUMBER	MATERIAL	FINISH			
A	15APR96	RJB	PRN : K3-122	K3-0100-XX	CARBON STEEL	SEE NOTE "A"			
				K3-0100-52	STAINLESS STEEL	NATURAL			



FORMAT A | MAR 94

PROPRIETARY ITEM - EXCEPT FOR USES EXPRESSLY GRANTED IN WRITING
INFORMATION DISCLOSED HEREON IS CONFIDENTIAL AND ALL RIGHTS PATENT
AND OTHERWISE ARE RESERVED BY SOUTHCO, INC.

DIMENSIONS IN INCHES
THIRD ANGLE PROJECTION

DIMENSIONS WITHOUT TOLERANCES
ARE FOR REFERENCE ONLY

DRAWING NUMBER
J-K3-0100