

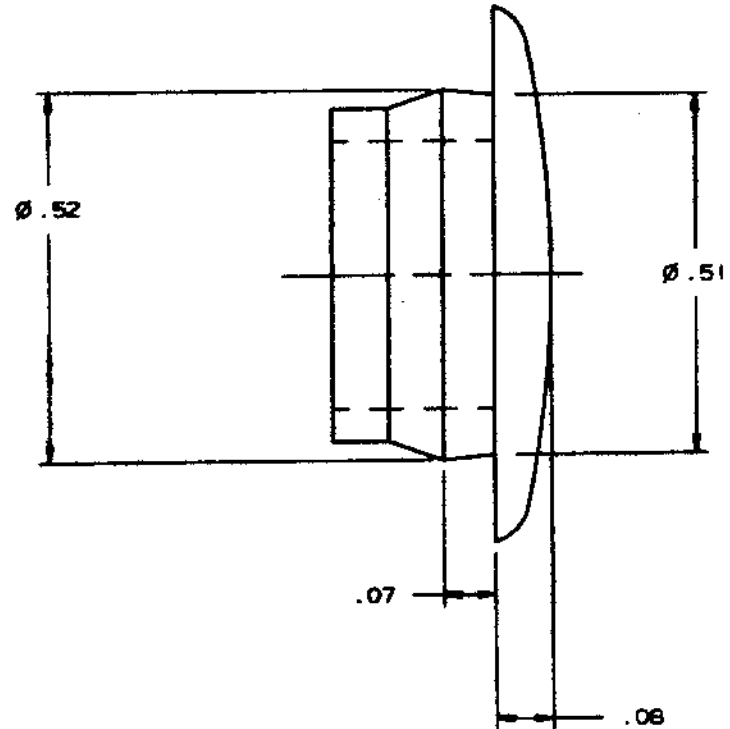
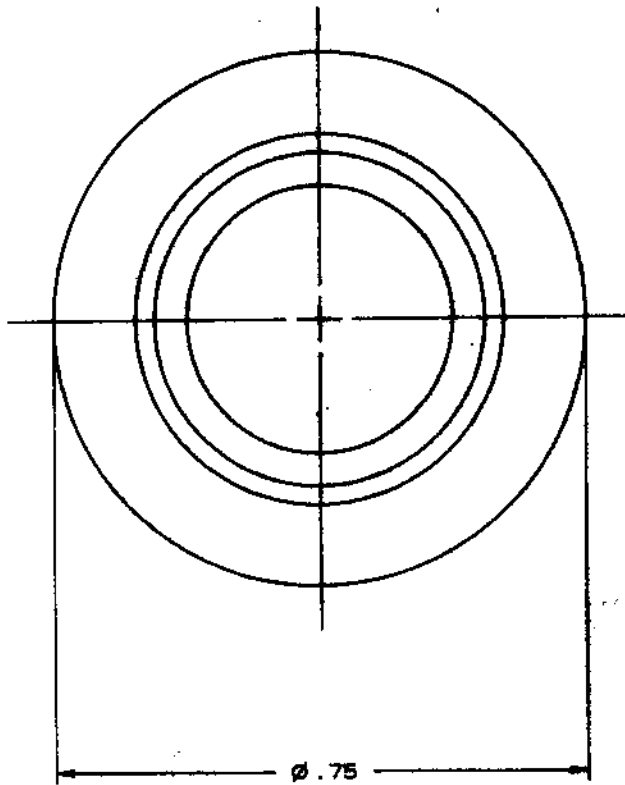


HOLE PLUG

| DATE | DRAWN | CHKD | SCALE | DRAWING NUMBER |
|----------|-------|------|-------|----------------|
| 4 JAN 96 | RJB | | 4:1 | J-T5-7075 |

| REV. | DATE | BY-CHKD | REVISIONS | NUMBER | MATERIAL | COLOR |
|------|------|---------|-----------|-------------|------------|------------------|
| | | | | T5-7075-000 | SEE NOTE A | WHITE |
| | | | | T5-7075-028 | SEE NOTE A | BLACK |
| | | | | T5-7075-050 | SEE NOTE A | LIGHT GRAY |
| | | | | T5-7075-071 | SEE NOTE A | NATURAL |
| | | | | T5-7075-106 | SEE NOTE A | LIGHT SAND BEIGE |
| | | | | T5-7075-117 | SEE NOTE A | ALMOND |

NOTE A: LOW DENSITY POLYETHYLENE
 NOTE B: SUITABLE FOR INSTALLATION IN Ø.500 HOLE.



FORMAT 1 MAR 94

PROPRIETARY ITEM - EXCEPT FOR USES EXPRESSLY GRANTED IN WRITING
 INFORMATION DISCLOSED HEREON IS CONFIDENTIAL AND ALL RIGHTS PATENT
 AND OTHERWISE ARE RESERVED BY SOUTHCO, INC.

DIMENSIONS
 ARE IN
 INCHES

DIMENSIONS WITHOUT
 TOLERANCES ARE FOR
 REFERENCE ONLY.

DRAWING NUMBER
 J-T5-7075