

NOTES:

A. COSMETIC SPECIFICATION: UNLESS OTHERWISE NOTED, ALL SURFACES ARE TO CONFORM TO A CLASS *C* DESIGNATION AS DESCRIBED IN SOUTHCO COSMETIC SPECIFICATIONS: S-121-02 FOR ZINC PLATE; S-121-04 FOR PLASTIC PARTS.

B. RoHS COMPLIANT.

southco

PROPRIETARY ITEM - EXCEPT FOR USES EXPRESSLY GRANTED IN WRITING, INFORMATION DISCLOSED HEREON IS CONFIDENTIAL AND ALL RIGHTS PATENT AND OTHERWISE ARE RESERVED BY SOUTHCO, INC.

SWING HANDLE LATCH
KEY LOCKING

DATE	DRAWN	CHKD	SCALE	DRAWING NUMBER
26APR2005	RSN	VNI	0.5:1	J-H3-40-100

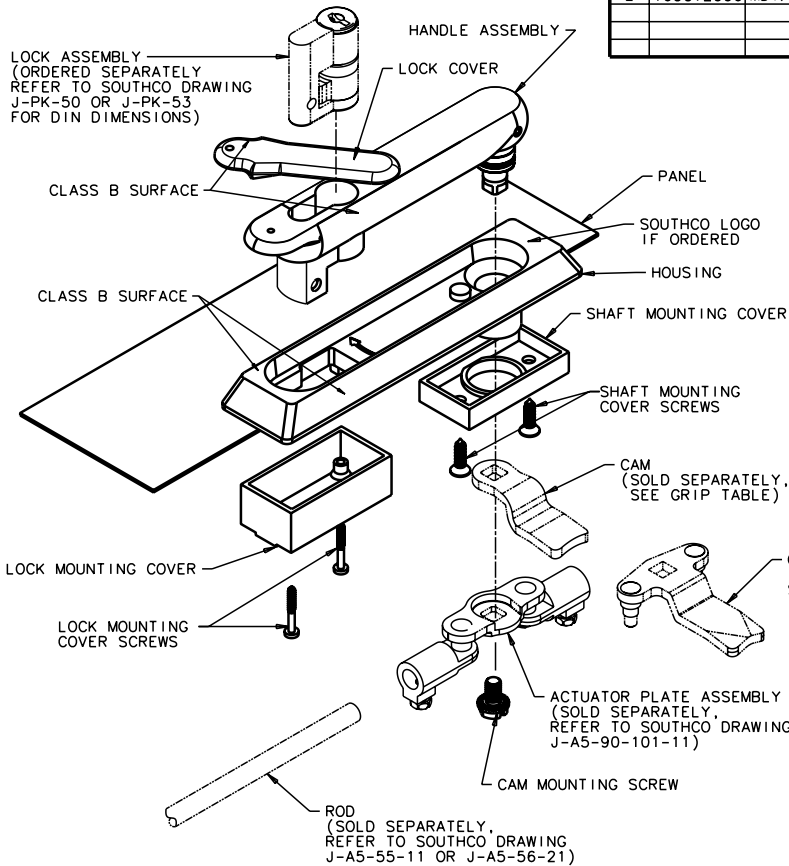
REV	DATE	DRAWN/CHKD	DESCRIPTION	ITEM	PART NUMBER	MATERIAL	FINISH
A	16SEP2005	MJS/RLR	PRN: P2005-1241	ASSEMBLY WITHOUT LOGO	H3-40-100	-	-
B	23SEP2005	RLR/AJH	PRN: P2005-1283	ASSEMBLY WITH LOGO	H3-40-100-L	-	-
C	02DEC2005	MDY/AJH	PRN: P2005-1734	HOUSING	-	-	-
D	02MAR2006	MDY/AJH	PRN: P2006-0293	HANDLE	-	-	-
E	16OCT2006	MDY/AJH	PRN: P2006-1423	HANDLE COVER	-	30% GLASS FILLED NYLON	BLACK
				PIN PLUG	-	-	-
				SHAFT MOUNTING COVER	-	-	-
				LOCK MOUNTING COVER	-	-	-
				SHAFT	-	DIE CAST ZINC	CHROME PLATED
				SHAFT O-RING	-	RUBBER	BLACK
				SHAFT PIN	-	-	-
				CAM MOUNTING SCREW	-	LOW CARBON STEEL	ZINC PLATE, BRIGHT CHROMATE CONVERSION COATING
				LOCK MOUNTING COVER SCREWS	-	-	-
				RETAINING RING	-	STEEL	-
				FLANGE SEAL	-	PVC	BLACK

MILLIMETERS

ALL DIMENSIONS WITHOUT TOLERANCES ARE FOR REFERENCE ONLY.

THIRD ANGLE PROJECTION

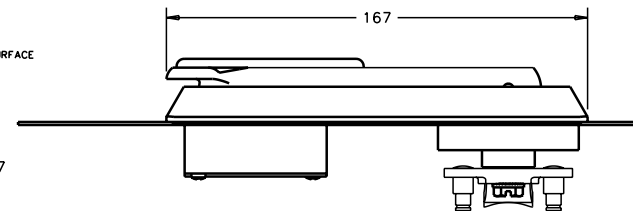
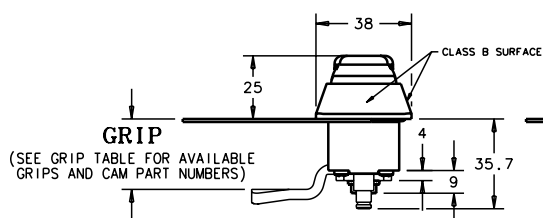
A3 PAPER SIZE



INSTALLATION:

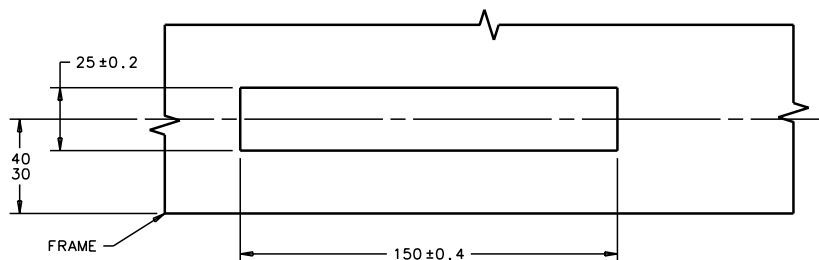
1. PREPARE PANEL AS SHOWN IN ONE OF THE TWO OPTIONS BELOW.
2. REMOVE THE MOUNTING COVERS AND INSTALL LATCH FROM THE FRONT OF THE PANEL.
3. FROM THE BACK - INSTALL THE LOCK MOUNTING COVER SO THAT IT COVERS THE BOTTOM OF THE LOCK ASSEMBLY AND SECURE WITH TWO MOUNTING SCREWS (LONGER SCREWS). INSTALLATION TORQUE FOR SCREWS TO BE 0.8 - 1.3 N·m (7 - 11 lb·in).
4. FROM THE BACK - INSTALL THE SHAFT MOUNTING COVER AND SECURE WITH TWO MOUNTING SCREWS (SHORTER SCREWS). INSTALLATION TORQUE TO BE 1.7 - 2.0 N·m (15-18 lb·in).
5. INSTALL CAM (SOLD SEPARATELY) ONTO SHAFT ENSURING PROPER ORIENTATION WITH THE CAM POINTING TOWARDS THE EDGE OF THE DOOR. SECURE WITH CAM MOUNTING SCREW (PROVIDED).
6. SLIDE LOCK ASSEMBLY (ORDERED SEPARATELY) INTO SLOT IN HANDLE. SECURE USING LOCK MOUNTING SCREW PROVIDED WITH LOCK ASSEMBLY.
7. ATTACH ROD ASSEMBLY IF REQUIRED.

GRIP TABLE CAM PART No. E5-61YY				GRIP TABLE 3 POINT CAM PART No. E5-63YY			
YY	GRIP	YY	GRIP	YY	GRIP	YY	GRIP
07	12.5	15	28.5	30	18.5		
08	14.5	16	30.5	34	26.5		
09	16.5	17	32.5	36	30.5		
10	18.5	18	34.5				
11	20.5	19	36.5				
12	22.5	20	38.5				
13	24.5	21	40.5				
14	26.5	22	42.5				



PANEL PREPARATION

OPTION 1:



OPTION 2:

