

DRAWING NUMBER
J-F7-74

MILLIMETERS

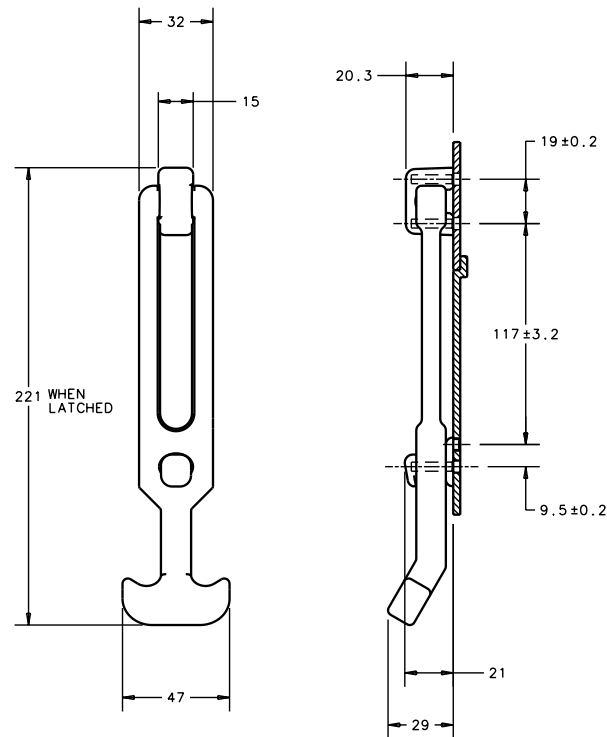
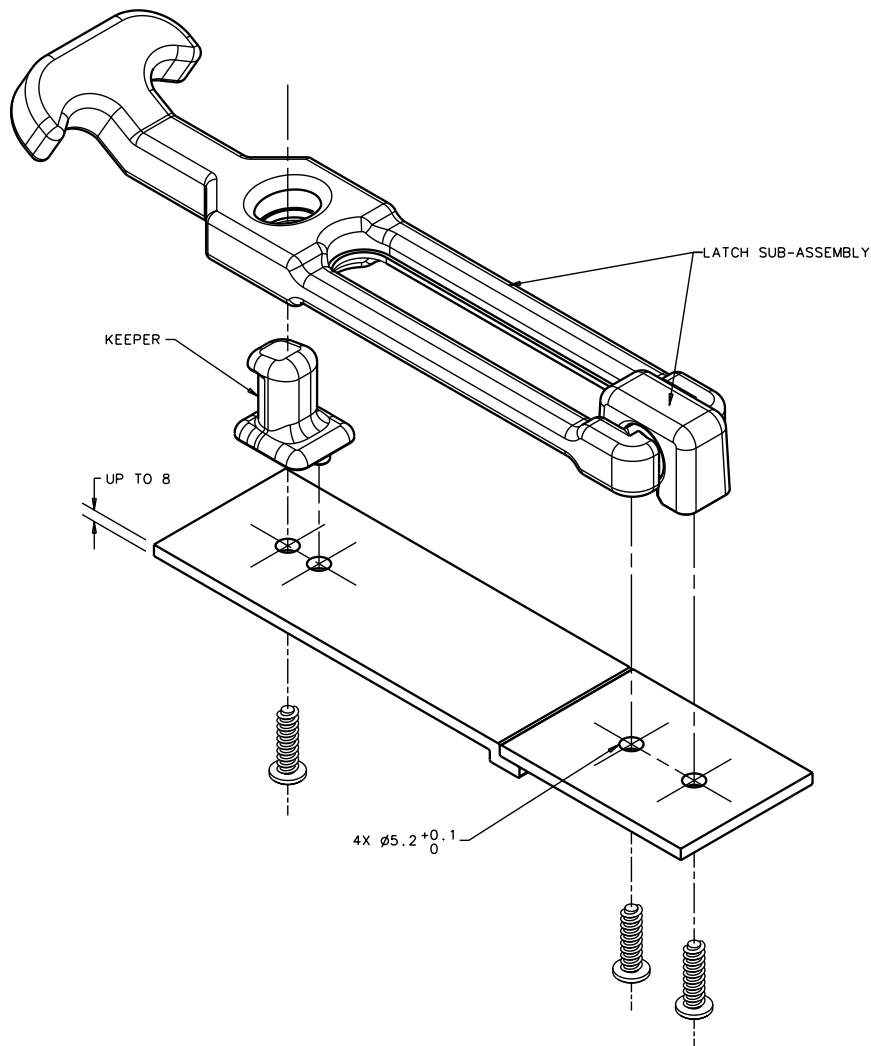
ALL DIMENSIONS WITHOUT
TOLERANCES ARE FOR
REFERENCE ONLY.A3
PAPER
SIZE
THIRD ANGLE PROJECTION

REV	DATE	BRW/CHD	SCALE
	20 JUN 2000	A, JH	1:1

REV	DATE	BRW/CHD	SCALE	DESCRIPTION
	20 JUN 2000	A, JH	1:1	F7 FLEXIBLE DRAW LATCH - CONCEALED MOUNTING (THREAD FORMING)

REV	DATE	BRW/CHD	DESCRIPTION	PART NUMBER
A	03MAY2002	AJH/DLH	FRN: P2002-0280	F7-74
B	19OCT2002	AJH/DLH	FRN: P2002-0790	

southco
 PROPRIETARY ITEM - EXCEPT FOR USES EXPRESSLY
 GRANTED IN WRITING INFORMATION DISCLOSED
 HEREIN, ALL RIGHTS ARE RESERVED BY SOUTHCO INC.



INSTALLED VIEWS
(SCALE .5:1)

NOTES:

- LATCH ASSEMBLY CONSISTS OF:
SUB-ASSEMBLY:
HANDLE - TPE, BLACK
BRACKET - G.R. NYLON, BLACK.
KEEPER - G.R. NYLON, BLACK
SCREWS (3) - 18-8 STAINLESS, PASSIVATED
- LATCH SUB-ASSEMBLY, KEEPER, AND SCREWS SHIPPED SEPARATELY, BULK. FOR LATCHES PACKAGED ONE PER BAG, ADD -P TO PART NUMBER.
- MOUNT USING (3) THREAD FORMING NO.2 PHILLIPS RECESS SCREWS (SOUTHCO SUPPLIED).
MAX INSTALLATION TORQUE - 2.0 N m