

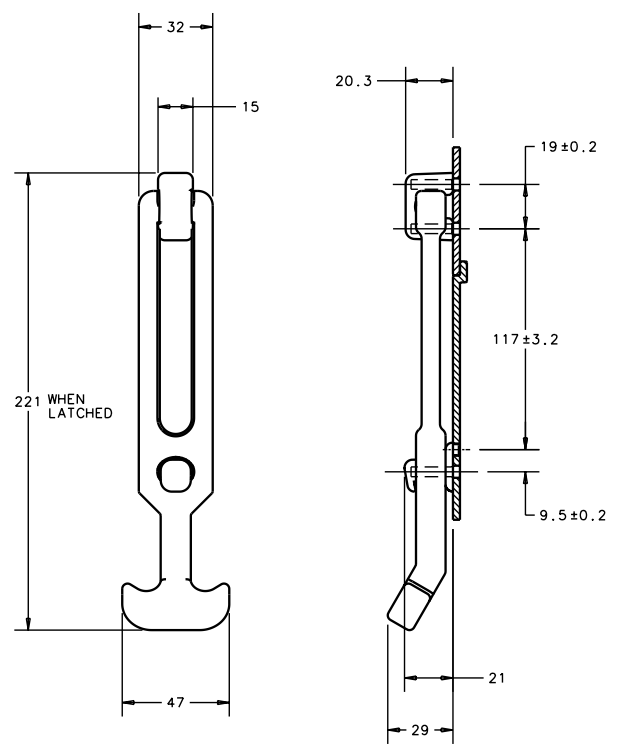
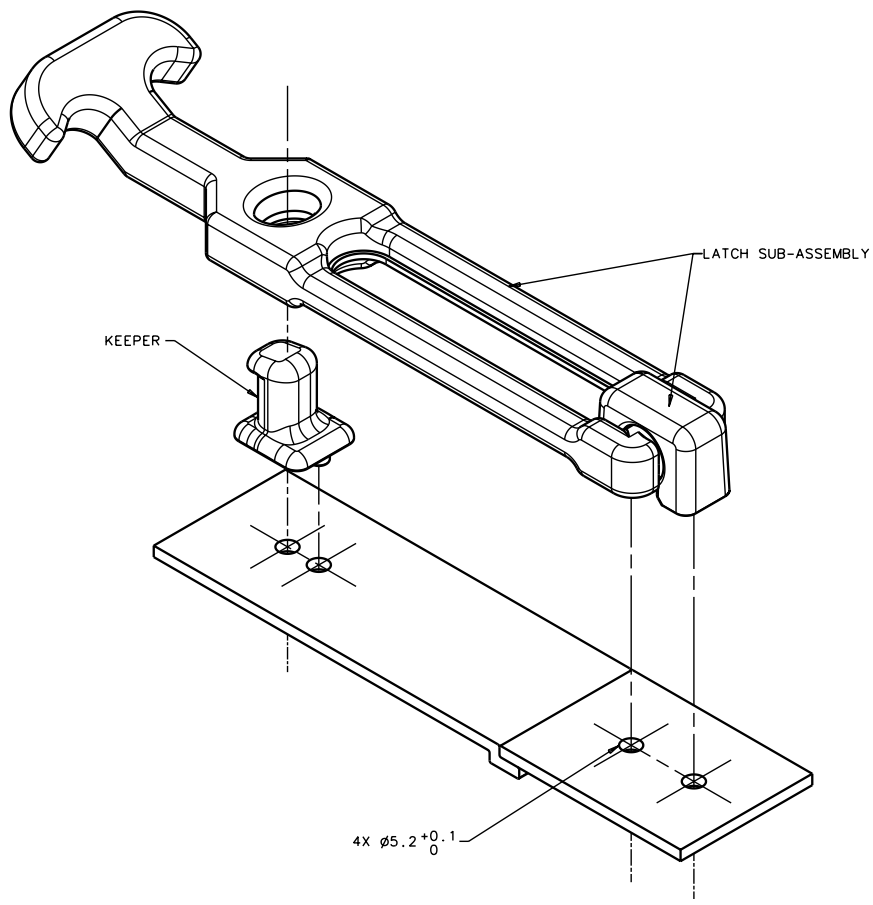
REV	DATE	DRAWN/CHKD	DESCRIPTION	PART NUMBER
A	04MAY93	ALC	PRN: S-1-03	F7-72
B	11NOV94	MSB	PRN: F7-30	
C	19OCT2002	AJH/DLH	PRN: P2002-0790	

PROPERTY ITEM - EXCEPT FOR USES EXPRESSLY INDICATED HEREON, THIS DRAWING IS UNCLASSIFIED AND OTHERWISE ARE RESERVED BY SOUTHCO, INC.

F7 FLEXIBLE DRAW LATCH - CONCEALED MOUNTING (M5 THREAD)

DATE	DRAWN/CHKD	SCALE	DRAWING NUMBER
8/21/91	JAD	1:1	J-F7-72

MILLIMETERS
ALL DIMENSIONS WITHOUT TOLERANCES ARE FOR REFERENCE ONLY.
A3 PER SIZE
THIRD ANGLE PROJECTION



INSTALLED VIEWS
(SCALE .5:1)

- NOTES:
- LATCH ASSEMBLY CONSISTS OF:
SUB-ASSEMBLY:
HANDLE - TPE, BLACK
BRACKET - G.R. NYLON, BLACK.
KEEPER - G.R. NYLON, BLACK
 - LATCH SUB-ASSEMBLY, KEEPER, AND SCREWS SHIPPED SEPARATELY, BULK. FOR LATCHES PACKAGED ONE PER BAG, ADD -P TO PART NUMBER.
 - MOUNT USING (3) M5 THREAD SCREWS (NOT SUPPLIED).
SCREW LENGTH = PANEL THICKNESS PLUS 12.7