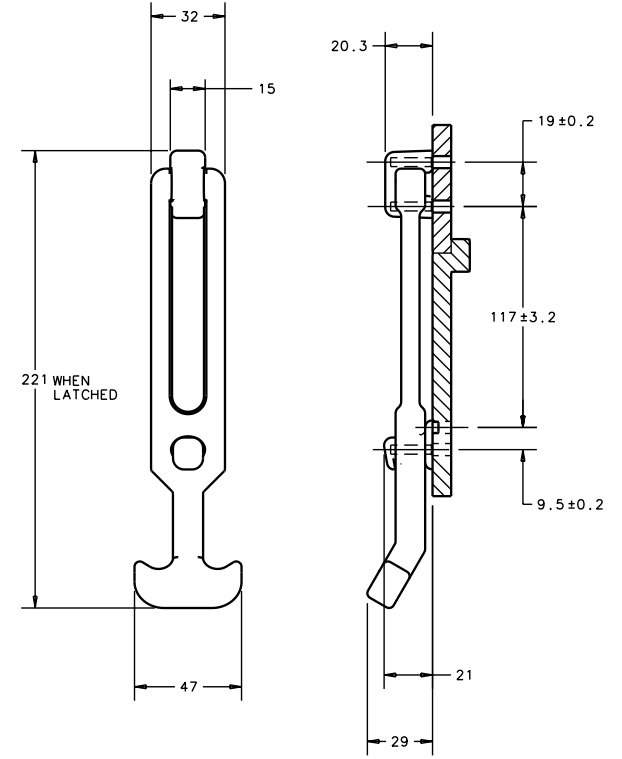
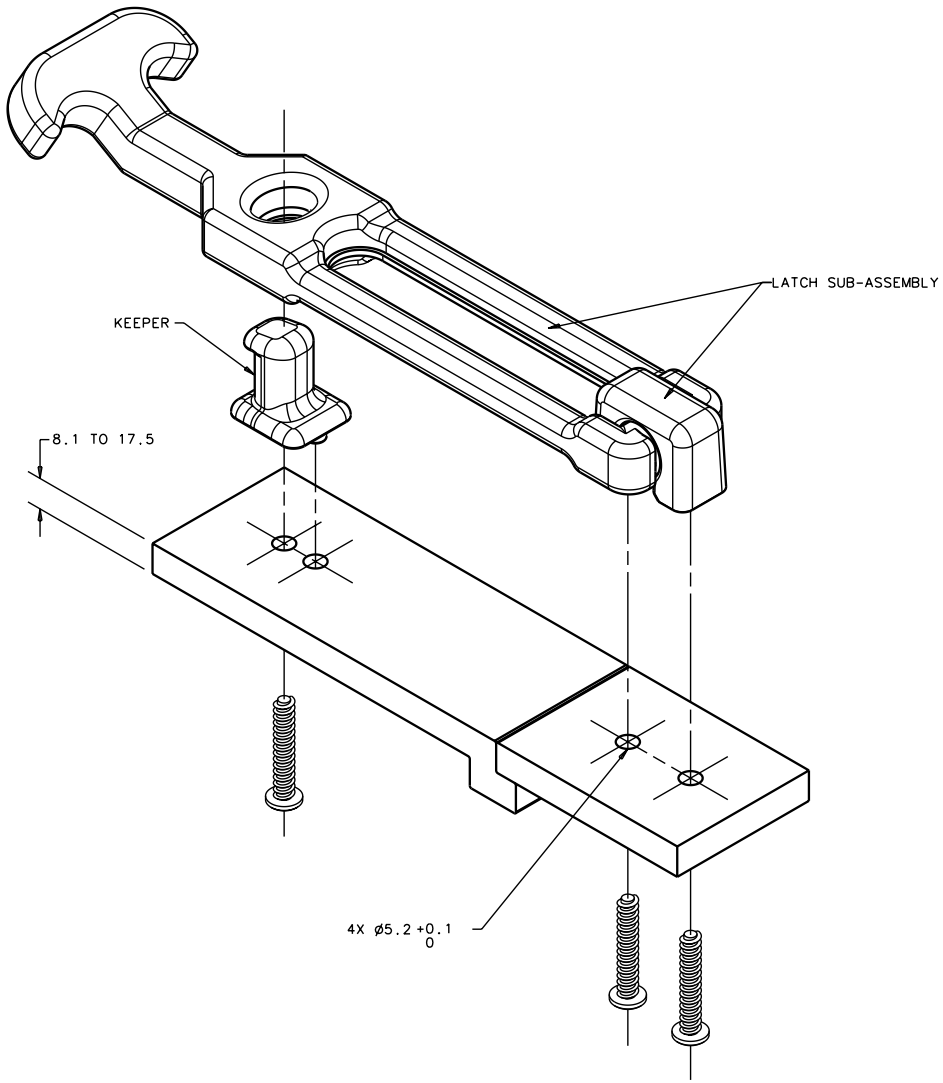


<b>southco</b>	
REV	DATE
A	03MAY2002
B	19OCT2002

PROPRIETARY ITEM - EXCEPT FOR USES EXPRESSLY GRANTED IN WRITING, INFORMATION DISCLOSED HEREIN IS UNCLASSIFIED AND OTHERWISE RESERVED BY SOUTHCO, INC.
DESCRIPTION
F7 FLEXIBLE DRAW LATCH - CONCEALED MOUNTING (THREAD FORMING)
PART NUMBER
F7-75

DRAWN	CHKD	SCALE
AJH		1:1
DATE	21 JUN 2000	
DRAWING NUMBER		
J-F7-75		

MILLIMETERS	
ALL DIMENSIONS WITHOUT TOLERANCES ARE FOR REFERENCE ONLY.	
A3 PAPER SIZE	
THIRD ANGLE PROJECTION	



INSTALLED VIEWS  
(SCALE .5:1)

- NOTES:
- LATCH ASSEMBLY CONSISTS OF:  
SUB-ASSEMBLY:  
HANDLE - TPE, BLACK  
BRACKET - G.R., NYLON, BLACK.  
KEEPER - G.R., NYLON, BLACK  
SCREWS (3) - 18-8 STAINLESS, PASSIVATED
  - LATCH SUB-ASSEMBLY, KEEPER, AND SCREWS SHIPPED SEPARATELY, BULK. FOR LATCHES PACKAGED ONE PER BAG, ADD -P TO PART NUMBER.
  - MOUNT USING (3) THREAD FORMING NO. 2 PHILLIPS RECESS SCREWS (SOUTHCO SUPPLIED).  
MAX INSTALLATION TORQUE - 2.0 N-m