

REV	DATE	DRAWN/CHKD	DESCRIPTION	PART NUMBER
A	04MAY93	ALC	PRN: S-1-03	F7-73
B	10NOV94	MSB	PRN: F7-30	
C	19OCT2002	AJH/DLH	PRN: P2002-0790	
D	06SEP2016	OMS/JF	PRN: P2016-2050	

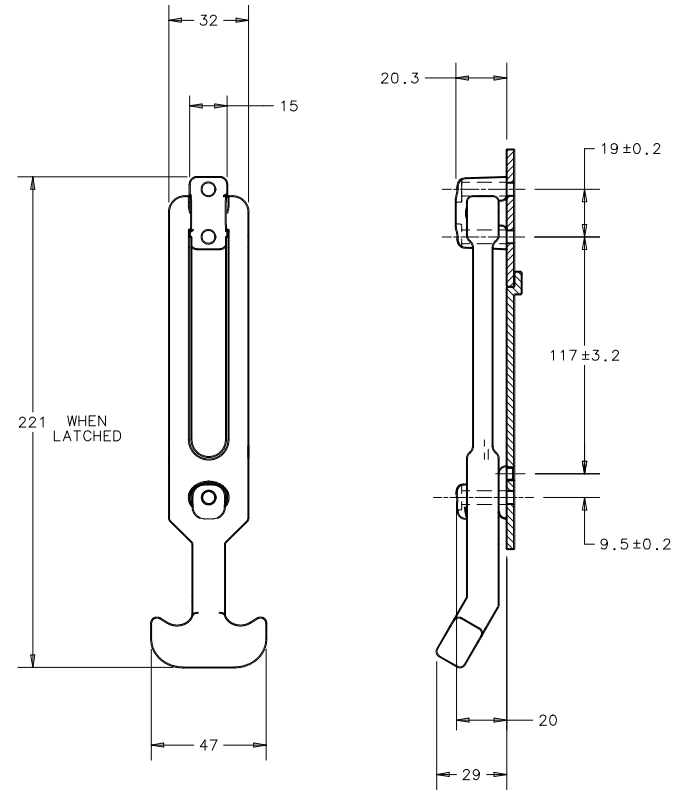
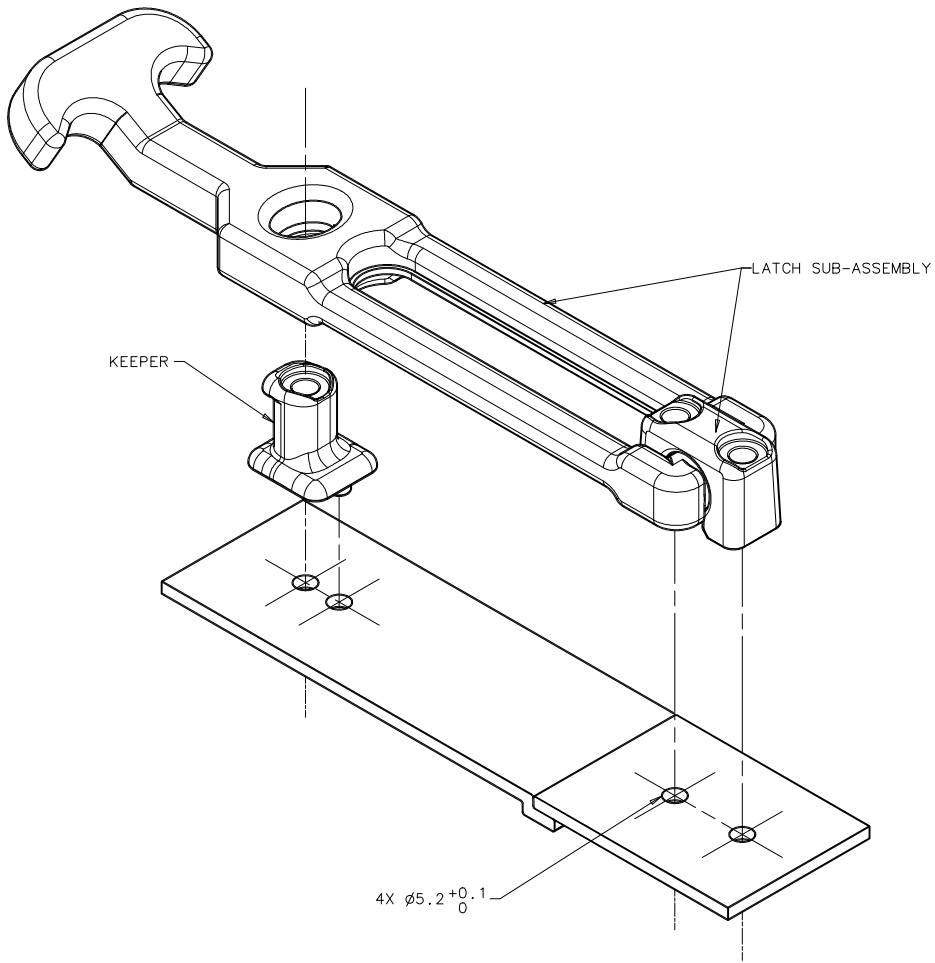
F7 FLEXIBLE DRAW LATCH - CONCEALED MOUNTING (FRONT MOUNTED)

DATE: 8/21/91
DRAWN: JAD
CHKD SCALE: 1:1

DRAWING NUMBER: J-F7-73
MILLIMETERS

ALL DIMENSIONS WITHOUT TOLERANCES ARE FOR REFERENCE ONLY.

A3 PAPER SIZE
THIRD ANGLE PROJECTION



INSTALLED VIEWS
(SCALE .5:1)

- NOTES:
- LATCH ASSEMBLY CONSISTS OF:
SUB-ASSEMBLY:
HANDLE - TPE, BLACK
BRACKET - G.R. NYLON, BLACK.
KEEPER - G.R. NYLON, BLACK
 - LATCH SUB-ASSEMBLY AND KEEPER SHIPPED SEPARATELY, BULK. FOR LATCHES PACKAGED ONE PER BAG, ADD -P TO PART NUMBER.
 - MOUNT USING (3) No. 10/M5 SCREWS OR 3/16 - 5mm RIVETS (NOT SUPPLIED).