



F6 Hinge

Removable style · Concealed

- Hinge and hardware are concealed
- Allows for quick easy door removal
- Three styles

Material and Finish

Steel, zinc plated, or stainless steel

Performance Details

Steel

Radial load:

Maximum static load: 300 N (65 lbf)

Axial load:

Maximum static load:

500 N (112 lbf)

Stainless Steel

Radial load:

Maximum static load: 300 N (65 lbf)

Axial load:

Maximum static load:

800 N (180 lbf)

Installation Notes

1. Select frame and door leaf separately for bulk packaging.
2. Select assembly for individual packaging (consists of 1 frame leaf and door leaf per bag)

Screws not supplied.

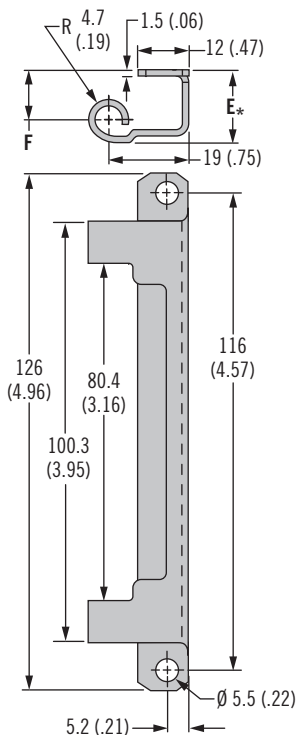
Use M5 (No. 10) hardware

Machine screws are recommended for mounting frame leaf

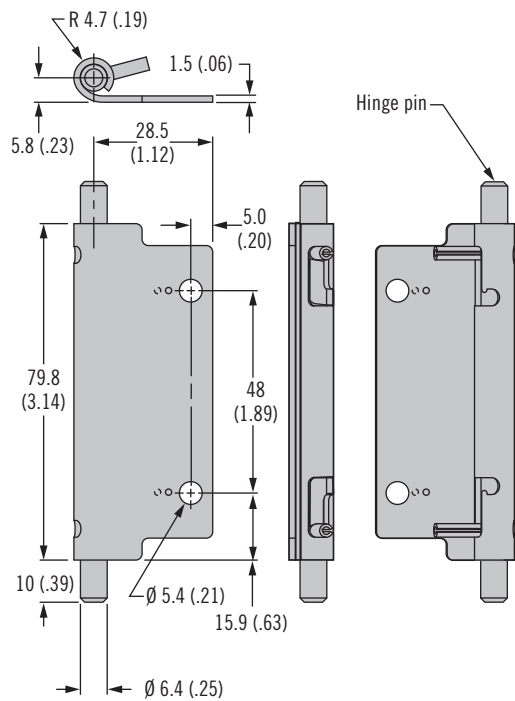
Part Number

See table

Frame Leaf



Door Leaf

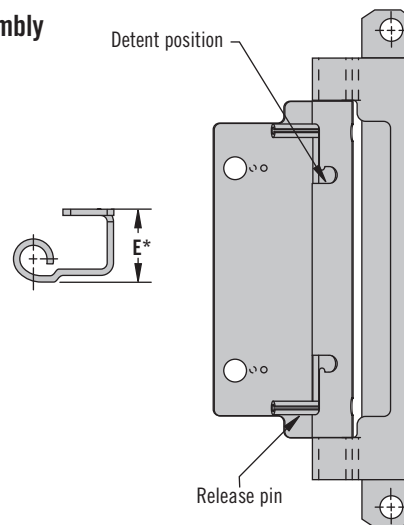


Frame Leaf Part Number				
Series	E	F	Steel	Stainless Steel
1	17 (.67)	11.8 (.47)	F6-901	F6-901-1
2	20 (.79)	14.8 (.58)	F6-902	F6-902-1
3	23.4 (.92)	18.2 (.72)	F6-903	F6-903-1

Door Leaf Part Number		
Door Leaf	Steel	Stainless Steel
	F6-940	F6-940-1

Part Number Assembled				
Series	Assembly		Steel	Stainless Steel
	E	F		
1	17 (.67)	11.8 (.47)	F6-1	F6-1-1
2	20 (.79)	14.8 (.58)	F6-2	F6-2-1
3	23.4 (.92)	18.2 (.72)	F6-3	F6-3-1

Assembly

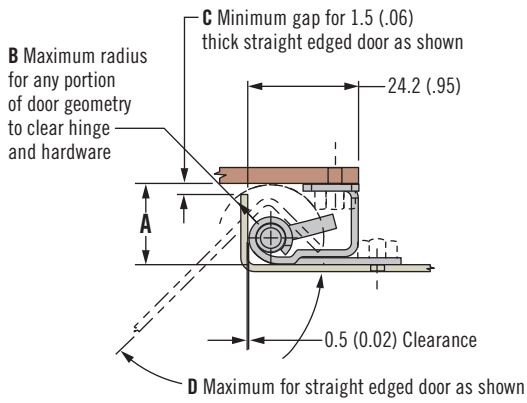


Other options available. For complete details on variety, part numbers, installation and specification, go to



www.southco.com/F6

Dimensions in millimeters (inch) unless otherwise stated



Hinges may be fastened to door and frame by:

- M5 (No. 10) hardware. Machine screws are recommended for mounting frame leaf.
- *Hex jam nuts. Verify clearance with door edge. Depending on jam nut orientation, full rotation may be obstructed.
- Welding.

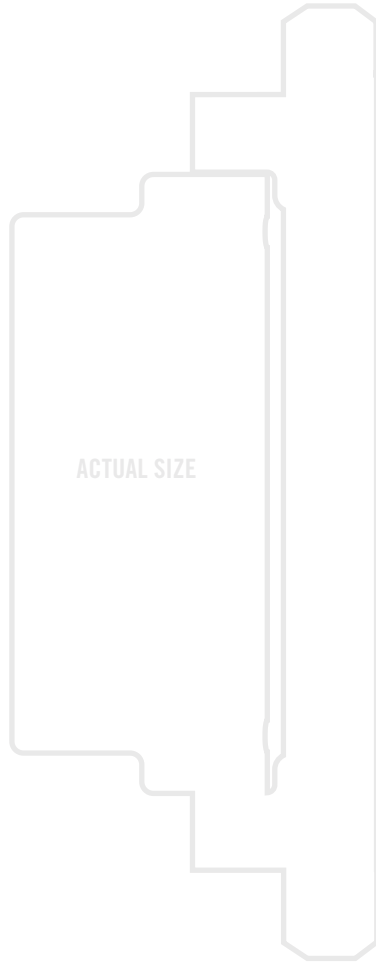
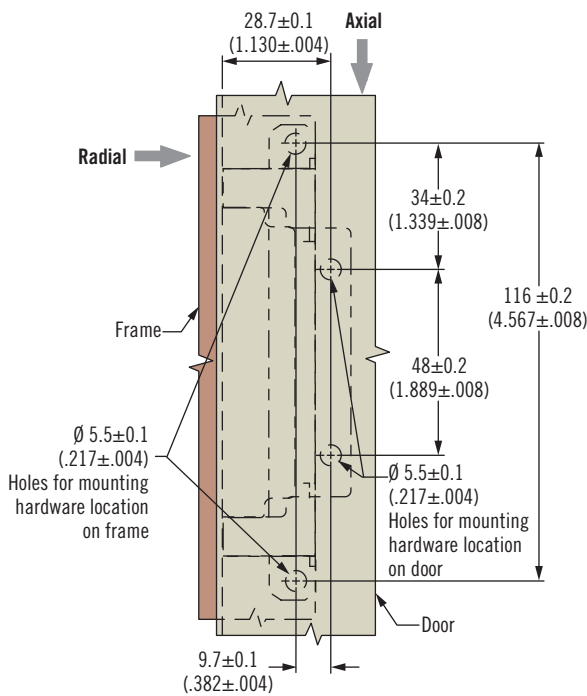
Notes

Mounting:

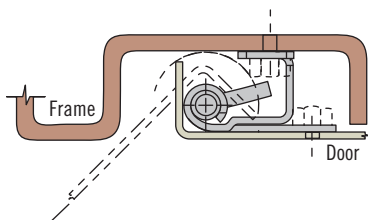
* Select the frame leaf with a value of **E** best suited to the configuration of your door. The dimension **E** + 0.6 (.02) = the distance from the outside surface of your frame to the inside surface of your door.

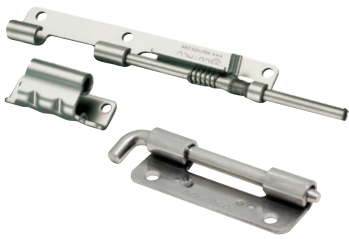


Series	Panel Preparations Dimensions			
	A	B	C	D
1	17.6 (.69)	10.9 (.43)	3.2 (.13)	132°
2	20.6 (.81)	12.7 (.50)	3.9 (.15)	125°
3	24 (.95)	15.3 (.60)	4.4 (.17)	118°



Additional Mounting Options





F6 Hinge

Removable style · Concealed · Heavy-duty

- High strength and durability
- Allows door removal without using tools
- Retractable pin version resists vibration and prevents pin loss

Material and Finish

Steel, zinc plated or stainless steel, natural

Performance Details

Steel

Radial load:

Maximum static load:

1000 N (225 lbf)

Average ultimate load:

2100 N (472 lbf)

Axial load:

Maximum static load:

2900 N (650 lbf)

Average ultimate load:

4900 N (1100 lbf)

Stainless Steel

Radial load:

Maximum static load:

1300 N (292 lbf)

Average ultimate load:

2800 N (629 lbf)

Axial load:

Maximum static load:

3600 N (809 lbf)

Average ultimate load:

6000 N (1350 lbf)

Operating temperature range:

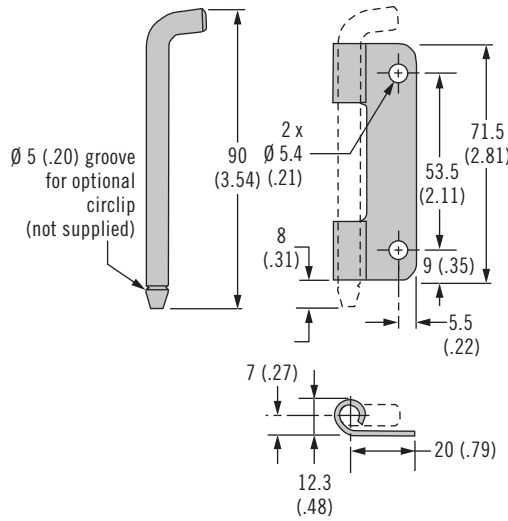
-40° C (-40° F) to 85° C (185° F)

Part Number

See table

Door Leaf

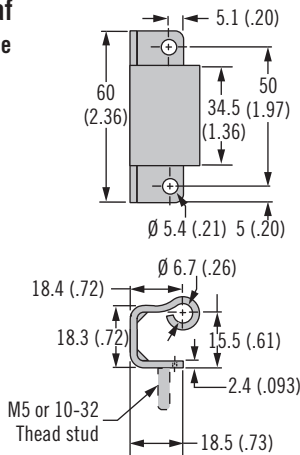
Removable Pin Style



Part Number		
Styles	Material	
	Steel	Stainless steel
Removable pin	F6-946	F6-946-5
Retractable pin type A	~	F6-941-5
Retractable pin type B	~	F6-942-5

Frame Leaf

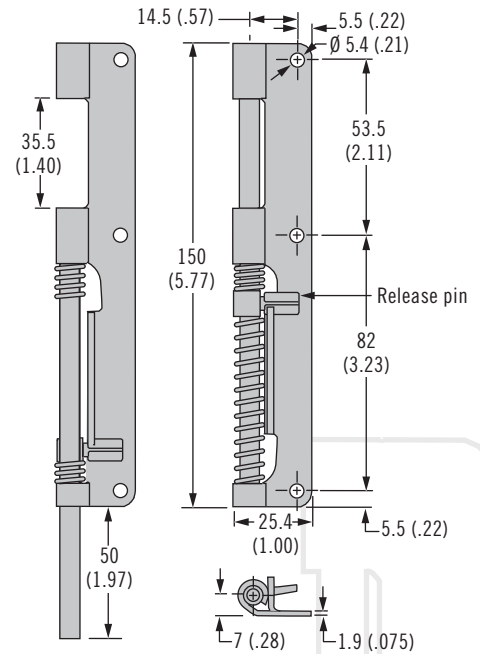
Formed Style



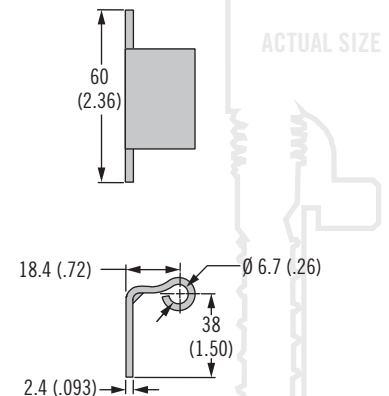
Part Number			
Style	Installation	Material	
		Steel	Stainless steel
Formed	Thru hole	F6-905	F6-905-5
Formed	M5 thread stud	F6-908	F6-908-5
Formed	10-32 thread stud	F6-907	F6-907-5
Flat	Weld	F6-904	F6-904-5

Retractable Pin Style

Type A shown, Type B mirror image



Flat Style



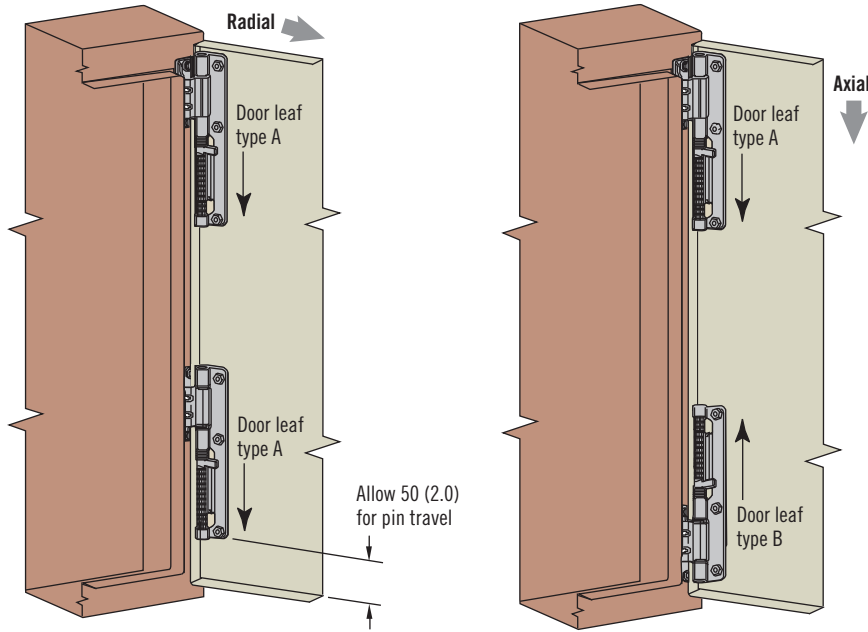
Other options available. For complete details on variety, part numbers, installation and specification, go to



www.southco.com/F6

Dimensions in millimeters (inch) unless otherwise stated

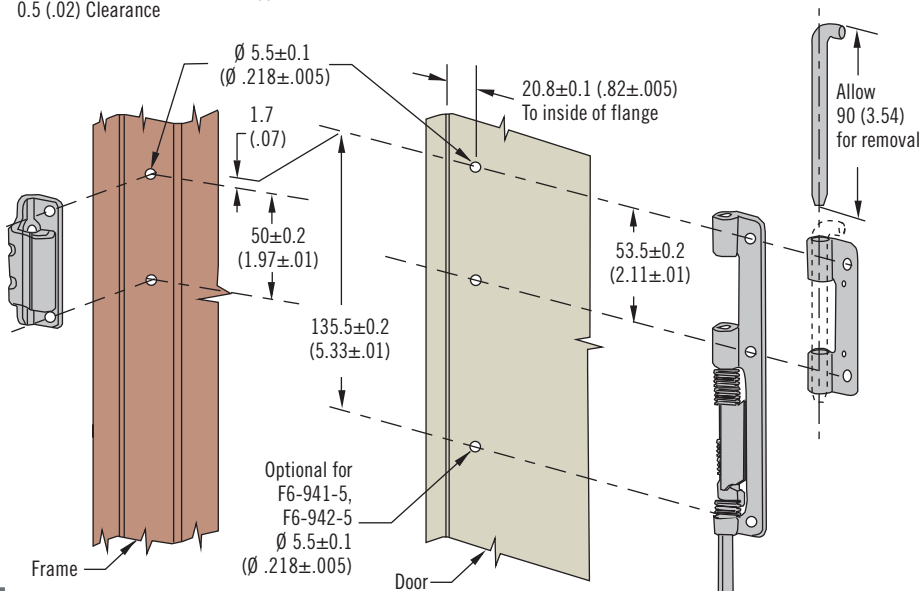
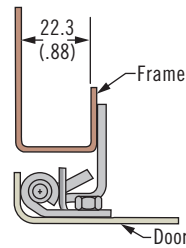
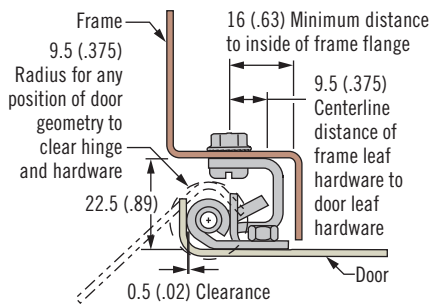
Formed Frame Leaf



Installation

Typical door and frame installation using formed frame leaf

Typical door and frame installation using flat frame leaf



Dimensions in millimeters (inch) unless otherwise stated

Installation Notes

Order separately 1 door leaf and 1 frame leaf for a complete assembly
 Screws not supplied.
 Hinge Leaves may be fastened to the door and the frame by: M5 (No. 10) hardware (machine screws are recommended) or by welding.

