

## **PRODUCT DISCONTINUATION NOTICE**

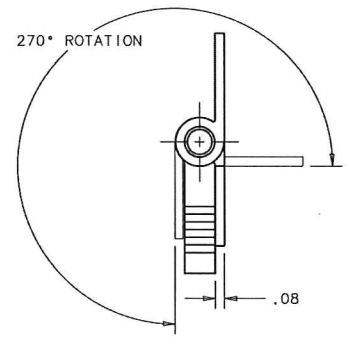
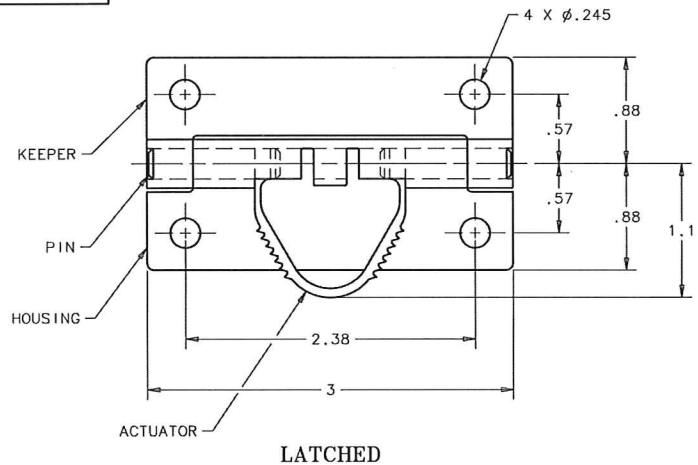
Please be advised that due to poor tooling condition and low demand, production of hinge F6-35-1 has ceased. There is no remaining stock so the hinge is now discontinued.

There is no direct replacement for hinge F6-35-1.

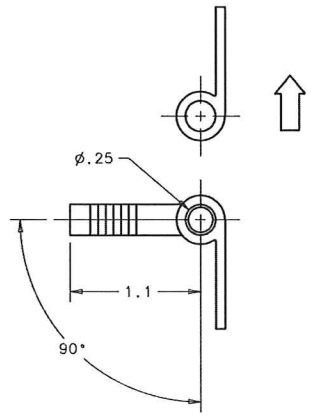
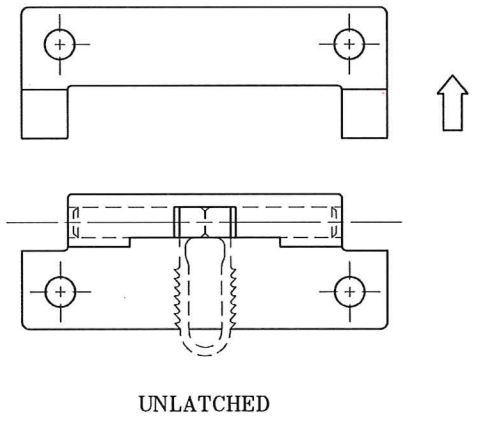
Please contact us if you should have any questions about the discontinuation of hinge F6-35-1.

PROPRIETARY ITEM  
 EXCEPT FOR USES EXPRESSLY GRANTED  
 IN WRITING, INFORMATION DISCLOSED  
 HEREIN IS CONFIDENTIAL AND ALL  
 RIGHTS, PATENT AND OTHERWISE,  
 ARE RESERVED BY SOUTHCO, INC.

REVISION HISTORY				
REV	DATE	DRAWN	CHECKED	DESCRIPTION



**OBSOLETE**  
 Record DWG  
 SEE DWG: DISCONTINUED  
 PER PRN: P2014-2011  
 Initials / Date: BSL / 709 2014



CAGE CODE: 83014

ACTUATOR	-	DELRIN	BLACK	
HOUSING	-	ABS	BLACK	
PIN	-	NYLON	BLACK	
KEEPER	-	ABS	BLACK	
HINGE ASSEMBLY	F6-35-1	-	-	
ITEM	PART NUMBER	MATERIAL	COLOR	
THIRD ANGLE PROJECTION				
ALL DIMENSIONS WITHOUT TOLERANCES ARE FOR REFERENCE ONLY.		<b>southco</b> CONNECT · CREATE · INNOVATE		
		TITLE <b>HINGE, RETRACTING PIN</b>		
INCHES		SIZE B	SYSTEM I-DEAS	DWG NO J-F6-35-1
VOLUME XXXXXmm <sup>3</sup>	MASS XXXXg	DRWN/CHKD PAP/MJS	DATE 11MAR2006	SCALE 1:1 SHEET 1 OF 1