

REV	DATE	DRAWN/CHKD	DESCRIPTION
M	23APR2003	VNI/ZHW	PRN: P2002-0883
N	01JUL2003	VNI/AMJ	PRN: P2003-0546
O	15JUL2005	RLR/AMD	PRN: P2005-0879
P	19APR2012	QMS/JED	PRN: P2012-0162

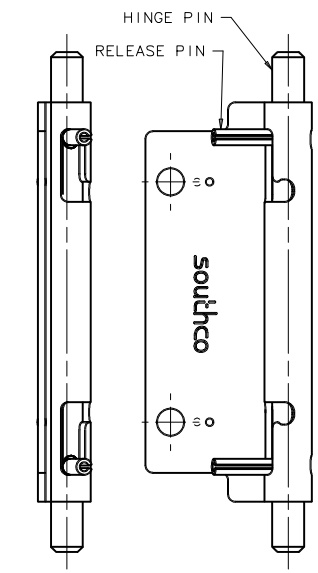
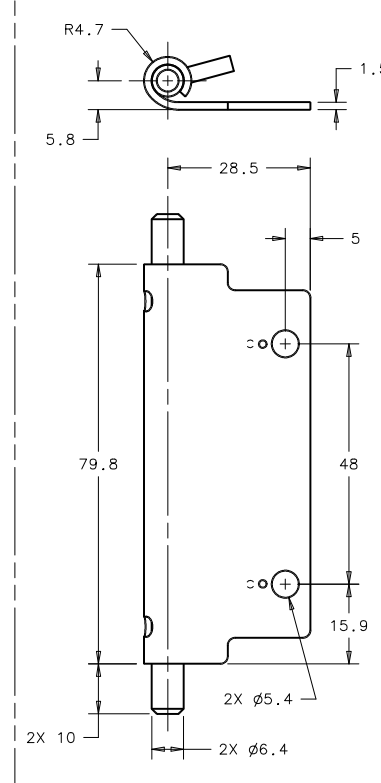
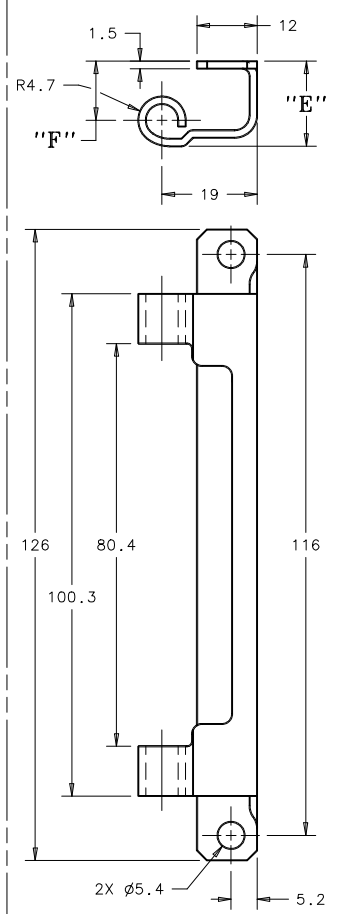
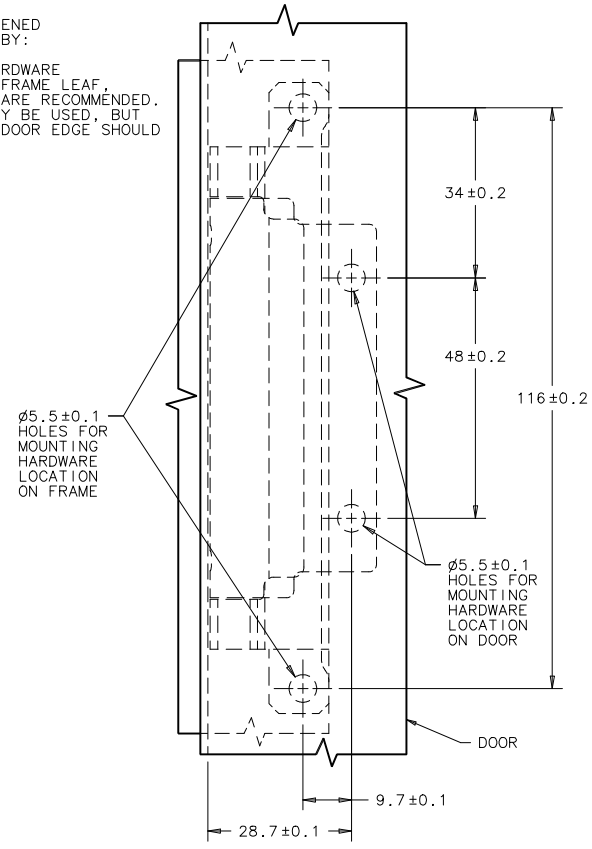
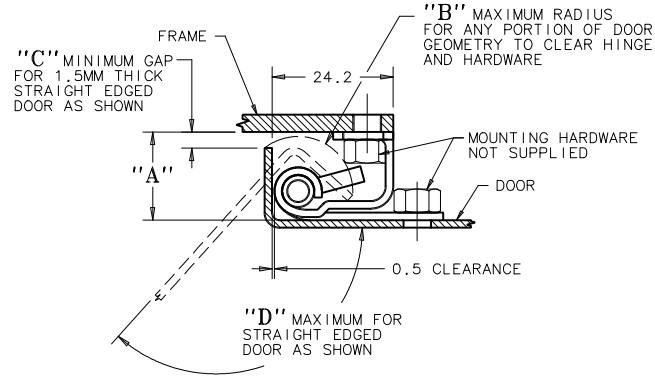
ASSEMBLY PART NUMBER	STEEL	FRAME LEAF PART NUMBER	STEEL	DOOR LEAF PART NUMBER	STEEL
F6-1	F6-901	F6-901-1	F6-940	F6-940-1	F6-940
F6-2	F6-2-1	F6-902-1	F6-940	F6-940-1	F6-940
F6-3	F6-3-1	F6-903-1	F6-940	F6-940-1	F6-940

"A"	"B"	"C"	"D"	"E"	"F"
17.6	10.9	132°	17	11.8	20
20.6	12.7	125°	20	14.8	20
24	15.3	118°	23.4	18.2	20

DRAWING NUMBER: J-F6-1  
SCALE: 1:1  
DATE: 21MAR94  
RES: MILL METERS  
THIRD ANGLE PROJECTION  
A3 PAPER SIZE

HINGES MAY BE FASTENED TO DOOR AND FRAME BY:  
 A. M5 OR No. 10 HARDWARE FOR MOUNTING FRAME LEAF. MACHINE SCREWS ARE RECOMMENDED. HEX JAM NUTS MAY BE USED, BUT CLEARANCE WITH DOOR EDGE SHOULD BE VERIFIED.  
 B. WELDING

\* THESE PART NUMBERS SPECIFY ASSEMBLIES PACKAGED 1 FRAME LEAF AND 1 DOOR LEAF PER BAG.  
 \*\* THESE PART NUMBERS SPECIFY BULK PACKAGED PARTS. FOR ONE COMPLETE ASSEMBLY, ORDER 1 FRAME LEAF AND 1 DOOR LEAF.



- NOTES:
- TWO HINGES MINIMUM REQUIRED ON A DOOR.
  - MATERIALS AND FINISHES (STEEL VERSION):
    - FRAME LEAF AND DOOR LEAF: 1010 STEEL, ZINC PLATE, CHROMATE DIP
    - HINGE PINS: STEEL, ZINC PLATE, CHROMATE DIP
    - RELEASE PINS: 420 STAINLESS STEEL, PASSIVATED
    - INTERNAL SPRING: TYPE 302 STAINLESS STEEL, PASSIVATED
  - MATERIALS AND FINISHES (STAINLESS VERSION):
    - FRAME LEAF AND DOOR LEAF: TYPE 304 STAINLESS STEEL, PASSIVATED
    - HINGE PINS: TYPE 303 STAINLESS STEEL, PASSIVATED PLUS CLEAR ORGANIC COATING
    - RELEASE PINS: TYPE 420 STAINLESS STEEL, PASSIVATED
    - INTERNAL SPRING: TYPE 302 STAINLESS STEEL, PASSIVATED