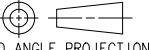


southco	PROPRIETARY ITEM - EXCEPT FOR USES EXPRESSLY GRANTED IN WRITING INFORMATION DISCLOSED HEREON IS CONFIDENTIAL AND ALL RIGHTS PATENT AND OTHERWISE ARE RESERVED BY SOUTHCO, INC.	EH OFFSET HINGE				DATE	DRAWN	CHKD	SCALE	DRAWING NUMBER
						12JUL2005	AJH		1:1	J-EH-6C-5V4

REV	DATE	DRAWN/CHKD	DESCRIPTION	ITEM	PART NUMBER	MATERIAL	FINISH
A	12JUL2005	AJH/RLR	PRN: P2005-0853	HINGE ASSEMBLY	EH-6C-5V4-38	-	-
B	12AUG2005	MJS/RLR	PRN: P2005-1047	LEAF	-	DIE CAST ZINC	CHROME PLATED
C	16SEP2005	MDY/AJH	PRN: P2005-1234	BRACKET	-	DIE CAST ZINC	CHROME PLATED
D	11JAN2006	RLR/MJS	PRN: P2006-0060	PIN	-	STAINLESS STEEL	NATURAL
E	16DEC2014	MJS/JCG	PRN: P2014-2558	BUSHING (2)	-	DELTRIN	NATURAL - WHITE
				HINGE ASSEMBLY	EH-6C-5V4-50	-	-
				LEAF	-	DIE CAST ZINC	BLACK POWDER COATED
				BRACKET	-	DIE CAST ZINC	BLACK POWDER COATED
				PIN	-	STAINLESS STEEL	NATURAL
				BUSHING (2)	-	DELTRIN	NATURAL - WHITE

MILLIMETERS

ALL DIMENSIONS WITHOUT TOLERANCES ARE FOR REFERENCE ONLY.

 THIRD ANGLE PROJECTION

A4 PAPER SIZE

SHEET 1 OF 2

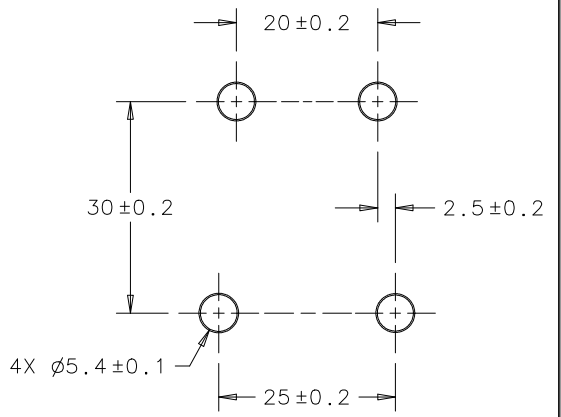
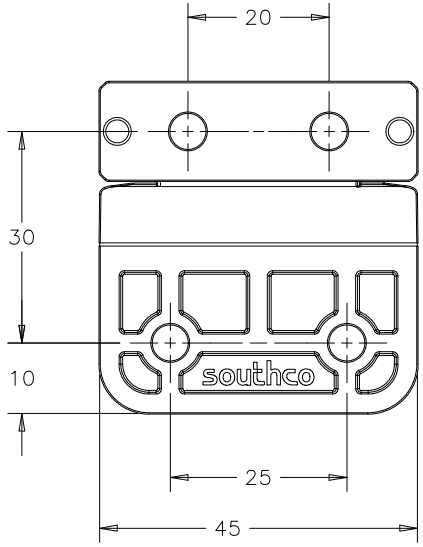
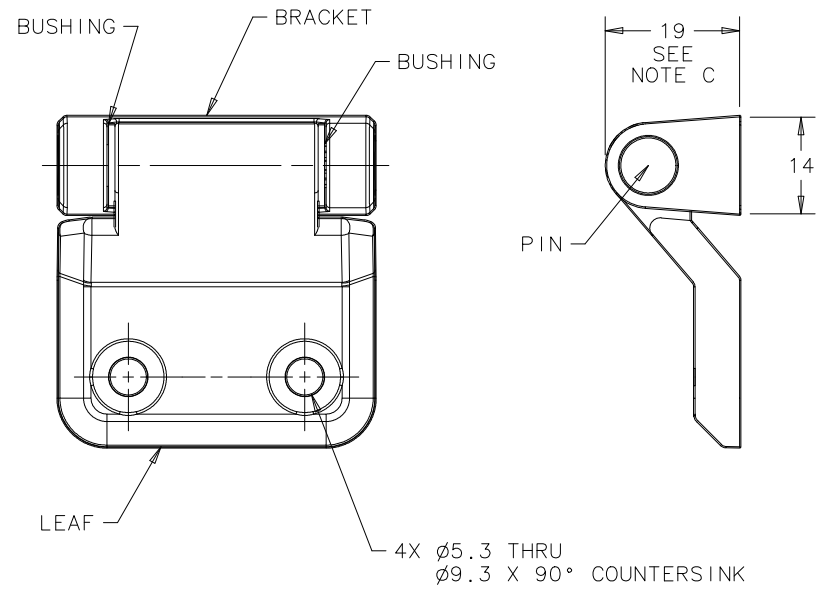
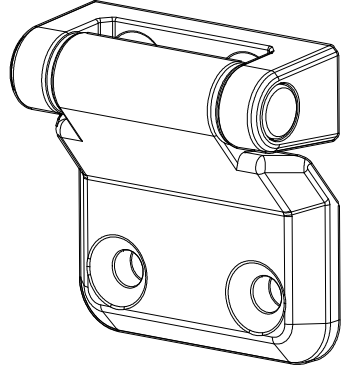
NOTES:

A. COSMETIC SPECIFICATION:
 ALL SURFACES ARE TO CONFORM TO A CLASS "B" DESIGNATION UNLESS OTHERWISE INDICATED AS DESCRIBED IN SOUTHCO COSMETIC SPECIFICATIONS:

S-121-01 FOR CHROME PLATING
 S-121-03 FOR POWDER COATING

B. PACKAGING: TRAY PACKAGED SHIPPED (25) PER BOX.

C. FOR LARGER OFFSET DIMENSION, USE EH-6C-B-XX SPACER.
 (SOLD SEPARATELY)



PANEL PREPARATION

