



EH Hinge

Surface mount

- Multiple size and mounting options
- Concealed mounting hardware

Material and Finish

Leaf: Zinc alloy black powder coated, chrome plated or nylon black

Pin: Stainless steel

Thread studs: Steel, zinc plated

Performance Details

Size	Radial Load	Axial Load
40 Zinc	1330 N (298 lbf)	2220N (500 lbf)
50 Zinc	2140 N (481 lbf)	3560 N (800 lbf)
50 Nylon	890 N (200 lbf)	1230N (276 lbf)

Installation Notes

Countersunk version:

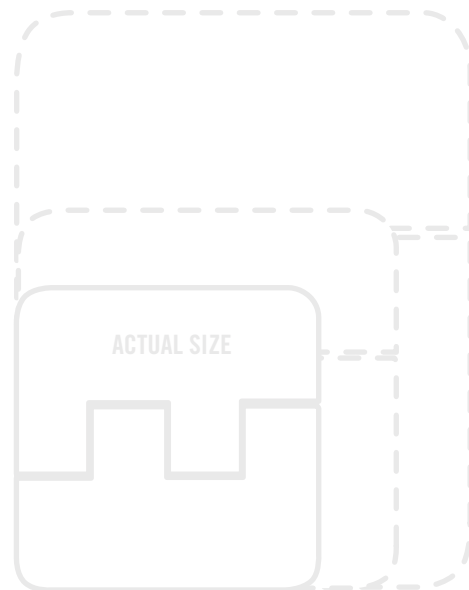
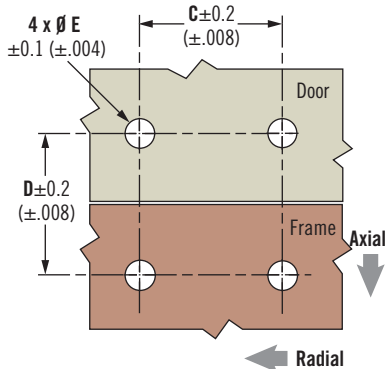
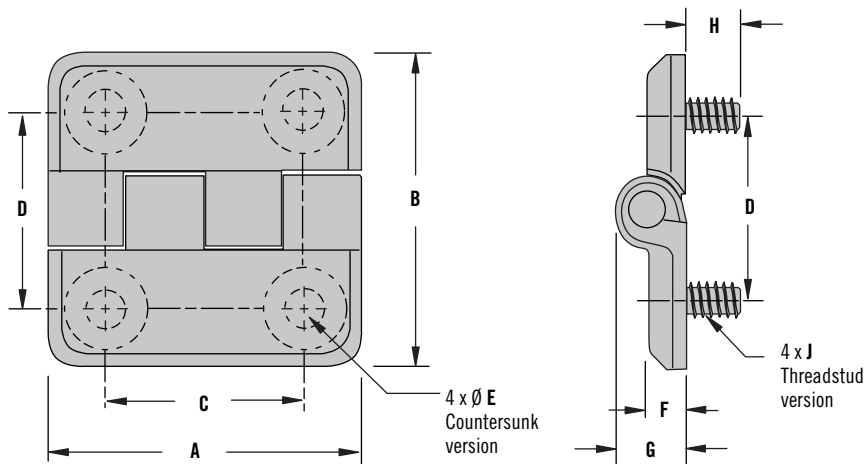
40 Size M5 (No. 10) CSK screw

50/60 Size M6 (No. 1/4 - 20) CSK screw (not supplied)

Threadstud version:

40 Size M5 nuts (not supplied)

50/60 Size M6 nuts (not supplied)



Part Number

See table

A	B	Thread Stud Part Number			C	D	Ø E	F	G	H	Thread stud J
		Zinc chrome	Zinc black	Nylon black							
40 (1.57)		EH-5A-4G4-38	EH-5A-4G4-50	~	25 (.984)	5.4 (.213)	5 (.20)	9 (.35)	8.5 (.35)	M5	
50 (1.97)		EH-6A-5G5-38	EH-6A-5G5-50	EH-6A-5G5-20	30 (1.181)	6.4 (.252)	6 (.24)	11 (.43)	8 (.31)	M6	

A	B	Countersunk Thru-Hole Part Number			C	D	Ø E	F	G
		Zinc chrome	Zinc black	Nylon black					
40 (1.57)		EH-5A-4V4-38	EH-5A-4V4-50	~	25 (.984)	5.4 (.213)	5 (.20)	9 (.35)	
50 (1.97)		EH-6A-5V5-38	EH-6A-5V5-50	EH-6A-5V5-20	30 (1.181)	6.4 (.252)	6 (.24)	11 (.43)	
60 (2.36)	76 (2.99)	EH-7A-6V8-38	EH-7A-6V8-50	~	36 (1.42)		56 (2.20)	8 (.31)	15 (.59)

Other options available. For complete details on variety, part numbers, installation and specification, go to

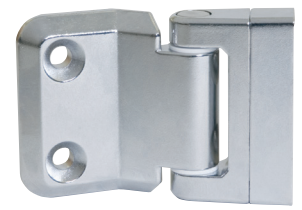


www.southco.com/EH

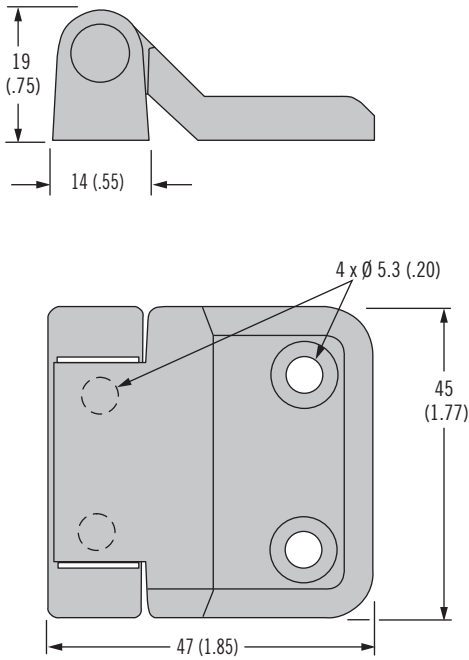
Dimensions in millimeters (inch) unless otherwise stated

EH Hinge

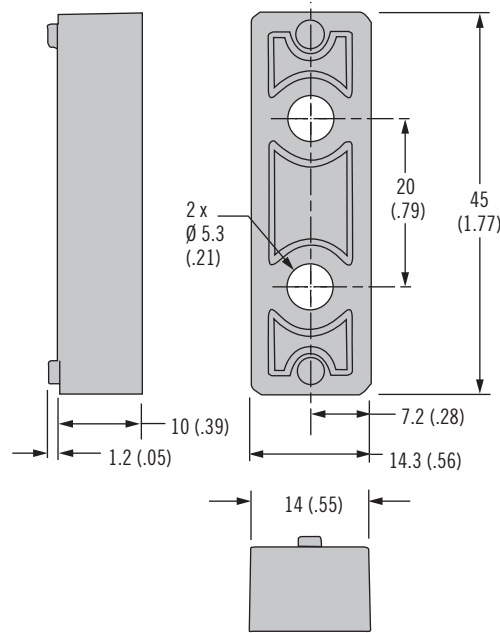
Surface mount · Offset



Hinge



Spacer



- Allows 180 degree opening
- Offset pivot maximizes cabinet access
- Ideal for closely spaced enclosures



Material and Finish

Zinc alloy, black powder coated or bright chrome plated
Pin: Stainless steel

Product Strength Guidelines

Radial load:

Maximum static load:
2670 N (600 lbf)

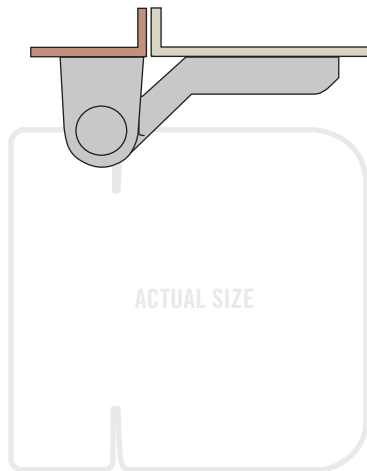
Axial load:

Maximum static load:
2670 N (600 lbf)

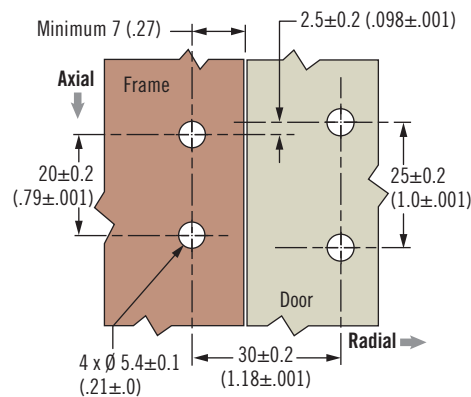
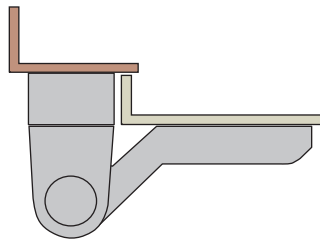
Installation Notes

Screws not supplied.
Attach hinge with M5 (No. 10) CSK

Standard Flush Mount



Offset Mount with Spacer

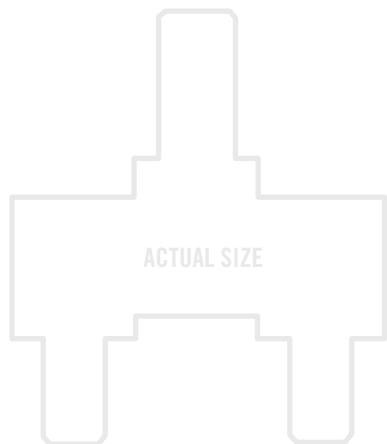
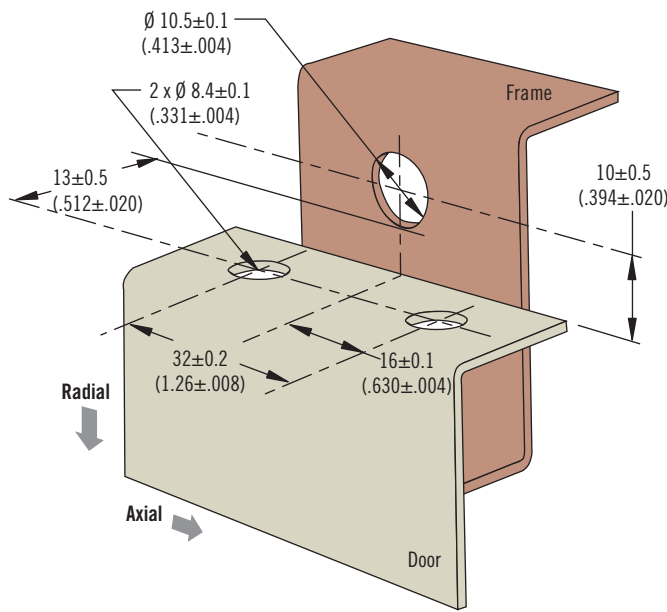
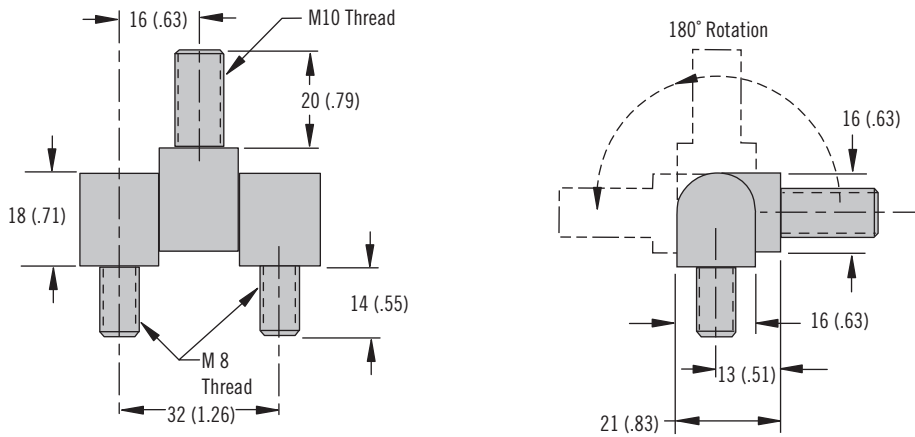


Finish	Part Number	
	Hinge	Spacer
Chrome	EH-6C-5V4-38	EH-6C-B-38
Black	EH-6C-5V4-50	EH-6C-B-50

Part Number

See table

EH Hinge In-line



- Robust design withstands severe applications
- Concealed mounting hardware for added security
- Simple 3 hole installation



Material and Finish

Brass and steel, chrome plated

Performance Details

Radial load:

Maximum working load:
5000 N (1120 lbf)

Axial load:

Maximum working load:
5000 N (1120 lbf)

Installation Notes

Screws not supplied.

Attach with M10 and M8 mounting nuts.

M10 stud Maximum frame thickness: 10 (.39)

M8 stud Maximum door thickness: 7 (.276)

Part Number

EH-8R-5G-38

Part Number

See table