

REVISION HISTORY			
REV	DATE	BY	DESCRIPTION
C	27SEPT2012	ZNP/WJB	PRN:P2012-1303

NOTES:

A. CABLE
 UL 2464 [24AWG(7/0.20 TC)*6C]*1C,
 UNSHIELDED, -30 TO 105° C
 BLACK PVC JACKET

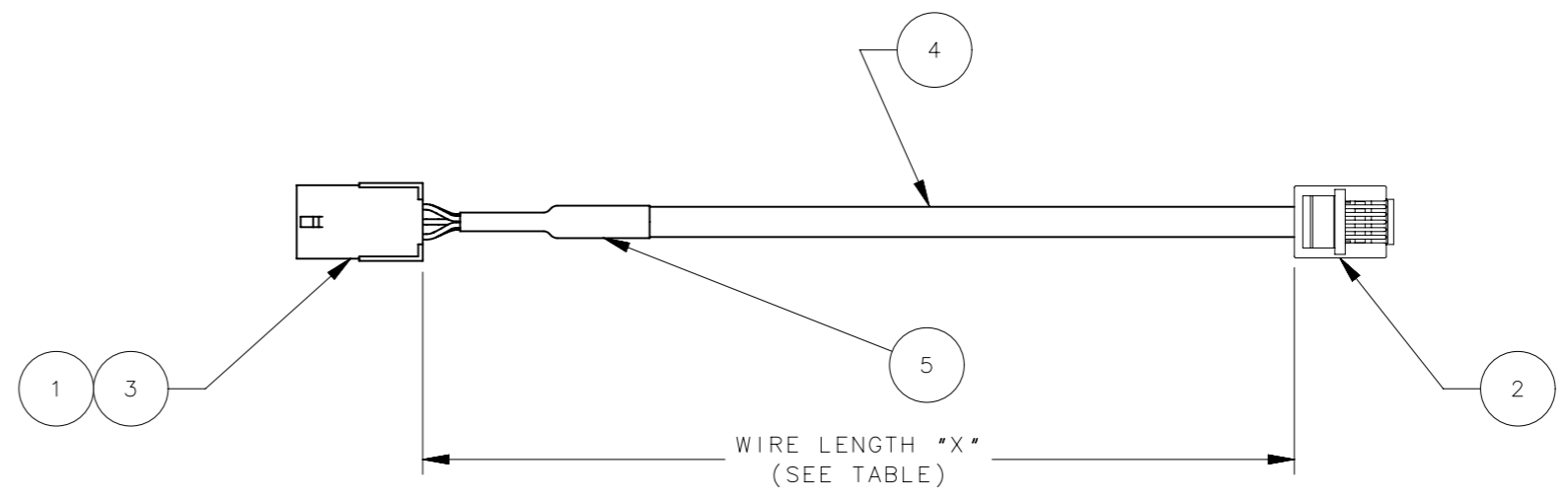
B. WIRE DESIGNATION TABLE

WIRE COLOR	J1	J2
BLACK	1	1
BROWN	2	2
ORANGE	3	4
RED	4	3
GREEN	5	5
BLUE	6	6

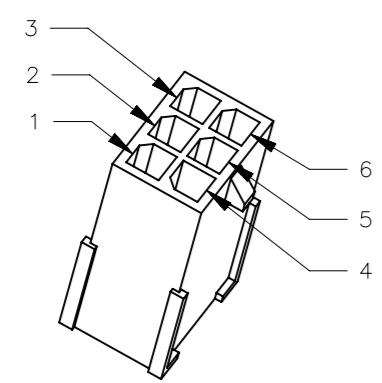
C. MATERIALS COMPLY WITH RoHS DIRECTIVE.

D. ALL TERMINATIONS TO BE IN ACCORDANCE WITH MANUFACTURER'S SPECIFICATIONS.

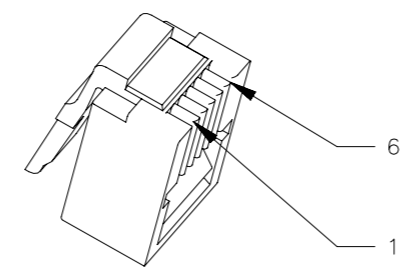
E. COIL AND BAG FINISHED ASSEMBLY IN SEALED POLYPROPYLENE BAG.



WIRE LENGTH TABLE	
"X"	LENGTH (mm)
A	460
1	1000
2	2000
3	3000
4	4000
5	5000



J1 PIN DESIGNATION
(2:1 SCALED VIEW)



J2 PIN DESIGNATION
(2:1 SCALED VIEW)

NO.	COMPONENT	QTY	PART NO.	SPECIFICATIONS
5	HEAT SHRINKABLE TUBING	1	-	BLACK
4	CABLE	-	-	SEE NOTE A
3	CONTACT (J1)	6	MOLEX: 43031-0001 OR 43031-0007 (OR APPROVED EQUIVALENT)	-
2	CONNECTOR (J2)	1	MOLEX: 90075-0031 (OR APPROVED EQUIVALENT)	-
1	CONNECTOR (J1)	1	MOLEX: 43020-0601 (OR APPROVED EQUIVALENT)	-
-	ASSEMBLY	1	EA-W20-X01-51	-

THIRD ANGLE PROJECTION			
MILLIMETERS [IN]			
TOLERANCES UNLESS OTHERWISE NOTED		DESCRIPTION	
SURFACE AREA XXXXXmm ²		WIRE HARNESS	
VOLUME XXXXXmm ³		SIZE A3	SYSTEM NX
PROPRIETARY ITEM		DWG NO. J-EA-W20-X01-51	
EXCEPT FOR USES EXPRESSLY GRANTED IN WRITING, INFORMATION DISCLOSED HEREON IS CONFIDENTIAL AND ALL RIGHTS, PATENT AND OTHERWISE, ARE RESERVED BY SOUTHCO, INC.		DRAWN BY ACH/CLB	DATE 27JUN2010
PER ASME Y14.5M-1994		SCALE 1:1	SHEET 1 OF 1