

| REV | DATE | DRAWN/CHKD | DESCRIPTION |
|-----|-----------|------------|-----------------|
| K | 21FEB2011 | ACH/MSR | PRN: P2011-0239 |
| L | 03SEP2013 | CMS/MS | PRN: P2013-1671 |
| M | 02OCT2014 | CMS/MWD | PRN: P2014-1928 |
| N | 03MAR2015 | CMS/MGG | PRN: P2015-0432 |
| O | 01MAY2015 | CMS/LT | PRN: P2015-0839 |

PART NUMBER:

E5-5-**WW** X - **YY** 1- **R K CCC**

USED ONLY WHEN "WW" IS 41 OR 42

MILLIMETERS

ALL DIMENSIONS WITHOUT TOLERANCES ARE FOR REFERENCE ONLY.

THIRD ANGLE PROJECTION

A3 PAPER SIZE

SHEET 1 OF 3

- NOTES:
- INSPECT PARTS FROM 0.5 METERS VIEWING DISTANCE FOR 8 SECONDS.
 - NO SURFACE IMPERFECTION LARGER THAN 1.5mm IN DIAMETER, HEIGHT, OR WIDTH IS PERMITTED ON THE HOUSING HEAD OR TOP OF LOCK PLUG.
 - THERE IS A MAXIMUM OF 4 SURFACE IMPERFECTIONS OF ANY SIZE ALLOWED.
 - FOR CAM TYPE SEE GRIP TABLE IN LOWER RIGHT.
 - FOR KEY INFORMATION REFER TO J-PK-10 AND J-PK-13.
 - FOR INSTALLATION SEE DRAWING J-E5-5-B
 - UU CAM TYPE INDICATES THAT CAM IS ORDERED AND SHIPPED SEPARATELY.
 - KEY SET OPTIONS:
WHEN WW=42
KD1=RS001-RS125 (125 PIECE SET).
KD2=RS126-RS250 (125 PIECE SET).
KD3=RS251-RS375 (125 PIECE SET).
KD4=RS376-RS500 (125 PIECE SET).
AVAILABLE FOR E5-5-425-UU1-12KDX AND E5-5-422-UU1-12KDX.

WHEN WW=41
MK1=LS001-LS125 (125 PIECE SET)
MK2=LS126-LS250 (125 PIECE SET)
MK3=LS251-LS375 (125 PIECE SET)
MK4=LS376-LS500 (125 PIECE SET)
AVAILABLE FOR E5-5-415-UU1-12MKX AND E5-5-412-UU1-12MKX.

ACTUATION STYLE KEY - LOCKABLE: (SEE ACTUATION STYLE DETAILS BELOW)

CAM STYLE (SEE NOTE 4)

KEY REMOVAL: 1 = LOCKED/UNLOCKED POSITION

SEALING OPTION: 1 = O-RING AND GASKET INCLUDED FOR IP-66/NEMA 4 RATING

HOUSING FINISH: 2 = BRIGHT CHROME PLATE 5 = BLACK POWDER COAT

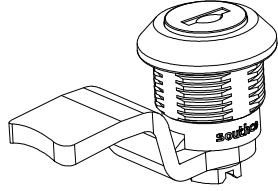
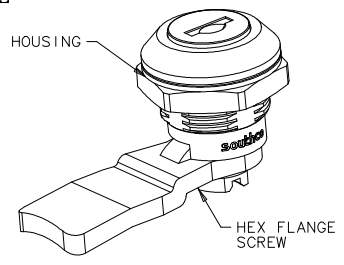
KEY OPTIONS:
0 = NO KEYS INCLUDED, ORDER SEPARATELY
1 = 1 KEY PER LOCK (FLAT KEY)
2 = 2 KEYS PER LOCK (FLAT KEYS)
3 = 1 KEY PER LOCK (PLASTIC OVERMOLDED)
4 = 2 KEYS PER LOCK, (PLASTIC OVERMOLDED)

"LS" OR "RS" KEYCODES:
001
500
MK1 OR KD1
MK2 OR KD2
MK3 OR KD3
MK4 OR KD4
(SEE NOTE 8)

WW ACTUATION STYLE

- WW - 40 KEYED ALIKE, CH751, STAINLESS STEEL CAP, BRASS NICKEL PLATED DUST SHUTTER, 45 KEYED ALIKE, CH751, NO CAP, NO DUST SHUTTER, BLACK POWDER COATED LOCK FACE.
- 41 - MASTER KEYED, KEYED DIFFERENTLY (*LS* CODES) STAINLESS STEEL CAP, BRASS NICKEL PLATED DUST SHUTTER.
42 - NONMASTER KEYED, KEYED DIFFERENTLY (*RS* CODES) STAINLESS STEEL CAP, BRASS NICKEL PLATED DUST SHUTTER.
- 80 KEYED ALIKE, WN04, STAINLESS STEEL CAP, BRASS NICKEL PLATED DUST SHUTTER.
81 KEYED ALIKE, WN04, NO CAP, NO DUST SHUTTER, BLACK POWDER COATED LOCK FACE.

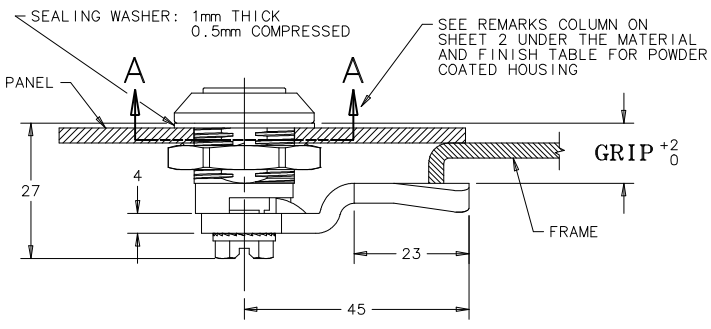
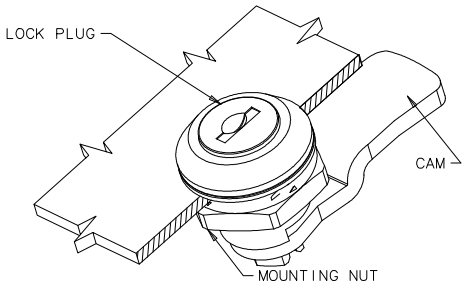
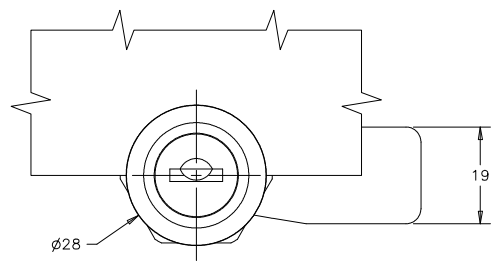
YY CAM STYLE



YY = SEE TABLE ASSEMBLIES SHIPPED WITH CAM (NOT STOCKED)

YY = UU
CAM ORDERED AND SHIPPED SEPARATELY

| YY | GRIP |
|----|------|
| 03 | 4mm |
| 04 | 6mm |
| 05 | 8mm |
| 06 | 10mm |
| 07 | 12mm |
| 08 | 14mm |
| 09 | 16mm |
| 10 | 18mm |
| 11 | 20mm |
| 12 | 22mm |
| 13 | 24mm |
| 14 | 26mm |
| 15 | 28mm |
| 16 | 30mm |
| 17 | 32mm |
| 18 | 34mm |
| 19 | 36mm |
| 20 | 38mm |
| 21 | 40mm |
| 22 | 42mm |



PART NUMBER E5-5-40X-071-1K SHOWN

| REV | DATE | DRAWN/CHKD | DESCRIPTION |
|-----|-----------|------------|-----------------|
| K | 21FEB2011 | ACH/MSR | PRN: P2011-0239 |
| L | 03SEP2013 | CMS/MS | PRN: P2013-1671 |
| M | 02OCT2014 | CMS/MWD | PRN: P2014-1928 |
| N | 03MAR2015 | CMS/MGG | PRN: P2015-0432 |
| O | 01MAY2015 | CMS/LT | PRN: P2015-0639 |

MILLIMETERS

ALL DIMENSIONS WITHOUT TOLERANCES ARE FOR REFERENCE ONLY.

THIRD ANGLE PROJECTION

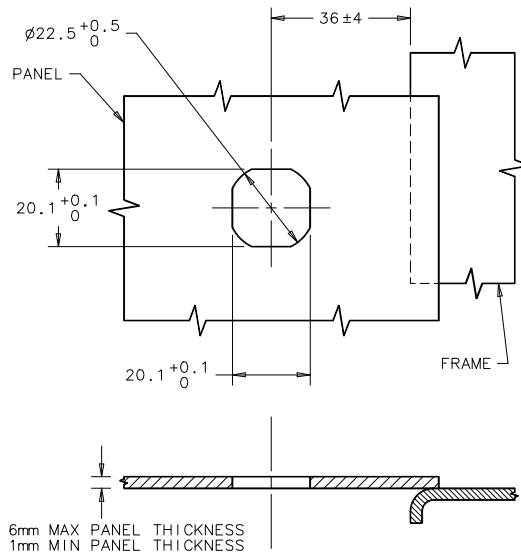
A3 PAPER SIZE

SHEET 2 OF 3

MATERIAL AND FINISH

| COMPONENT | MATERIAL DESCRIPTION | FINISH DESCRIPTION | REMARKS |
|------------------|----------------------|-----------------------------------|---|
| LOCK PLUG | DIE CAST ZINC | CHROMATE WITH STAINLESS STEEL CAP | INCLUDES NICKEL PLATED BRASS DUST SHUTTER |
| | | BLACK POWDER COATED | NO CAP, NO DUST SHUTTER |
| HOUSING | DIE CAST ZINC | CHROME PLATED | |
| | | BLACK POWDER COATED | HEAD IS POWDER COATED, ABOVE SECTION A-A, (2 THREADS MAX) |
| CAM | STEEL | ZINC PLATE, BRIGHT CHROMATE | |
| O-RING | NITRILE | BLACK | |
| SEALING WASHER | POLYURETHANE | BLACK | |
| HEX FLANGE SCREW | LOW CARBON STEEL | ZINC PLATE, BRIGHT CHROMATE | |
| MOUNTING NUT | DIE CAST ZINC | ZINC PLATE, BRIGHT CHROMATE | |

PANEL PREPARATION



| southco | | PROPRIETARY ITEM - EXCEPT FOR USES EXPRESSLY GRANTED IN WRITING INFORMATION DISCLOSED HEREON IS CONFIDENTIAL AND ALL RIGHTS PATENT AND OTHERWISE ARE RESERVED BY SOUTHCO, INC. | |
|----------------|-----------|--|-----------------|
| REV | DATE | DRAWN/CHKD | DESCRIPTION |
| K | 21FEB2011 | ACH/MSR | PRN: P2011-0239 |
| L | 03SEP2013 | CMS/MS | PRN: P2013-1671 |
| M | 02OCT2014 | CMS/MWD | PRN: P2014-1928 |
| N | 03MAR2015 | CMS/MGG | PRN: P2015-0432 |
| O | 01MAY2015 | CMS/LT | PRN: P2015-0639 |

E5 QUAD LATCH (KEY LOCKABLE)
M22 X 23 HOUSING

| | | | | |
|-----------|-------|------|-------|----------------|
| DATE | DRAWN | CHKD | SCALE | DRAWING NUMBER |
| 21APR2003 | DLH | | 1:1 | J-E5-5 |

MILLIMETERS

ALL DIMENSIONS WITHOUT TOLERANCES ARE FOR REFERENCE ONLY.

THIRD ANGLE PROJECTION

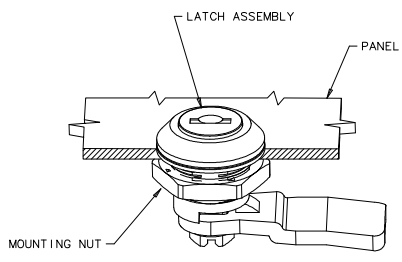
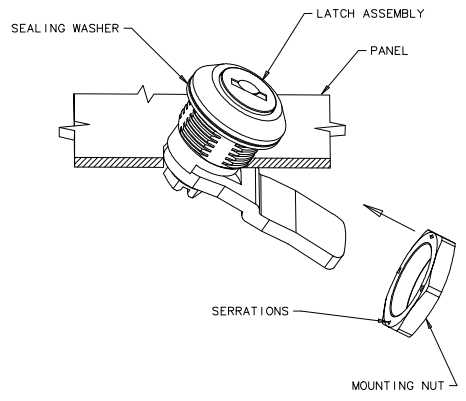
A3 PAPER SIZE

SHEET 3 OF 3

INSTALLATION METHOD 1

USE WHEN GRIP IS EQUAL TO OR EXCEEDS PANEL THICKNESS BY 9mm

1. PLACE SEALING WASHER ONTO LATCH HOUSING.
2. TILT LATCH THROUGH MOUNTING HOLE.
3. INSTALL MOUNTING NUT AND TIGHTEN TO 10 N m MAX.

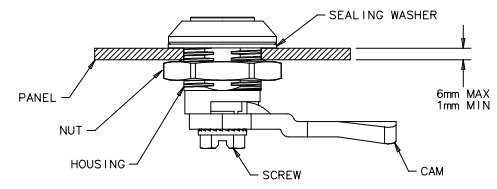
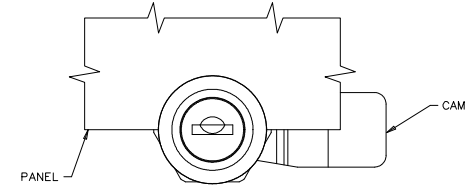
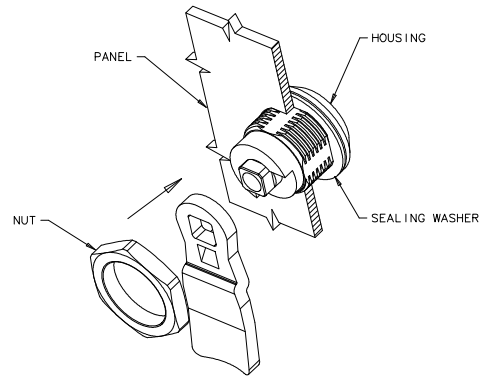
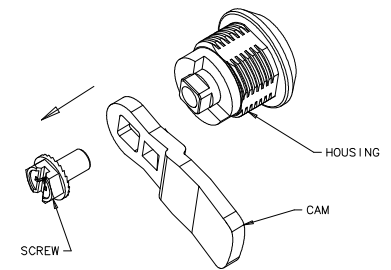


PART NUMBER E5-5-40X-131-1K SHOWN

INSTALLATION METHOD 2

REQUIRED WHEN GRIP DOES NOT EXCEED PANEL THICKNESS BY 9mm

1. REMOVE SCREW FROM HOUSING, DETACHING CAM FROM LATCH ASSEMBLY.
2. PLACE SEALING WASHER ONTO LATCH HOUSING AND PLACE THROUGH MOUNTING HOLE.
3. INSTALL MOUNTING NUT AND TIGHTEN TO 10 N m MAX.
4. RE-ATTACH CAM TO LATCH ASSEMBLY. ASSURE THAT CAM IS ORIENTED TO KEYPATH OPENING AS SHOWN BELOW.
5. INSTALL SCREW AND TIGHTEN TO 5 N m MAX. USING 10mm HEX, PHILLIPS OR SLOT



PART NUMBER E5-5-40X-051-1K SHOWN