

E4 Push-to-Close Latch

Push-to-open · Touch latch · Small

- Concealed latch points
- Door ejection feature
- Snap-in installation

Material and Finish

Latch and keeper: Acetal, black
Alignment guide: Acetal, white

Performance Details

Average tensile load: 15 N (3.5 lbf)

Operating temperature range:
-40°C (-40°F) to 105°C (220°F)

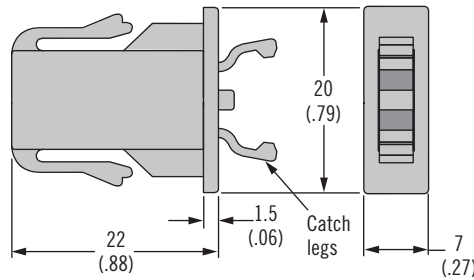
Flammability rating: UL94-HB

Installation Notes

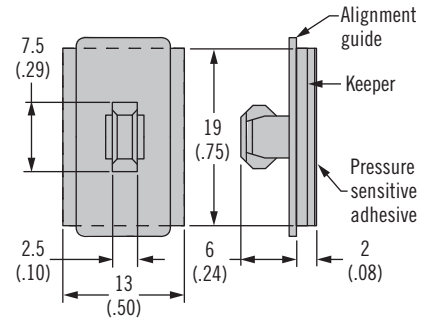
Be sure the mounting surface is clean and capable of retaining a satisfactory adhesive bond.

Self-adhesive keepers are designed to function under intermittent break-away loads

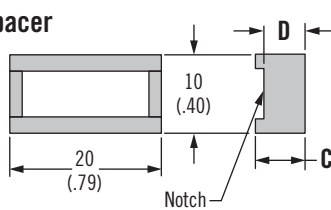
Latch



Keeper Assembly

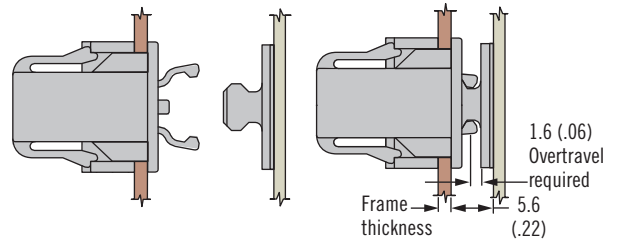


Spacer



Unlatched

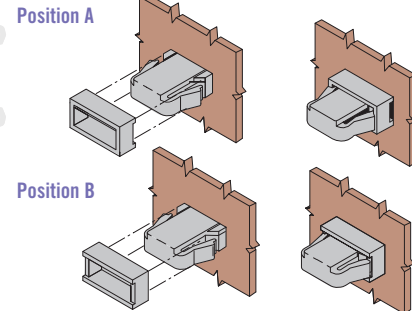
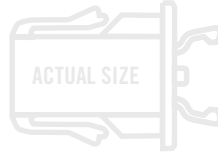
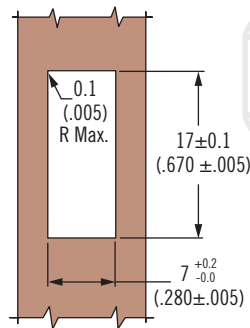
Latched



Installation

1. Prepare frame. Snap latch into place.

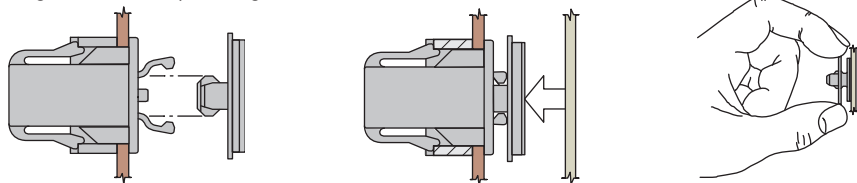
2. Install spacer (If required).



3. With alignment guide in place, engage keeper with latch. (If catch legs are retracted, push them into the latch housing to release before proceeding).

4. Peel protective backing from keeper. Close door against adhesive.

5. Remove alignment guide from keeper and discard.



Part Number

See table

Frame Thickness		Part Number	Spacer Position Installed	Spacer Thickness		Spacer Color
Minimum	Maximum			C	D	
0.8 (.030)	1 (.040)	E4-10-102-10	A	7.5 (.295)	6.9 (.270)	Black
1.4 (.055)	1.7 (.065)		B			
1.8 (.070)	2 (.080)	E4-10-103-10	A	6.5 (.255)	5.3 (.210)	Natural
2.9 (.115)	3.2 (.125)		B			
4.6 (.182)	4.9 (.192)	E4-10-104-10	A	3.6 (.143)	2 (.080)	Gray
6.2 (.245)	6.5 (.255)		B			
8.1 (.320)	8.6 (.340)	E4-10-101-10	Spacer not required			

Other options available. For complete details on variety, part numbers, installation and specification, go to



www.southco.com/E4

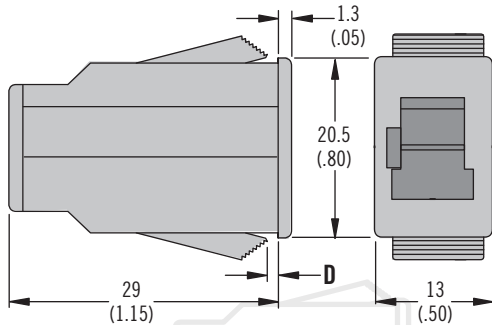
Dimensions in millimeters (inch) unless otherwise stated

E4 Push-to-Close Latch

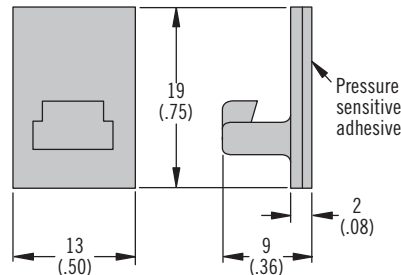
Push-to-open · Touch latch · Large



Latch

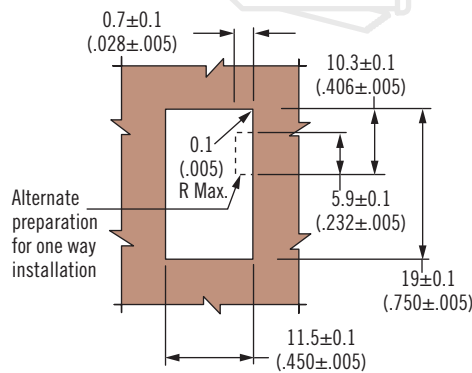


Keeper Assembly

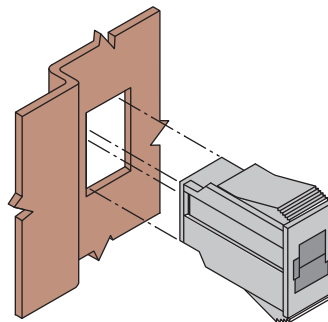


Installation

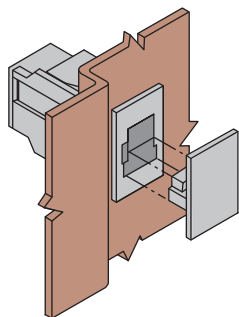
1. Prepare frame



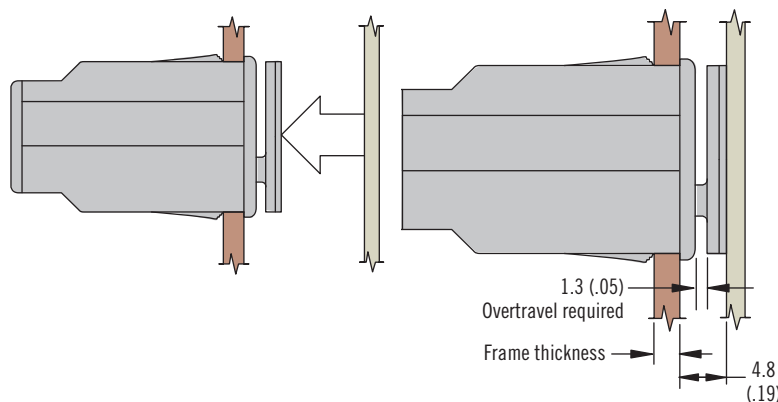
2. Snap latch into place



3. Re-engage keeper with latch



4. Peel protective backing from keeper
Close door against adhesive



- Concealed latch points
- Door ejection feature
- Snap-in installation

Material and Finish

Latch and keeper: Acetal, black and thermoplastic polyester, black

Performance Details

Average tensile load:

Self-adhesive keeper: 50 N (11 lbf)

Integrally molded keeper:

120 N (27 lbf)

Operating temperature range:

-40°C (-40°F) to 105°C (220°F)

Flammability rating: UL94-HB

Installation Notes

Be sure the mounting surface is clean and capable of retaining a satisfactory adhesive bond.

Keeper can be molded into application door

Self-adhesive keepers are designed to function under intermittent break-away loads

Part Number

See table

Frame Thickness		D	Part Number
Minimum	Maximum		
1 (.04)	3 (.12)	0.9 (.035)	E4-10-201-10
3 (.12)	5 (.20)	2.9 (.115)	E4-10-202-10
5 (.20)	7 (.28)	4.9 (.196)	E4-10-203-10

Other options available. For complete details on variety, part numbers, installation and specification, go to

