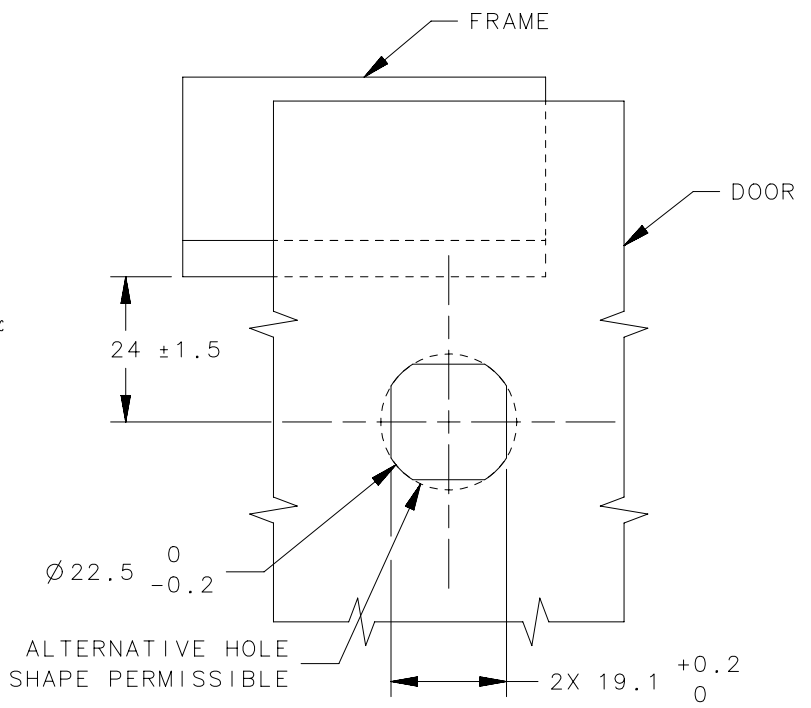
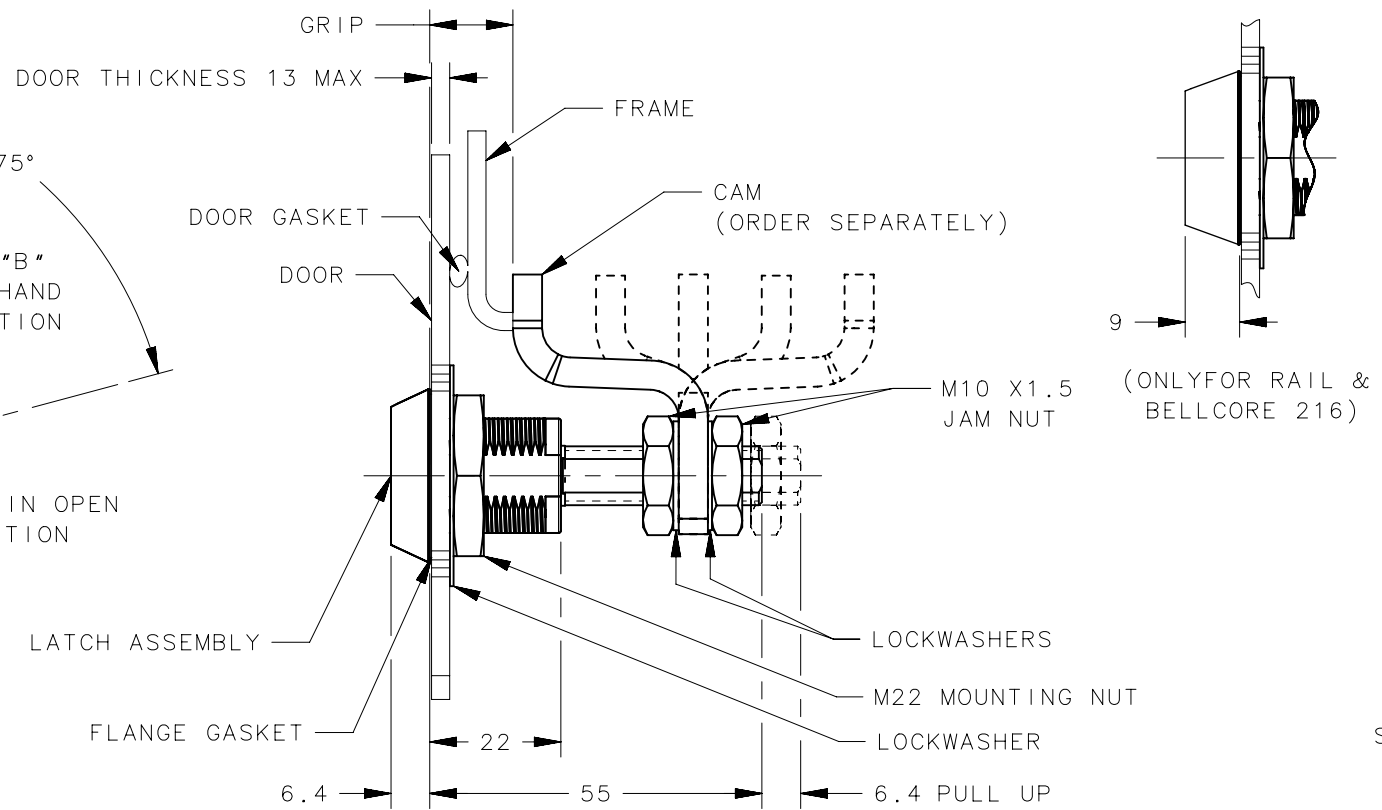
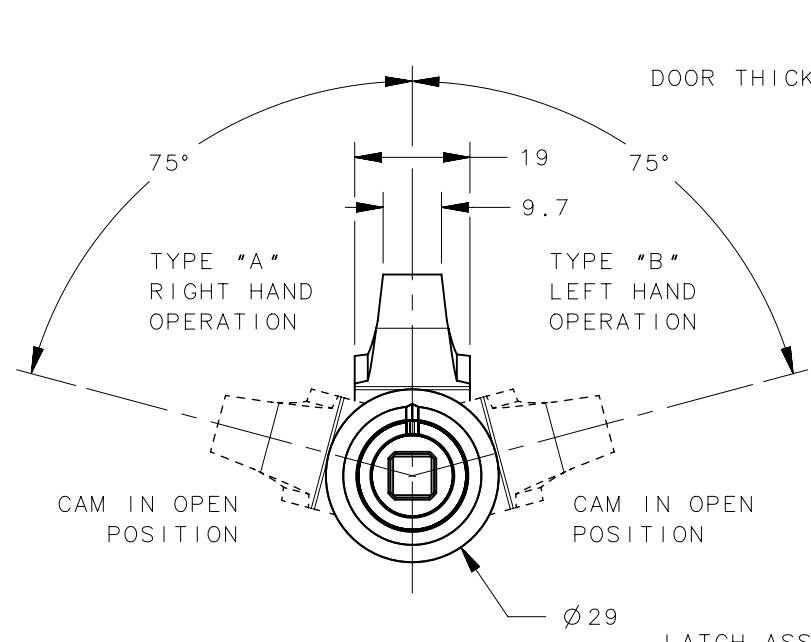
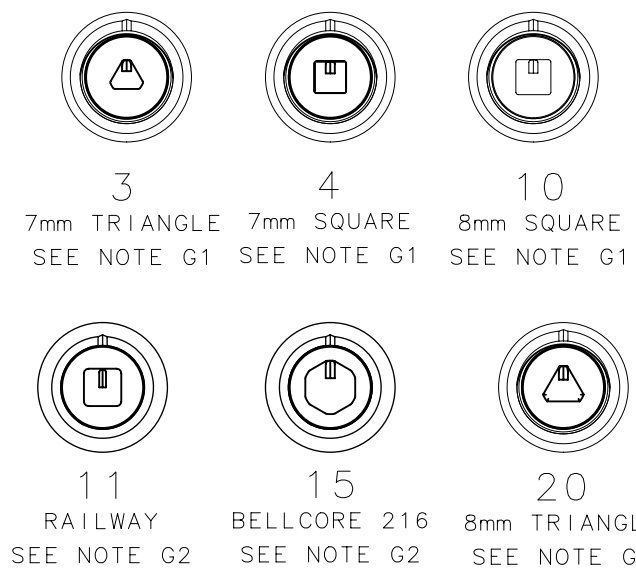


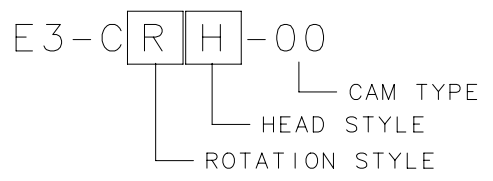
REVISION HISTORY			
REV	DATE	BY	DESCRIPTION
E	19DEC2017	RKS/VK	PRN: P2017-3087



HEAD STYLE (H)



ASSEMBLY PART NUMBER



ROTATION STYLE:
 1= STYLE A TURN CLOCKWISE TO LATCH
 22= STYLE B TURN COUNTERCLOCKWISE TO LATCH

KEY TABLE (ORDER SEPARATELY FROM LATCH)	
HEAD STYLE	KEY PART NUMBER
7mm TRIANGLE	E3-3-1
7mm SQUARE	E3-4-1
8mm TRIANGLE	E3-7-1
8mm SQUARE	E3-8-1
BELLCORE 216	E3-12-1
RAILWAY	E3-14-1

CAM PART NUMBER TABLE (ORDER SEPARATELY FROM LATCH)			
CAM PART NUMBER	MINIMUM GRIP	MAXIMUM GRIP	CAM TYPE
E3-28-201-24	3.3	14.7	DEEP OFFSET CAM, FORWARD
	56.6	66.5	DEEP OFFSET CAM, REVERSED
E3-28-202-24	14.6	30.3	OFFSET CAM, FORWARD
	42	57.7	OFFSET CAM, REVERSED
E3-28-203-24	28.8	44.5	STRAIGHT CAM

MATERIAL AND FINISH:

LOCKWASHER	304 STAINLESS STEEL	PASSIVATED
M10X1.5 NUT	316 STAINLESS STEEL	PASSIVATED
FLANGE GASKET	NEOPRENE	NATURAL
LOCK WASHER	304 STAINLESS STEEL	NATURAL
MOUNTING NUT	STAINLESS STEEL	NATURAL
PIN	1008 STEEL	ZINC PLATE PLUS YELLOW CHROMATE
O-RING	BUNA-N	NATURAL
RETAINER	302 SS	NATURAL
SPRING	MUSIC WIRE	ZINC PLATE PLUS BRIGHT CHROMATE
SHAFT	304 STAINLESS STEEL	PASSIVATED
SLEEVE	1075 STEEL	ZINC IMMERSION COATING
CAM	1075 STEEL	ZINC IMMERSION COATING
CAP	304 STAINLESS STEEL	PASSIVATED
HOUSING	304 STAINLESS STEEL	PASSIVATED

- NOTES:
- OPERATION: 195° TURN OF DRIVER CAUSES CAM TO ROTATE THEN PULL UP AS SHOWN.
 - DETERMINE TOTAL GRIP BY ADDING MAX, OUTER DOOR THICKNESS (INCLUDE ALL ACCESSORIES) PLUS COMPRESSED GASKETS AND FRAME THICKNESS.
 - INSTALLATION:
 - INSTALL LATCH INTO HOLE IN DOOR. CHECK FOR PROPER ORIENTATION AND OPERATION WITH CAM.
 - INSTALL USING LOCKWASHERS AND MOUNTING NUT (27mm ACROSS FLATS). MAXIMUM TIGHTENING TORQUE 20Nm.
 - INSTALL JAM NUTS, LOCKWASHERS, CAM ON THE SHAFT AS SHOWN. ADJUST JAM NUTS TO POSITION CAM AT CORRECT GRIP (WITH LATCH CLOSED). TIGHTEN JAM NUTS (20Nm MAX. TORQUE) USING TWO 17mm WRENCHES.
 - CAUTION: ADJUST CAM SO THAT NO MORE THAN 7.9Nm TORQUE IS REQUIRED TO CLOSE THE LATCH.
 - CHOOSE CAM ACCORDING TO GRIP RANGE FROM CAM TABLE.
 - FOR ALTERNATIVE LATCH PACKAGING WITH CAM, SEE DRAWING J-E3-C-12-4A
 - LATCH HEADSTYLE FITTING WITH KEY:
 - KEY OD ϕ 13.3 MAX
 - KEY OD ϕ 18 MAX

E3-CRH-00		ASSEMBLY	
NO.	PART NUMBER	QTY	GENERAL NOTES
THIRD ANGLE PROJECTION			
MILLIMETERS [IN]			
TOLERANCES UNLESS OTHERWISE NOTED		DESCRIPTION	
ALL DIMENSIONS WITHOUT TOLERANCES ARE FOR REFERENCE ONLY.		STAINLESS STEEL SHORT E3 LATCH VISE ACTION SERIES	
PROPRIETARY ITEM	PER ASME Y14.5M-1994	SIZE A3	SYSTEM NX
EXCEPT FOR USES EXPRESSLY GRANTED IN WRITING, INFORMATION DISCLOSED HEREON IS CONFIDENTIAL AND ALL RIGHTS, PATENT AND OTHERWISE, ARE RESERVED BY SOUTHCO, INC.		DWG NO. J-E3-C-12-4	DATE 30JUL2015
DRAWN BY CL/BX		SCALE 1:1	SHEET 1 OF 1