

REV.	DATE	DRAWN	REVISION
A	14 FEB 2001	JRS	PRN: E3-847A
B	29 JAN 2015	MS	MD PRN: P2015-0226

VISE-ACTION™ LATCH		THREE-HOLE MOUNT T-HANDLE LOCKING	
ASSEMBLY PART NO.	GRIP RANGE	PAWL OFFSET	
E3-38-15	73.9 ^{+23.6} or 62.7 ^{-76.2}	27.4	
E3-38-25	21.8 ^{+37.3} or 49 ^{-64.8}	13.7	
E3-38-35	35.3 - 50.8	NONE	

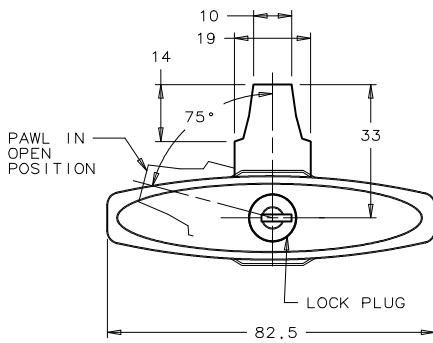
DATE	DRAWN	CHKD	SCALE	DRAWING NUMBER
09/JUN/97	BRK	MPF	0.75 : 1	J-E3-38

MILL METER DIMENSIONS
DIMENSIONS WITHOUT TOLERANCES ARE FOR REFERENCE ONLY.

A3 PAPER SIZE
THIRD ANGLE PROJECTION

COMPONENT	MATERIAL	FINISH
HOUSING	DIE CAST ZINC	SEE TABLE
HANDLE	DIE CAST ZINC	SEE TABLE
GASKET	RUBBER IMPREGMATED WELLM	NATURAL
RETAINER	302 STAINLESS STEEL	NATURAL
SPRING	302 STAINLESS STEEL	NATURAL
O-RING	BUNA-N	NATURAL
SLEEVE	1075 STEEL	DACROTIZED†
CAM	1075 STEEL	DACROTIZED†
SHAFT	LOW CARBON STEEL	ZINC PLATE CHROMATE PLUS SEALER
PIN	1008 STEEL	CHROMATE D.P. YELLOW
PAWL	1010 STEEL	ZINC PLATE CHROMATE PLUS SEALER
JAM NUTS (2)	LOW CARBON STEEL	ZINC PLATE CHROMATE PLUS SEALER
LOCKWASHERS (2)	SPRING STEEL	ZINC PLATE CHROMATE PLUS SEALER
SCREW/LOCKWR ASSLY	LOW CARBON STEEL	ZINC PLATE CHROMATE PLUS SEALER
LOCK PLUG AND BRASS	DIE CAST ZINC	SEE TABLE
LOCK EXTENDER	DIE CAST ZINC	CHEMICAL PROTECTIVE FILM
LOCK SLIDE	DIE CAST ZINC	SEE TABLE
KEYS	BRASS	NATURAL

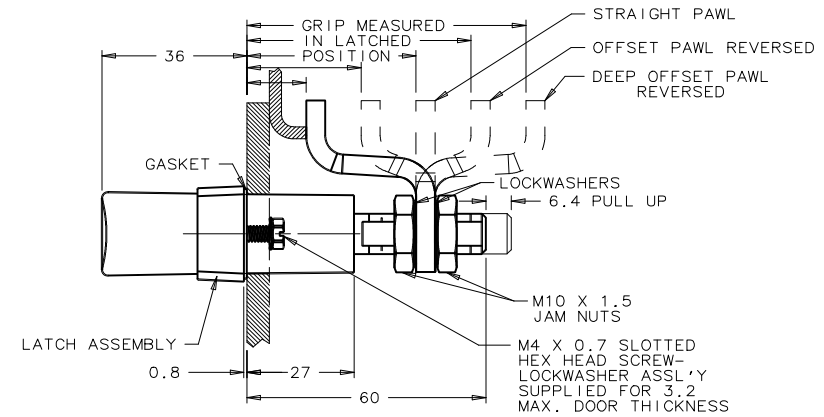
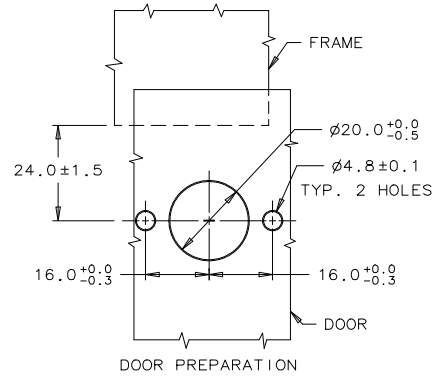
† TM - METAL COATINGS INTERNATIONAL, INC.



LATCH DIMENSIONS FOR REFERENCE ONLY

X- FINISH TABLE

1	BRIGHT CHROME PLATE
4	CARDINAL WHITE POWDER COAT
5	BLACK POWDER COAT
6	LIGHT GREY POWDER COAT
7	SATIN SILVER POLYESTER POWDER COAT
8	SILVER METALLIC URETHANE POWDER COAT



NOTES:

- OPERATION: 195° TURN OF HANDLE CAUSES PAWL TO ROTATE 75° THEN PULL UP 6.4.
- PAWL, NUTS, LOCKWASHERS, AND SCREW ASSLY'S SHIPPED UNASSEMBLED IN BAG WITH GASKET AND LATCH ASSEMBLIES.
- INSTALLATION:
 - INSTALL GASKET OVER LATCH AND INSTALL LATCH IN DOOR. ATTACH USING M4 SCREW ASSEMBLIES (7mm HEX) 1.7 Nm MAX. TIGHTENING TORQUE.
 - INSTALL JAM NUT, LOCKWASHER, PAWL, LOCKWASHER, AND JAM NUT ON SHAFT. ADJUST JAM NUTS TO POSITION PAWL AT CORRECT GRIP (WITH LATCH CLOSED). TIGHTEN JAM NUTS (20 Nm MAX. TORQUE) USING TWO 17mm WRENCHES.

CAUTION: ADJUST PAWL SO THAT NO MORE THAN 7.9 Nm TORQUE ON HANDLE IS REQUIRED TO CLOSE LATCH.

DIMENSIONS ARE IN MILLIMETERS
DIMENSIONS WITHOUT TOLERANCES ARE FOR REFERENCE ONLY
THIRD ANGLE PROJECTION