

**southco**

REV. DATE DRAWN BY RES. PART NO. REVISION

A	7/31/90	RES	PRN: E3-239	E3-32-1X	GRIP RANGE PAWL OFFSET
B	12 JAN 93	RES	PRN: S-1-O-3	E3-32-1X	2.47 ± .006 or 1.08
C	08 OCT 96	SMO	PRN: S-9-3-2-3	E3-32-2X	0.54
D	03 DEC 98	JGR	PRN: E3-7-1-6A	E3-32-3X	1.98 ± .006 or 1.39 - 2.00
E	07 JUL 99	SKR	PRN: E3-801/E3-806		NONE
F	14 FEB 2000	JRS	PRN: E3-847A		
G	28 JAN 2011	COMS	PRN: P2015-0219		

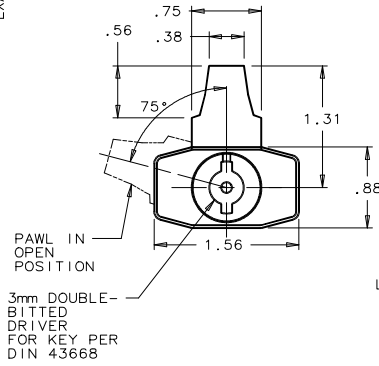
### WISE-ACTION™ LATCH 3mm DOUBLE BITTED DRIVER

DATE: 5/26/89  
DRAWN (CHKD): RES  
SCALE: 0.75 : 1  
DRAWING NUMBER: J-E3-32

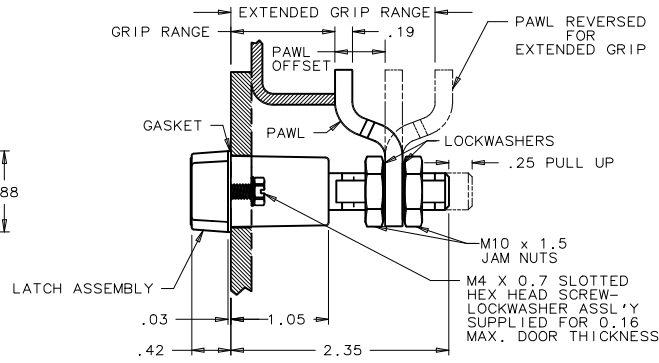
COMPONENT	MATERIAL	FINISH
HOUSING	DIE CAST ZINC	SEE TABLE
CAP	DIE CAST ZINC	SEE TABLE
RETAINER	302 STAINLESS STEEL	NATURAL
SPRING	302 STAINLESS STEEL	NATURAL
O-RING	BUNA-N	NATURAL
SLEEVE	1075 STEEL	DACROTIZED†
CAM	1075 STEEL	DACROTIZED†
SHAFT	LOW CARBON STEEL	SEE NOTE A
PIN	1008 STEEL	ZINC PLATE PLUS CHROMATE DIP, YELLOW
PAWL	1010 STEEL	SEE NOTE A
JAM NUTS (2)	LOW CARBON STEEL	SEE NOTE A
LOCKWASHERS (2)	SPRING STEEL	SEE NOTE A
SCREW/LOCKWASHER ASSLY	LOW CARBON STEEL	SEE NOTE A
GASKET	REDUCED YELLOW RUBBER	SEE NOTE A

NOTE A: ZINC PLATE CHROMATE PLUS SEALER

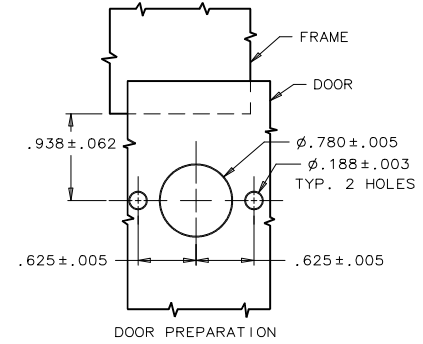
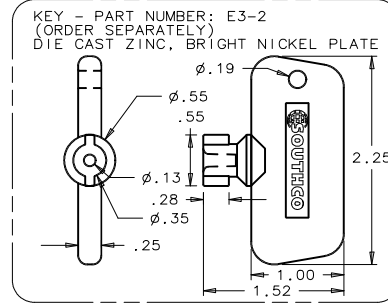
THE ABOVE PART NUMBERS ARE TYPE "A" (TURN CLOCKWISE TO LATCH), FOR TYPE "B" ASSEMBLIES (TURN COUNTERCLOCKWISE TO LATCH). CHANGE THE THIRD DIGIT OF THE PART NUMBER FROM 3 TO 23. EXAMPLE: E3-232-13



3mm DOUBLE-BITTED DRIVER FOR KEY PER DIN 43668



- X- FINISH TABLE  
 1- BRIGHT CHROME PLATE  
 4- CARDINAL WHITE POWDER COAT  
 5- BLACK POWDER COAT  
 6- LIGHT GREY POWDER COAT  
 7- SATIN SILVER POLYESTER POWDER COAT  
 8- SILVER METALLIC URETHANE POWDER COAT



LATCH DIMENSIONS FOR REFERENCE ONLY

NOTES:

- OPERATION: 195° TURN OF KEY CAUSES PAWL TO ROTATE 75° THEN PULL UP 0.25.
  - PAWL, NUTS, LOCKWASHERS, GASKET, AND SCREW ASSLY'S SHIPPED UNASSEMBLED IN BAG WITH LATCH ASSEMBLY.
  - INSTALLATION:
    - INSTALL GASKET OVER LATCH AND INSTALL LATCH IN DOOR. ATTACH USING M4 SCREW ASSEMBLIES (7mm HEX) 15 in-lb MAX. TIGHTENING TORQUE.
    - INSTALL JAM NUT, LOCKWASHER, PAWL, LOCKWASHER AND JAM NUT ON SHAFT. ADJUST JAM NUTS TO POSITION PAWL AT CORRECT GRIP (WITH LATCH CLOSED). TIGHTEN JAM NUTS (180 in-lb MAX. TORQUE) USING TWO 17mm WRENCHES.
- CAUTION: ADJUST PAWL SO THAT NO MORE THAN 70 in-lb TORQUE ON KEY IS REQUIRED TO CLOSE LATCH.

† TM - METAL COATINGS INTERNATIONAL, INC.

PATENT US, UK  
 DIMENSIONS ARE INCHES UNLESS NOTED OTHERWISE

DRAWING NUMBER  
 J-E3-32