

**NOTES:**

- A. OPERATION: 195° TURN OF KNOB CAUSES PAWL TO ROTATE 75° THEN UNLATCH.  
 B. DETERMINE TOTAL GRIP BY ADDING MAX. OUTER DOOR THICKNESS (INCLUDE ALL ACCESSORIES PLUS COMPRESSED GASKETS) AND FRAME THICKNESS.  
 C. FIND YOUR TOTAL GRIP IN PAWL TABLE TO DETERMINE THE CORRECT PAWL TYPE.  
 D. INSTALLATION:  
 1. INSERT LATCH INTO THE HOLE OF THE DOOR IN THE UNLATCHED POSITION. CHECK FOR PROPER ORIENTATION AND OPERATION OF PAWL.  
 2. INSTALL LOCKWASHER AND MOUNTING NUT (27mm ACROSS FLATS) ONTO HOUSING. RECOMMENDED TIGHTENING TORQUE FOR MOUNTING NUT IS 20 Nm AND THE MOUNTING SCREW IS 10Nm.  
 E. THIS STYLE CANNOT ACCOMMODATE MULTI-POINT LATCHING.  
 F. CONTACT SOUTHCO FOR DETAILS ON ORDERING SEPARATE LOCK PLUGS.  
 G. KEY CODE OPTION IS USED FOR ADDITIONAL KEY CODE LOCKS ABOVE THE FIRST KEY CODE. ADD THE THREE DIGIT KEY CODE TO THE END OF THE PART No. (FFF) WHEN THE KNOB STYLE = 52 OR 58  
 EXAMPLE: E3-158-15-002 IS FOR R002 KEY CODE. CONTACT SOUTHCO FOR DETAILS.



PROPRIETARY ITEM - EXCEPT FOR USES EXPRESSLY GRANTED IN WRITING INFORMATION DISCLOSED HEREON IS CONFIDENTIAL AND ALL RIGHTS PATENT AND OTHERWISE ARE RESERVED BY SOUTHCO, INC.

VICE-ACTION™ LATCH - INTERNATIONAL SERIES  
 FIXED GRIP LOCKING AND NON-LOCKING WING KNOB ASSEMBLY

DATE	DRAWN	CHKD	SCALE	DRAWING NUMBER
17JUL2004	AAB		1:1	J-E3-10-4

TOTAL GRIP	MAX. OUTER DOOR THICKNESS (LATCH SHIPPED ASSEMBLED)	PAWL TYPE	TOTAL GRIP	MAX. OUTER DOOR THICKNESS (LATCH SHIPPED ASSEMBLED)	PAWL TYPE
15	UNASSEMBLED LATCH	00	35	7	10
17	MUST USE UNASSEMBLED LATCH	01	37	7	11
19	MUST USE UNASSEMBLED LATCH	02	39	7	12
21		03	41	7	13
23		04	43	7	14
25		05	45	7	15
27		06	47	7	16
29		07	49	7	17
31		08	51	7	18
33		09	53	7	19

REV	DATE	DRAWN/CHKD	DESCRIPTION
A	04OCT2004	AAB/AJH	PRN: P2004-1120
B	02NOV2004	AAB/RLR	PRN: P2004-1220
C	11MAR2005	MDY/RLR	PRN: P2005-0326
D	28JAN2015	CMS/MWD	PRN: P2015-0217

ITEM	MATERIAL	FINISH
HOUSING	DIE CAST ZINC	SEE FINISH TABLE
KNOB	DIE CAST ZINC	SEE FINISH TABLE
LOCK PLUG	DIE CAST ZINC AND BRASS	SEE FINISH TABLE
RETAINER	302 STAINLESS STEEL	NATURAL
SPRING	302 STAINLESS STEEL	NATURAL
O-RING	BUNA-N	NATURAL
SLEEVE	1075 STEEL	DACROSEALED™
CAM	1075 STEEL	DACROSEALED™
SHAFT	LOW CARBON STEEL	ZINC PLATE CHROMATE, PLUS SEALER
PIN	1008 STEEL	ZINC PLATE, YELLOW CHROMATE
PAWL	1010 STEEL	ZINC PLATE CHROMATE, PLUS SEALER
SCREW	LOW CARBON STEEL	ZINC PLATE BRIGHT CHROMATE
LOCKWASHER	SPRING STEEL	ZINC PLATE CHROMATE, PLUS SEALER
MOUNTING NUT	DIE CAST ZINC	ACRYLIC LATEX SEALER
KEY(S)	BRASS OR BRASS/ABS	NICKEL PLATED OR NICKEL PLATED/BLACK
GASKET SEAL	RUBBER	NATURAL
FLANGE GASKET	NEOPRENE RUBBER	NATURAL

MILLIMETERS  
 ALL DIMENSIONS WITHOUT TOLERANCES ARE FOR REFERENCE ONLY.  
 THIRD ANGLE PROJECTION  
 B PAPER SIZE

**H. E3-VV59-XXZ LOCK PLUG INSTALLATION:**

- THE LATCH MUST BE IN THE UNLATCHED AND UNLOCKED POSITION. IF THE LATCH WILL NOT ROTATE, SLIDE LOCK PAWL INSIDE KNOB TOWARDS DIMPLE ON KNOB, TO UNLOCKED POSITION. ROTATE LATCH TO UNLATCHED POSITION.
- TAKE NEW LOCK PLUG WITH THE RETAINING WAFER (LAST WAFER LOCATED AT BOTTOM OF THE LOCK) ORIENTED IN DIRECTION OF DIMPLE LOCATED ON SIDE OF KNOB (3 O'CLOCK POSITION FROM LOCK SYMBOL ON TOP OF KNOB).
- INSERT LOCK PLUG INTO KNOB AND REMOVE KEY.

**HOUSING STYLE**

- 10 - LATCH SHIPPED ASSEMBLED, TYPE A (TURN CLOCKWISE TO LATCH)
- 12 - LATCH SHIPPED UNASSEMBLED, TYPE A (TURN CLOCKWISE TO LATCH)
- 27 - LATCH SHIPPED ASSEMBLED, TYPE B (TURN COUNTERCLOCKWISE TO LATCH)
- 29 - LATCH SHIPPED UNASSEMBLED, TYPE B (TURN COUNTERCLOCKWISE TO LATCH)

**KNOB STYLES (AND KEY CODES)**

- 50 - NON LOCKING
- 51 - LOCKING (CH751)
- 52 - LOCKING (LS001)
- 53 - LOCKING (LS001-125)
- 54 - LOCKING (LS126-250)
- 55 - LOCKING (LS251-375)
- 56 - LOCKING (HL450)
- 57 - LOCKING (14603)
- 58 - SHUTTERED, REVERSIBLE (R001)
- 59 - WITHOUT LOCK PLUG (NOTE F) (CUSTOMER INSTALLED)

**ASSEMBLY PART No.**

E3-VV WW-XX Z-FFF K



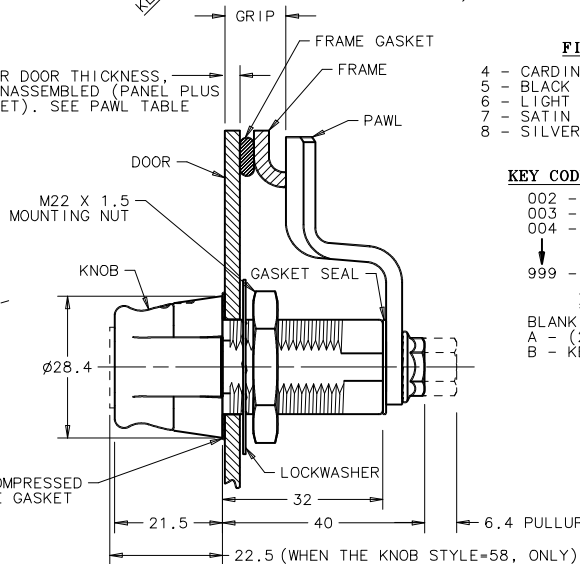
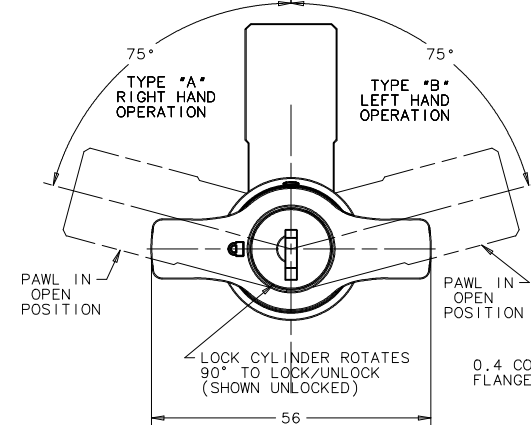
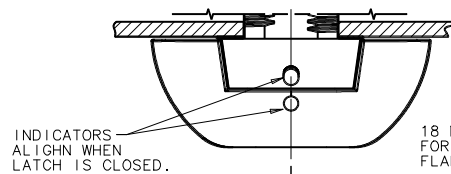
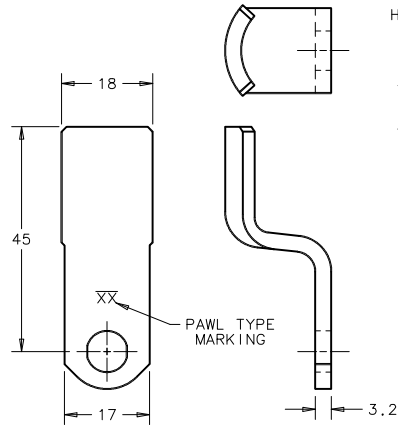
**SUBASSEMBLY PART No.**

E3-VV WW-0 Z-FFF K



**HARDWARE PKG. PART No.**

E3-VV 0-XX-D



**FINISH TABLE**

- 4 - CARDINAL WHITE POWDER COAT
- 5 - BLACK POWDER COAT
- 6 - LIGHT GREY POWDER COAT
- 7 - SATIN SILVER POLYESTER POWDER COAT
- 8 - SILVER METALLIC URETHANE POWDER COAT

**KEY CODE OPTION (NOTE G)**

- 002 - 2ND KEY CODE
- 003 - 3RD KEY CODE
- 004 - 4TH KEY CODE

999 - 999TH KEY CODE

**KEY OPTION**

- BLANK - (1) OVERMOLDED KEY
- A - (2) FLAT KEYS ON A RING
- B - KEY(S) NOT INCLUDED

**DOOR PREPARATION**

**METHOD A**

**METHOD B**

(NOT RECOMMENDED FOR GASKETED APPLICATIONS)

