

NOTES:

- OPERATION: 195° TURN OF DRIVER OR KEY CAUSES PAWL TO ROTATE THEN PULL UP AS SHOWN.
- DETERMINE TOTAL GRIP BY ADDING MAX. OUTER DOOR THICKNESS (INCLUDE ALL ACCESSORIES PLUS COMPRESSED GASKETS AND FRAME THICKNESS).
- FIND YOUR TOTAL GRIP IN FRAME TABLE TO DETERMINE THE CORRECT PAWL TYPE.
- INSTALLATION:
 - INSERT LATCH INTO THE HOLE OF THE DOOR IN THE UNLATCHED POSITION. CHECK FOR PROPER ORIENTATION AND OPERATION OF PAWL.
 - INSTALL LOCKWASHER AND MOUNTING NUT (27mm ACROSS FLATS) ONTO HOUSING. RECOMMENDED TIGHTENING TORQUE FOR MOUNTING NUT IS 20 Nm AND THE MOUNTING SCREW IS 10Nm.
- THIS STYLE CANNOT ACCOMMODATE MULTI-POINT LATCHING.
- FOR GRIP LENGTHS LESS THAN 15mm, SEE DWG. J-E3-10-1.
- FOR SEALED APPLICATIONS USE GASKET E5-17 (ORDERED SEPARATELY.)
- SEE SHEET 2 FOR DRIVER AND HEAD STYLES.

southco

PROPRIETARY ITEM - EXCEPT FOR USES EXPRESSLY GRANTED IN WRITING INFORMATION DISCLOSED HEREON IS CONFIDENTIAL AND ALL RIGHTS, PATENT AND OTHERWISE ARE RESERVED BY SOUTHCO, INC.

WISE-ACTION™ LATCH - INT'L SERIES
FIXED GRIP

| | | | | |
|---------|-------|------|-------|----------------|
| DATE | DRAWN | CHKD | SCALE | DRAWING NUMBER |
| 22SEP98 | JSS | JGK | 1:1 | J-E3-10 |

| TOTAL GRIP | MAX. OUTER DOOR THICKNESS (LATCH SHIPPED ASSEMBLED) | PAWL TYPE | TOTAL GRIP | MAX. OUTER DOOR THICKNESS (LATCH SHIPPED ASSEMBLED) | PAWL TYPE |
|------------|---|-----------|------------|---|-----------|
| 15 | UNASSEMBLED LATCH | 00 | 35 | 7 | 10 |
| 17 | MOST USE UNASSEMBLED LATCH | 01 | 37 | 7 | 11 |
| 19 | 1 | 02 | 39 | 7 | 12 |
| 21 | 2 | 03 | 41 | 7 | 13 |
| 23 | 4 | 04 | 43 | 7 | 14 |
| 25 | 5 | 05 | 45 | 7 | 15 |
| 27 | 6 | 06 | 47 | 7 | 16 |
| 29 | 7 | 07 | 49 | 7 | 17 |
| 31 | 7 | 08 | 51 | 7 | 18 |
| 33 | 7 | 09 | 53 | 7 | 19 |

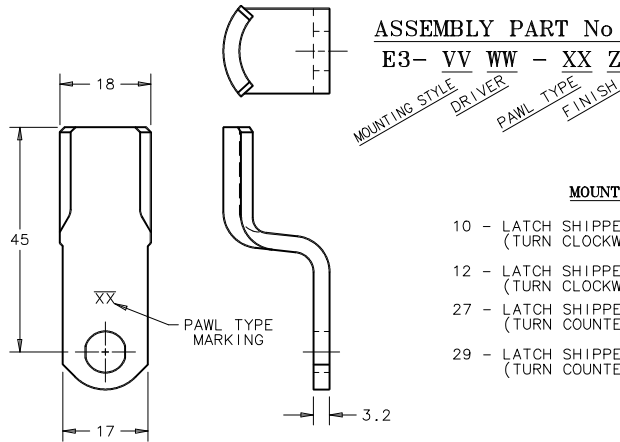
| REV | DATE | DRAWN/CHKD | DESCRIPTION |
|-----|-----------|------------|-----------------|
| J | 08APR2004 | AAB/JSS | PRN: P2004-0367 |
| K | 16MAY2006 | RLR/MDY | PRN: P2005-1625 |
| L | 17AUG2007 | BWR/ | PRN: P2007-1068 |
| M | 03OCT2007 | GDW/JSS | PRN: P2007-1246 |
| N | 11MAY2012 | CMS/BGL | PRN: P2012-0565 |
| O | 19JAN2015 | CMS/MWD | PRN: P2015-0141 |
| P | 23FEB2015 | CMS/LT | PRN: P2015-0366 |
| Q | 15FEB2018 | CMS/MGG | PRN: P2018-0422 |

MILLIMETERS

ALL DIMENSIONS WITHOUT TOLERANCES ARE FOR REFERENCE ONLY.



| COMPONENT | MATERIAL | FINISH | |
|------------------------|---------------------|----------------------------------|------------------|
| HOUSING | DIE CAST ZINC | SEE FINISH TABLE | |
| CAP | DIE CAST ZINC | SEE FINISH TABLE | |
| RETAINER | 302 STAINLESS STEEL | NATURAL | |
| SPRING | 302 STAINLESS STEEL | NATURAL | |
| O-RING | BUNA-N | NATURAL | |
| SLEEVE | 1075 STEEL | ZINC IMMERSION COATING | |
| CAM | 1075 STEEL | ZINC IMMERSION COATING | |
| SHAFT | LOW CARBON STEEL | ZINC PLATE CHROMATE, PLUS SEALER | |
| PIN | 1008 STEEL | ZINC PLATE, CHROMATE DIP | |
| PAWL | 1010 STEEL | ZINC PLATE CHROMATE, PLUS SEALER | |
| SCREW | LOW CARBON STEEL | ZINC PLATE BRIGHT CHROMATE | |
| LOCKWASHER | SPRING STEEL | ZINC PLATE CHROMATE, PLUS SEALER | |
| MOUNTING NUT | DIE CAST ZINC | ACRYLIC LATEX SEALER | |
| GASKET SEAL | RUBBER | BLACK | |
| TUBULAR KEY STYLE ONLY | CAP BUSHING | 303 STAINLESS STEEL ALUMINUM | SEE FINISH TABLE |



MOUNTING STYLE

- 10 - LATCH SHIPPED ASSEMBLED, TYPE A (TURN CLOCKWISE TO LATCH)
- 12 - LATCH SHIPPED UNASSEMBLED, TYPE A (TURN CLOCKWISE TO LATCH)
- 27 - LATCH SHIPPED ASSEMBLED, TYPE B (TURN COUNTERCLOCKWISE TO LATCH)
- 29 - LATCH SHIPPED UNASSEMBLED, TYPE B (TURN COUNTERCLOCKWISE TO LATCH)

FINISH TABLE

- 1 - BRIGHT CHROME PLATE
- 4 - CARDINAL WHITE POWDER COAT
- 5 - BLACK POWDER COAT
- 6 - LIGHT GREY POWDER COAT
- 7 - SATIN SILVER POLYESTER POWDER COAT
- 8 - SILVER METALLIC URETHANE POWDER COAT
- 9 - LUCENT GREY POWDER COAT

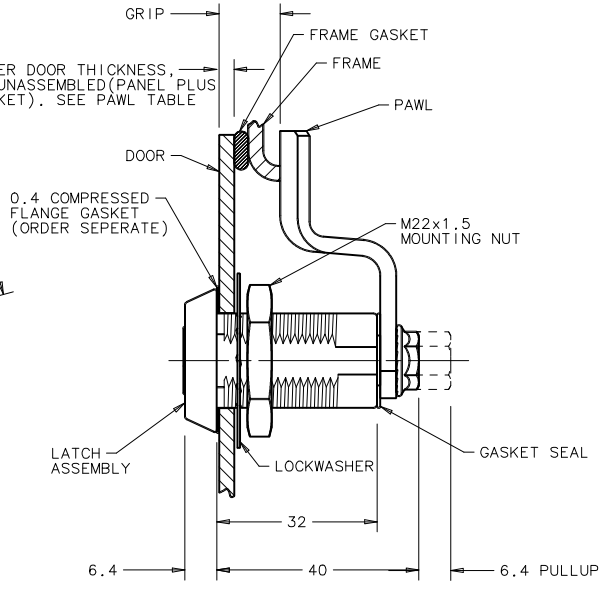
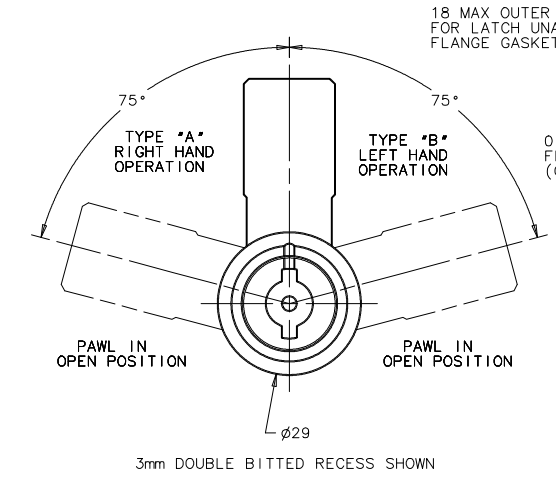
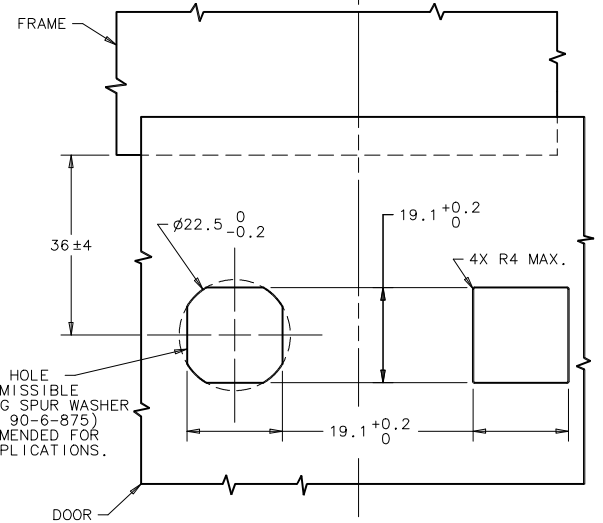
HARDWARE TYPE

- 7 - WHEN MOUNTING STYLE IS *SHIPPED ASSEMBLED*(VV= 10 OR 27)
- 8 - WHEN MOUNTING STYLE IS *SHIPPED UNASSEMBLED*(VV= 12 OR 29)
- 30- WHEN MOUNTING STYLE IS *SHIPPED UNASSEMBLED* WITH MTG. NUT, LK*WASHER, SCREW ONLY (VV= 12 OR 29)

DOOR PREPARATION

METHOD A

METHOD B
(NOT RECOMMENDED FOR GASKETED APPLICATIONS)



southco

PROPRIETARY ITEM - EXCEPT FOR USES EXPRESSLY GRANTED IN WRITING, INFORMATION DISCLOSED HEREON IS CONFIDENTIAL AND ALL RIGHTS, PATENT AND OTHERWISE ARE RESERVED BY SOUTHCO, INC.

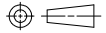
**WISE-ACTION™ LATCH - INT'L SERIES
FIXED GRIP**

| DATE | DRAWN | CHKD | SCALE | DRAWING NUMBER |
|---------|-------|------|-------|----------------|
| 22SEP98 | JSS | JGK | 1:1 | J-E3-10 |


| REV | DATE | DRAWN/CHKD | DESCRIPTION |
|-----|-----------|------------|-----------------|
| J | 08APR2004 | AAB/JSS | PRN: P2004-0367 |
| K | 16MAY2006 | RLR/MDY | PRN: P2005-1625 |
| L | 17AUG2007 | BWR/ | PRN: P2007-1068 |
| M | 03OCT2007 | GDW/JSS | PRN: P2007-1246 |
| N | 11MAY2012 | CMS/BGL | PRN: P2012-0565 |
| O | 19JAN2015 | CMS/MWD | PRN: P2015-0141 |
| P | 23FEB2015 | CMS/LT | PRN: P2015-0366 |
| Q | 15FEB2018 | CMS/MGG | PRN: P2018-0422 |

MILLIMETERS

ALL DIMENSIONS WITHOUT TOLERANCES ARE FOR REFERENCE ONLY.

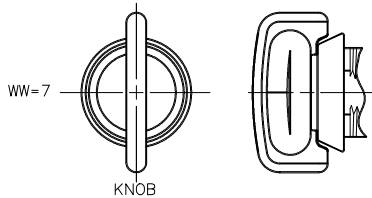
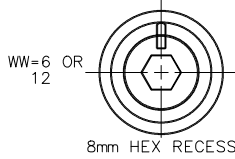
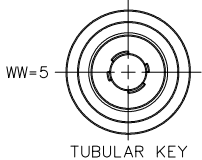
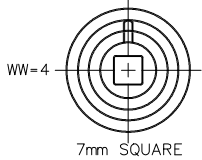
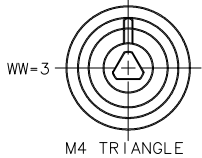
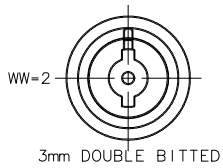


THIRD ANGLE PROJECTION

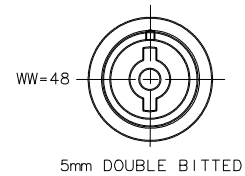
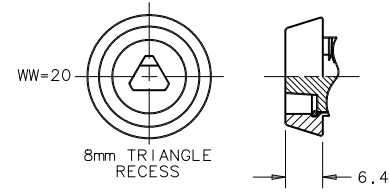
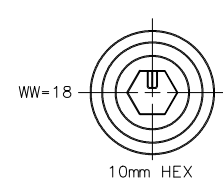
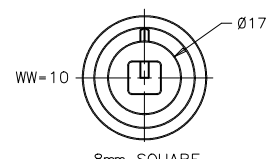
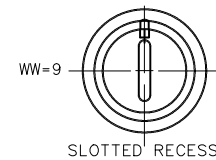
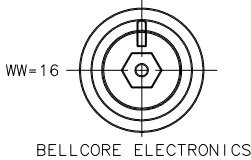
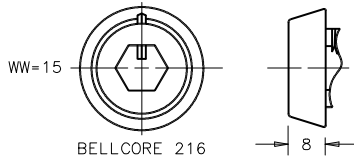
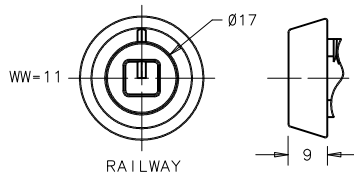


B PAPER SIZE

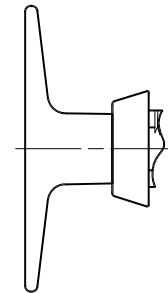
DRIVER



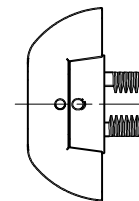
DRIVER



WW-1 - NONLOCKING
WW-8 - LOCKING: CH-751



WW-50 - NON LOCKING
WW-51 - LOCKING (CH751)
WW-57 - LOCKING (14603)
WW-58 - SHUTTERED, REVERSIBLE(RK001)
WW-59 - WITHOUT LOCK PLUG (NOTE F)
(CUSTOMER INSTALLED)



(SEE DRAWINGS J-E3-10-4 AND J-E3-11-2 FOR DETAILS.)