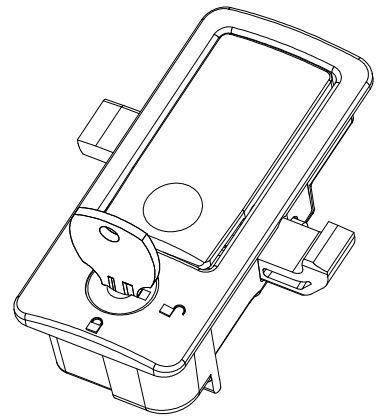
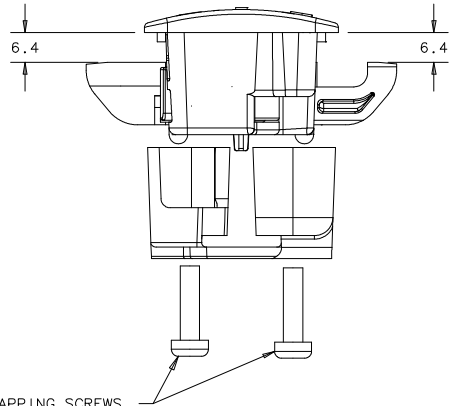
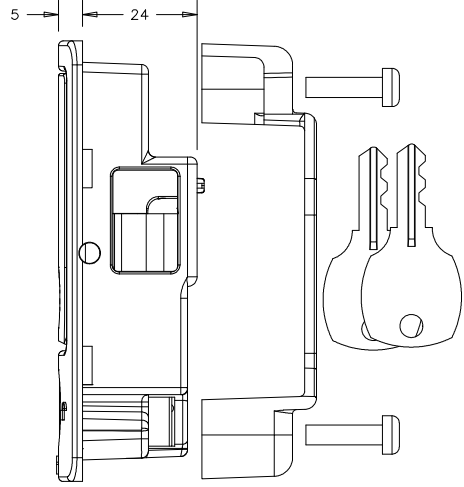
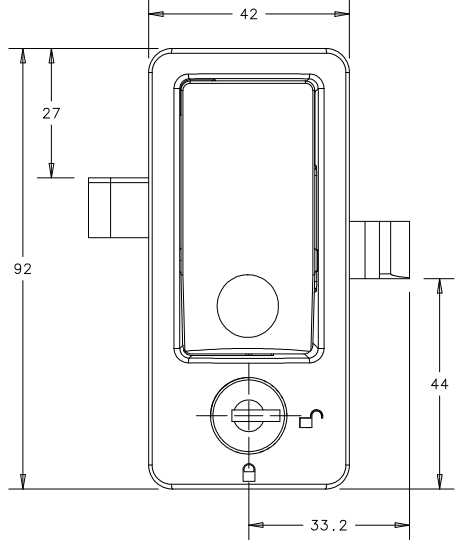
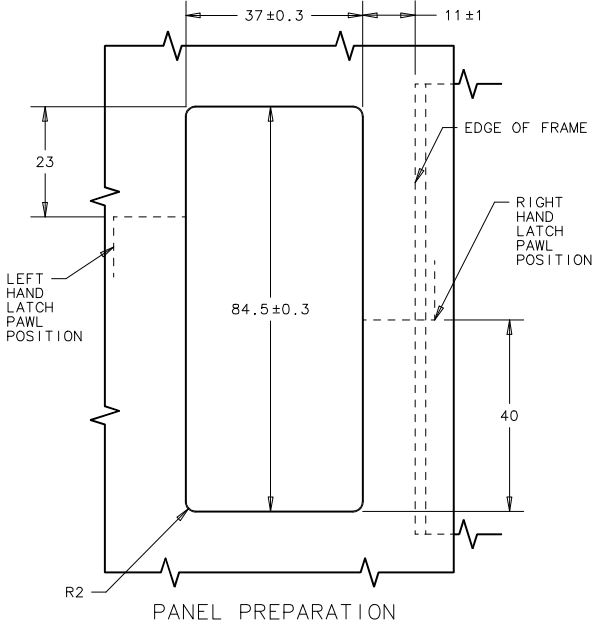
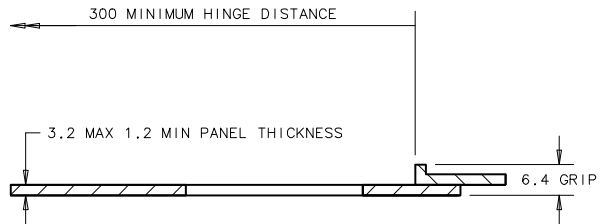


REV.	DATE	DRAWN	R/J/B	ASSEMBLY	COMPONENT	MATERIAL	FINISH
A	21SEP98	RJB		M1-2F-2-25	HOUSING	ABS/POLYCARB	BLACK
B	21NOV98	RJB			HANDLE	ABS/POLYCARB	BLACK
C	21NOV98	JHS			SLIDE, RH	G.R. NYLON	BLACK
D	28JUL2000	JUNJ			SLIDE, LH	G.R. NYLON	BLACK
E	10002000	DLH			SPRING ARM	STAINLESS STEEL	PASSIVATED
					LOCKING ARM	G.R. NYLON	BLACK
					LOCK PLUG	G.R. ACETAL	BLACK
					KEYS	BRASS	NICKEL PLATED
					BRACKET, DOUBLE	REINFORCED NYLON	BLACK
					BRACKET, TORX SLOTTED	410 STAINLESS STEEL	PASSIVATED



USE SELF TAPPING SCREWS SUPPLIED BY SOUTHCO

(SLOT/TORX® T-15 RECESS)

MAX TIGHTENING TORQUE: 1.8 Nm (16 lbf-IN)



A3 PAPER SIZE

DIMENSIONS IN MILLIMETERS
DIMENSIONS WITHOUT TOLERANCES ARE FOR REFERENCE ONLY

DATE 06 AUG 98
DRAWN RJB
CHKD RJB
SCALE 1:1