

southco

PROPRIETARY ITEM - EXCEPT FOR USES EXPRESSLY GRANTED IN WRITING INFORMATION DISCLOSED HEREON IS CONFIDENTIAL AND ALL RIGHTS PATENT AND OTHERWISE ARE RESERVED BY SOUTHCO, INC.

MONOSERT™ INSERT

DATE	DRAWN	CHKD	SCALE	DRAWING NUMBER
22FEB2005	MDY	MLG	1.5:1	J-DM-10

REV	DATE	DRAWN/CHKD	DESCRIPTION	ITEM	PART NUMBER	MATERIAL	FINISH
				ASSEMBLY	DM-10-10216-10	-	-
				RECEPTACLE	-	CARBON STEEL	ZINC PLATE PLUS CHROMATE
				SCREW	-	HARDENED STEEL	ZINC PLATE PLUS CHROMATE

MILLIMETERS

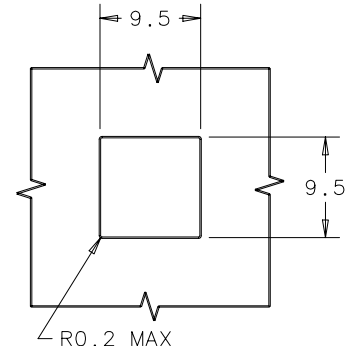
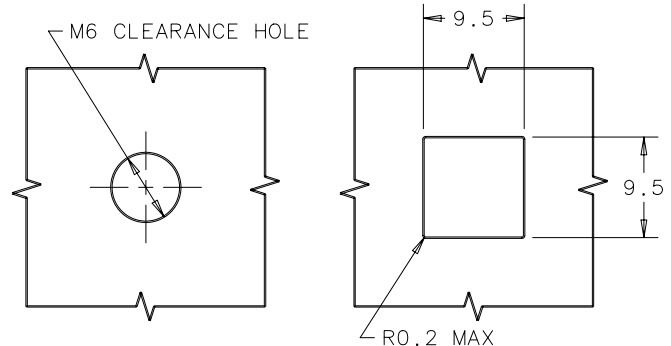
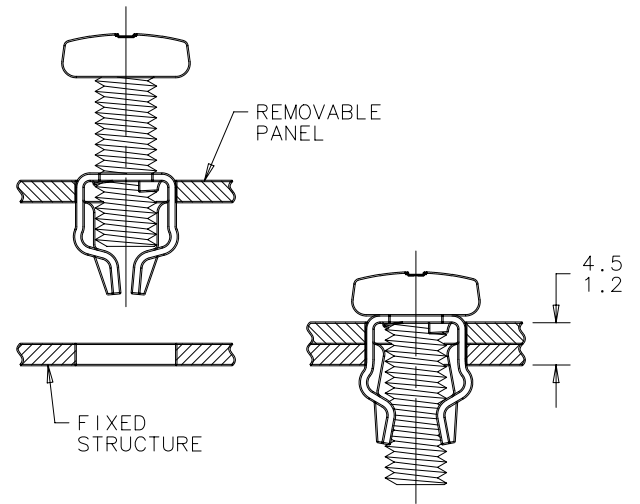
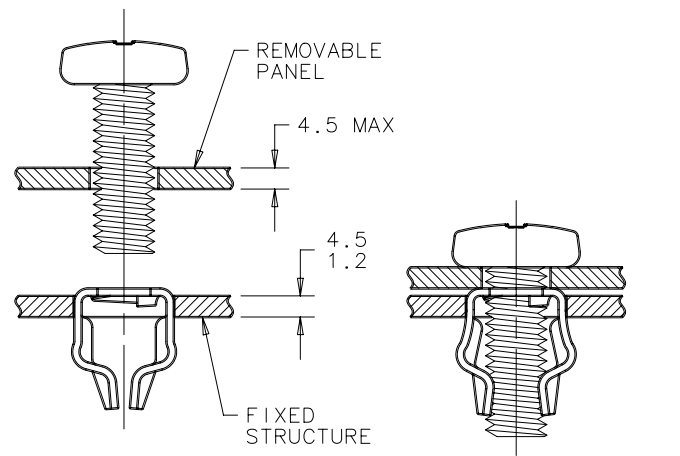
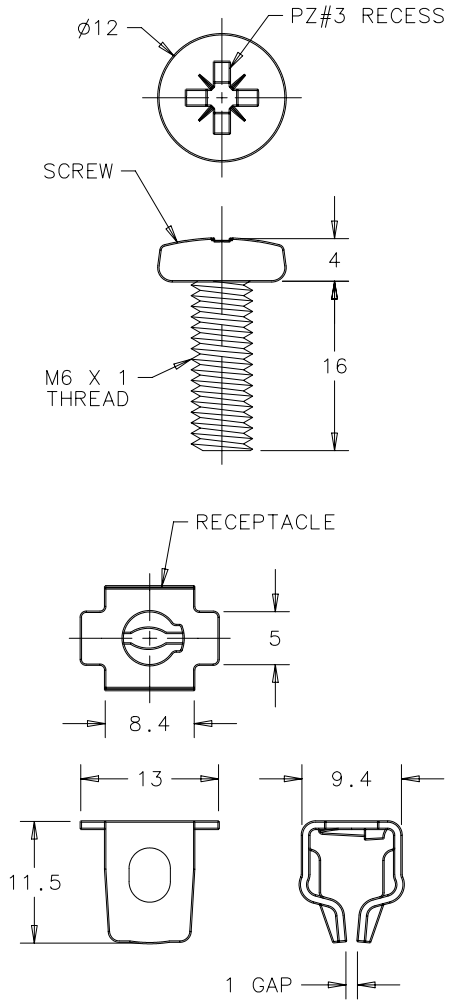
ALL DIMENSIONS WITHOUT TOLERANCES ARE FOR REFERENCE ONLY.

THIRD ANGLE PROJECTION

A4 PAPER SIZE

INSTALLATION OPTION 1

INSTALLATION OPTION 2



REMOVABLE PANEL HOLE PREPARATION

FIXED STRUCTURE HOLE PREPARATION

HOLE PREPARATION (BOTH PANELS)