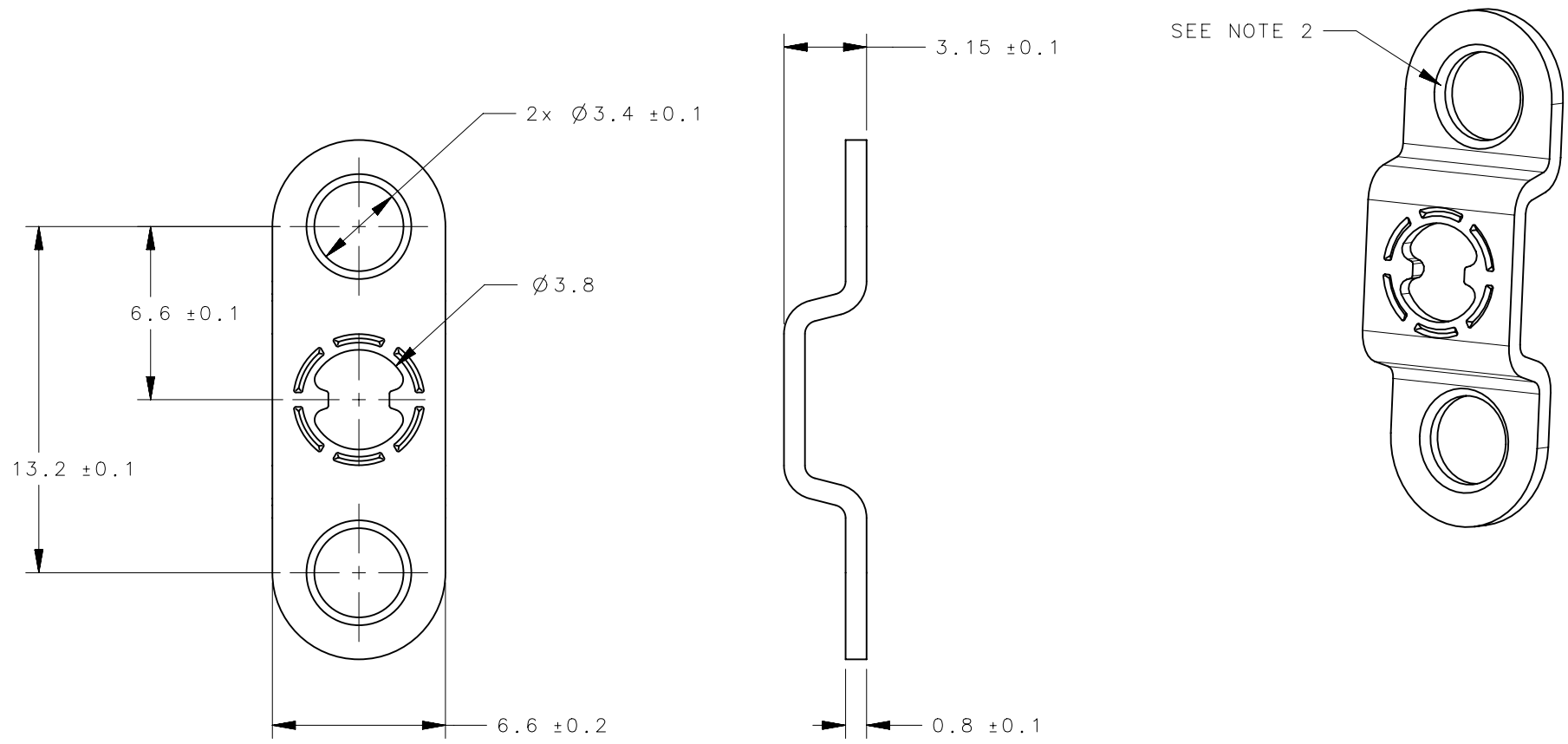


REVISION HISTORY			
REV	DATE	BY	DESCRIPTION
D	07SEP2017	MJS/JCG	PRN: P2017-1189

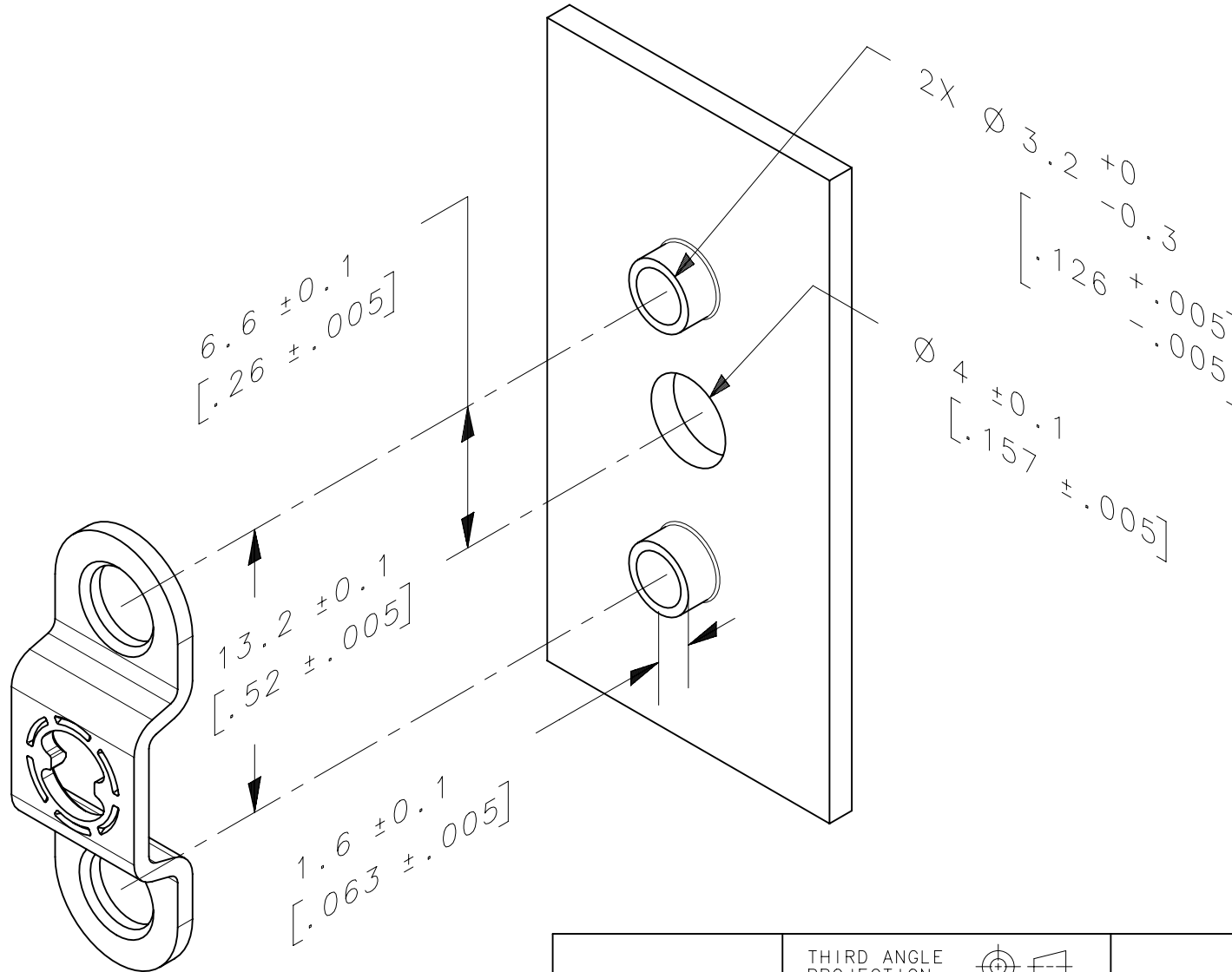


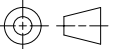

NOTES:

1. RoHS COMPLIANT.
2. MATING POST OD TO BE $\varnothing 3.2 +0/-0.3$.
3. COSMETIC SPECIFICATION:
ALL SURFACES, UNLESS OTHERWISE NOTED, ARE TO CONFORM TO A CLASS "C" DESIGNATION AS DESCRIBED IN SOUTHCO COSMETIC SPECIFICATION:
S-121-02 FOR ZINC PLATING

D9-62-11	RECEPTACLE	STEEL	ZINC PLATE
PART NUMBER	TYPE OF COMPONENT	MATERIAL	FINISH
	THIRD ANGLE PROJECTION	 CONNECT • CREATE • INNOVATE	
	MILLIMETERS [IN]		
	TOLERANCES UNLESS OTHERWISE NOTED	DESCRIPTION	
	ALL DIMENSIONS WITHOUT TOLERANCES ARE FOR REFERENCE ONLY.	D9 CRIMP ON RECEPTACLE, SADDLE STYLE, #3.5 SIZE	
PROPRIETARY ITEM		SIZE A4	SYSTEM NX
EXCEPT FOR USES EXPRESSLY GRANTED IN WRITING, INFORMATION DISCLOSED HEREON IS CONFIDENTIAL AND ALL RIGHTS, PATENT AND OTHERWISE, ARE RESERVED BY SOUTHCO, INC.		DWG NO.	J-D9-62
PER ASME Y14.5M-1994	DRAWN BY IR	DATE 05JAN2016	SCALE DNS SHEET 1 OF 2

REVISION HISTORY			
REV	DATE	BY	DESCRIPTION
D	07SEP2017	MJS/JCG	PRN: P2017-1189



	THIRD ANGLE PROJECTION					 CONNECT • CREATE • INNOVATE				
	MILLIMETERS [IN]									
	TOLERANCES UNLESS OTHERWISE NOTED	DESCRIPTION								
SURFACE AREA	mm ²	D9 CRIMP ON RECEPTACLE INSTALLATION								
VOLUME	mm ³	SIZE		SYSTEM	DWG NO.					
<small>PROPRIETARY ITEM EXCEPT FOR USES EXPRESSLY GRANTED IN WRITING, INFORMATION DISCLOSED HEREON IS CONFIDENTIAL AND ALL RIGHTS, PATENT AND OTHERWISE, ARE RESERVED BY SOUTHCO, INC.</small>		A4		NX	J-D9-62					
PER ASME Y14.5M-1994		DRAWN BY		MJS	DATE	14JUN2016	SCALE	DNS	SHEET	2 OF 2