

southco®

PROPRIETARY ITEM - EXCEPT FOR USES EXPRESSLY GRANTED IN WRITING INFORMATION DISCLOSED HEREON IS CONFIDENTIAL AND ALL RIGHTS PATENT AND OTHERWISE ARE RESERVED BY SOUTHCO, INC.

PILOT STANDARD RECEPTACLE

DATE	DRAWN	CHKD	SCALE
02FEB2006	KN		5:1

DRAWING NUMBER
J-D7-285-1

REV	DATE	DRAWN/CHKD	DESCRIPTION	PART NUMBER	MATERIAL	FINISH	'S'	SUPPORT THICKNESS
				D7-285-101-161			2.10	0.7 - 1.2
				D7-285-102-161	SPRING STEEL	ZINC PHOSPHATE	2.60	1.3 - 1.7
				D7-285-103-161			3.10	1.8 - 2.2

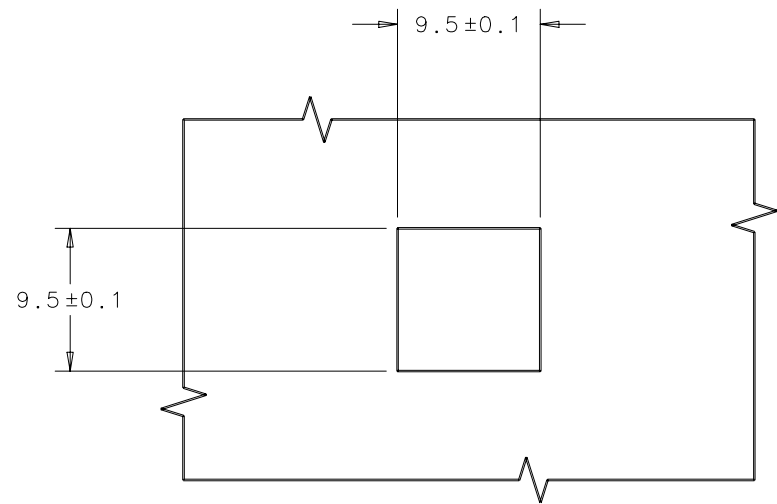
MILLIMETERS

ALL DIMENSIONS WITHOUT TOLERANCES ARE FOR REFERENCE ONLY.

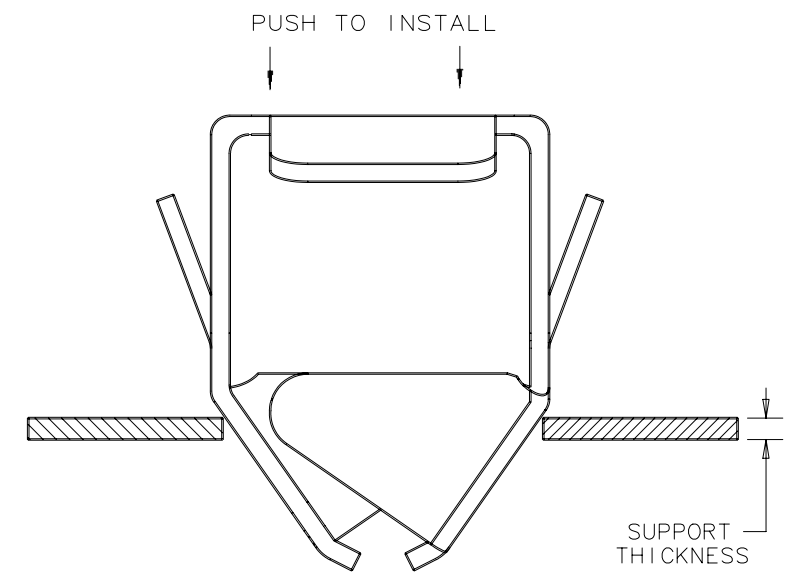
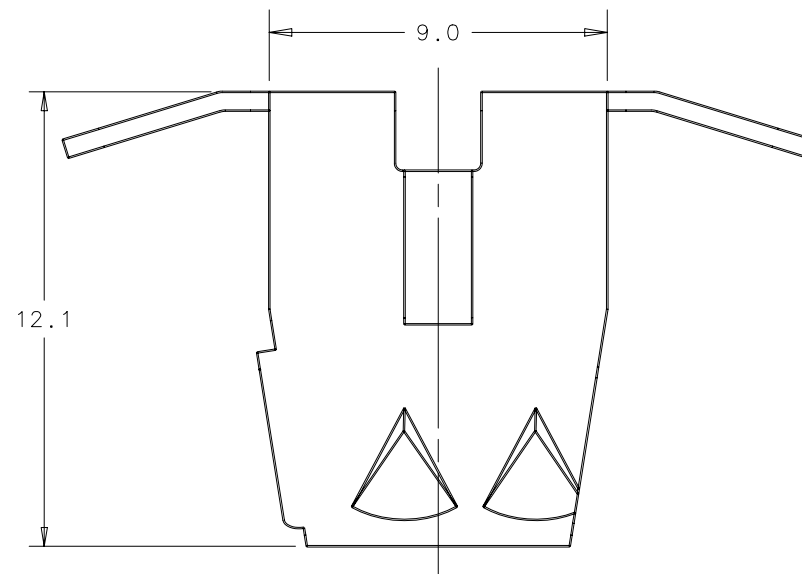
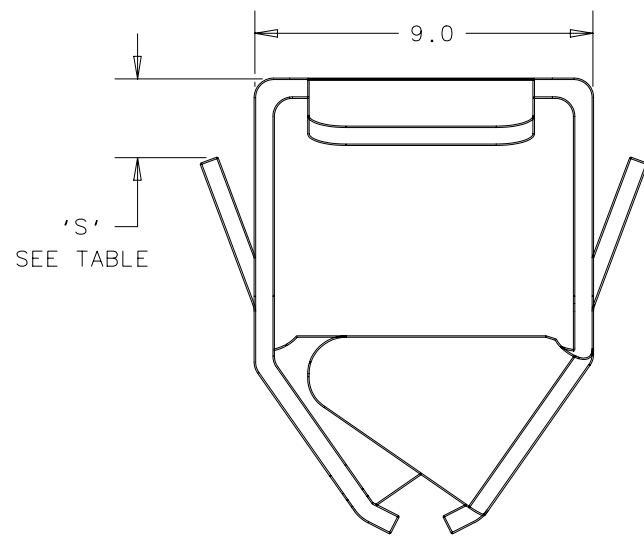
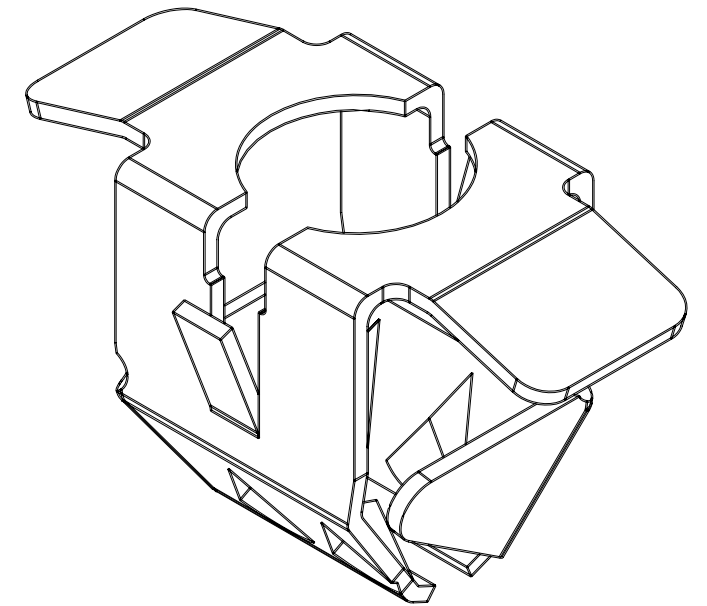
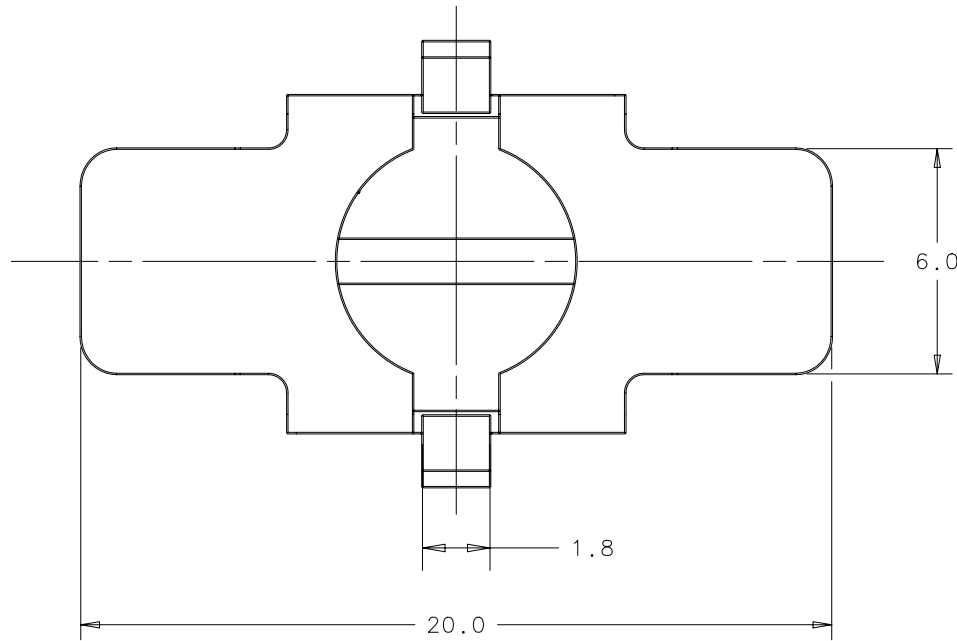
THIRD ANGLE PROJECTION

A3 PAPER SIZE

PANEL PREPERATION



SCALE 2:1



INSTALLATION