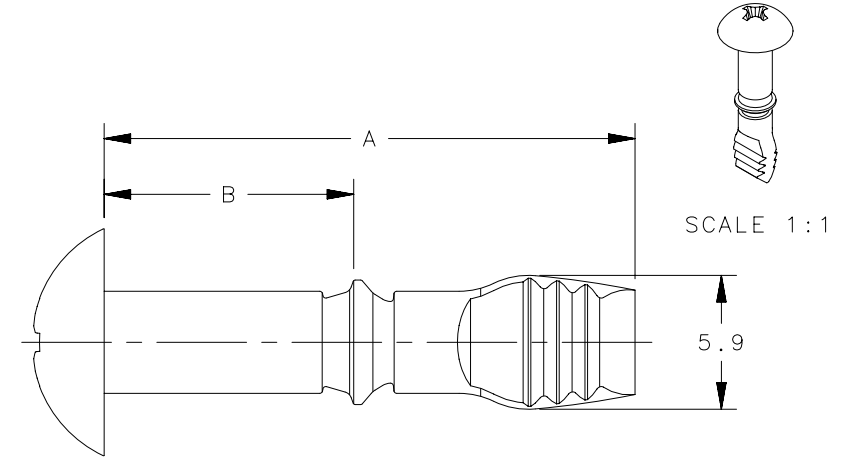
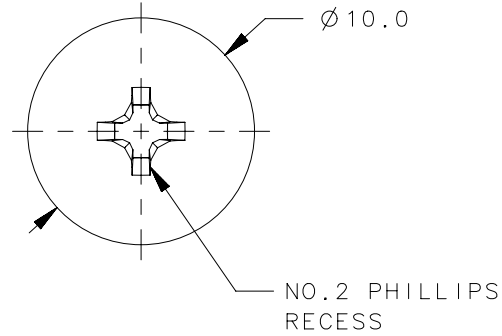
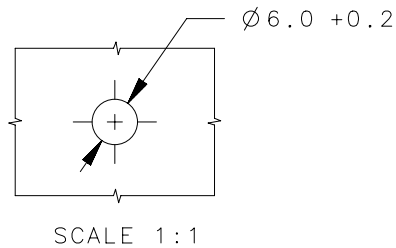


REVISION HISTORY			
REV	DATE	BY	DESCRIPTION
C	25JAN2018	ANT/MGG	PRN: P2018-0187

PANEL PREPRATION



XXX	MATERIAL	FINISH
190	STEEL	ZINC PLATE, CHROMATE DIP
191	STEEL	ZINC PLATE, BLACK CHROMATE
131	STEEL	ZINC PLATE, BLACK POLYMER
151	STEEL	BLACK XYLAN XL

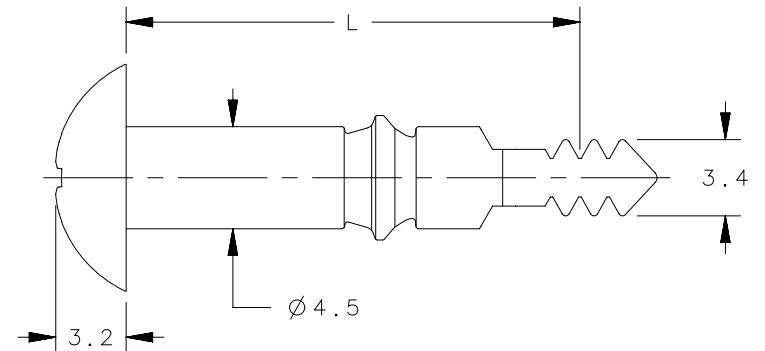
PART NUMBERS

D7-265-7YY-XXX

BASIC PART NUMBER

DENOTES "L" DIMENSION

DENOTES MATERIAL AND FINISH



YY	"L"	"B"	"A"
16	16.0	7.0	19.4
18	18.0	9.0	21.4
20	20.0	11.0	23.4
22	22.0	13.0	25.4
24	24.0	15.0	27.4
26	26.0	17.0	29.4
28	28.0	19.0	31.4
30	30.0	21.0	33.4
32	32.0	23.0	35.4
34	34.0	25.0	37.4
36	36.0	27.0	39.4
37	37.0	28.0	40.4
38	38.0	29.0	41.4
40	40.0	31.0	43.4
42	42.0	33.0	45.4
44	44.0	35.0	47.4

	THIRD ANGLE PROJECTION	 CONNECT • CREATE • INNOVATE			
	MILLIMETERS [IN]				
	TOLERANCES UNLESS OTHERWISE NOTED	DESCRIPTION PILOT STUD			
SURFACE AREA	ALL DIMENSIONS WITHOUT TOLERANCES ARE FOR REFERENCE ONLY.	SIZE A4	SYSTEM NX	DWG NO. J-D7-265-7	
VOLUME		DRAWN BY SRK		DATE 01FEB2006	SCALE 3:1
PROPRIETARY ITEM EXCEPT FOR USES EXPRESSLY GRANTED IN WRITING, INFORMATION DISCLOSED HEREON IS CONFIDENTIAL AND ALL RIGHTS, PATENT AND OTHERWISE, ARE RESERVED BY SOUTHCO, INC.	PER ASME Y14.5M-1994				