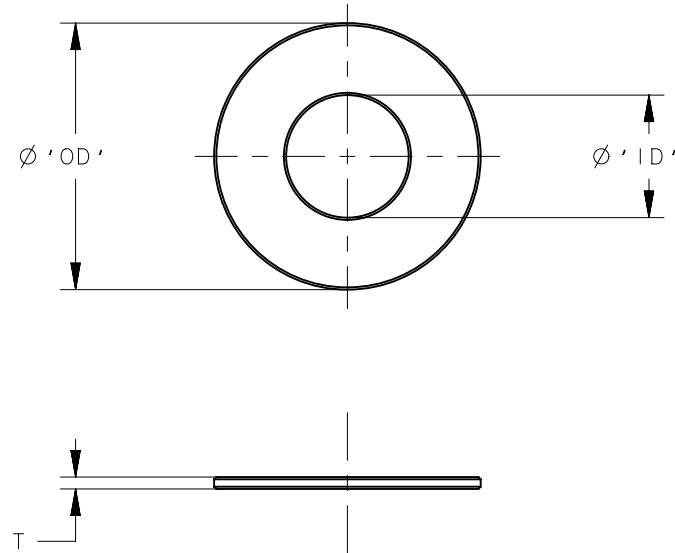


REVISION HISTORY			
REV	DATE	BY	DESCRIPTION
G	08DEC2017	NSB/DMS	PRN: P2017-3007



SCALE 1:1



D8-329-100-040	15.8	8.2	0.8	POLYTHENE	BLACK
D8-324-100-040	8.0	4.1	0.5	POLYTHENE	BLACK
D8-326-100-040	11.8	5.4	0.5	POLYTHENE	BLACK
D8-329-101-040	15.8	8.1	1.0	NYLON 6/6	BLACK
D8-326-100-041	11.8	5.4	0.5	POLYTHENE	NATURAL
PART NUMBER	\varnothing 'OD' ± 0.5	\varnothing 'ID' ± 0.3	T ± 0.2	MATERIAL	COLOUR

	THIRD ANGLE PROJECTION					 CONNECT • CREATE • INNOVATE			
	MILLIMETERS [IN]								
	TOLERANCES UNLESS OTHERWISE NOTED	DESCRIPTION				D8 RETAINERS			
	ALL DIMENSIONS WITHOUT TOLERANCES ARE FOR REFERENCE ONLY.	SIZE	SYSTEM	DWG NO.					
	PROPRIETARY ITEM	A4	NX	J-D8-08					
EXCEPT FOR USES EXPRESSLY GRANTED IN WRITING, INFORMATION DISCLOSED HEREON IS CONFIDENTIAL AND ALL RIGHTS, PATENT AND OTHERWISE, ARE RESERVED BY SOUTHCO, INC.	PER ASME Y14.5M-1994	DRAWN BY	DME/LJ	DATE	30JUL2009	SCALE	3:1	SHEET	1 OF 1