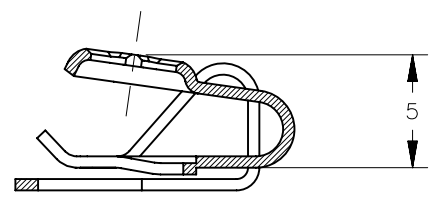
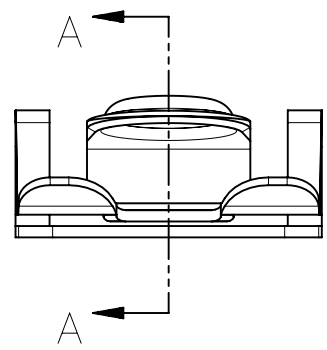


REVISION HISTORY			
REV	DATE	BY	DESCRIPTION
A	25NOV2013	JAJ/YGC	PRN: P2013-2335



SCALE 1:1



SECTION A-A

NOTES:
1. MAXIMUM WORKING LOAD 27 LBF (120 N).

D2-533-300-190	RECEPTACLE	CARBON STEEL	ZINC, BRIGHT CHROMATE
D2-533-300-130	RECEPTACLE	CARBON STEEL	SILVER ORGANIC
SOUTHCO PART NUMBER	TYPE OF COMPONENT	MATERIAL	FINISH

THIRD ANGLE PROJECTION		 CONNECT • CREATE • INNOVATE	
MILLIMETERS [IN]			
TOLERANCES UNLESS OTHERWISE NOTED		DESCRIPTION	
ALL DIMENSIONS WITHOUT TOLERANCES ARE FOR REFERENCE ONLY.		DZUS RAPIERE MINI CLIP ON RECEPTACLE 3.5 mm	
PROPRIETARY ITEM <small>EXCEPT FOR USES EXPRESSLY GRANTED IN WRITING, INFORMATION DISCLOSED HEREON IS CONFIDENTIAL AND ALL RIGHTS, PATENT AND OTHERWISE, ARE RESERVED BY SOUTHCO, INC.</small>	PER ASME Y14.5M-1994	SIZE A4	SYSTEM NX
		DWG NO. J-D2-533-300	
		DRAWN BY JAJ/YGC	DATE 25NOV2013
		SCALE 3:1	SHEET 1 OF 1