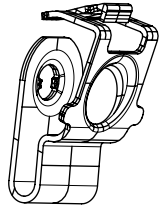
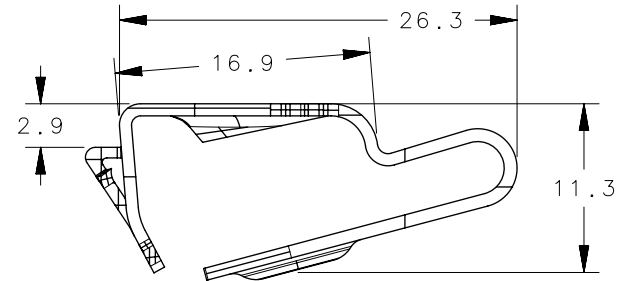
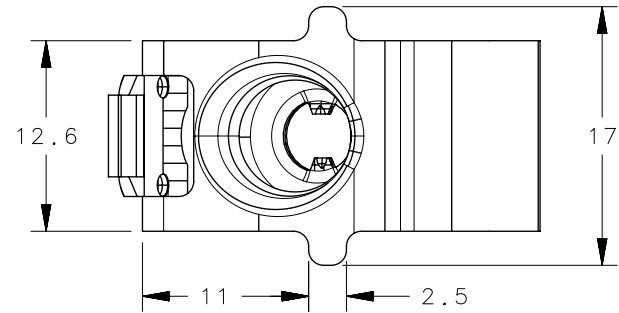
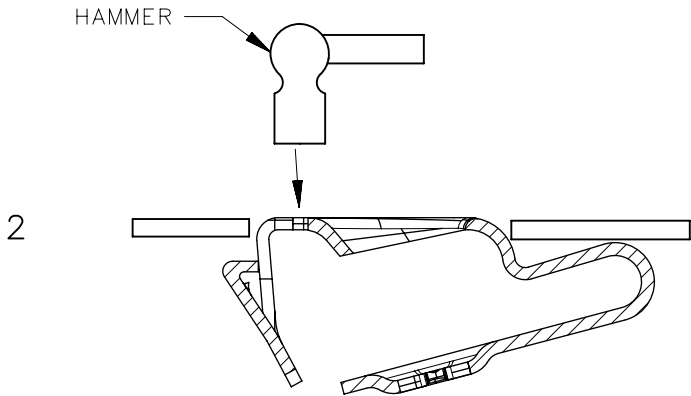
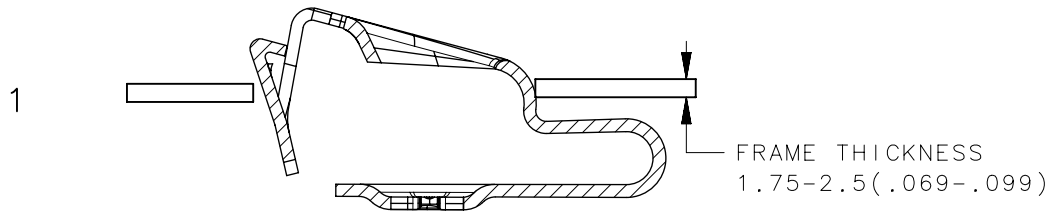
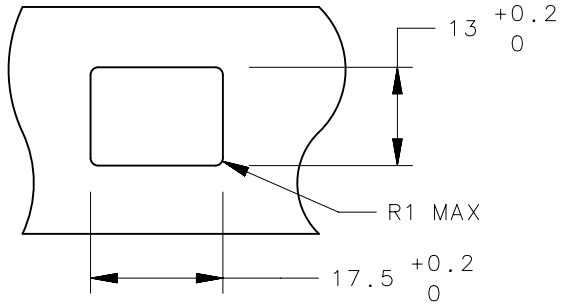


FRAME PREPARATION DETAILS



SCALE 1:1

| REVISION HISTORY | | | |
|------------------|-----------|---------|-----------------|
| REV | DATE | BY | DESCRIPTION |
| A | 27FEB2019 | CBI/DMS | PRN: P2019-0527 |

- NOTES:
- A. INSTALLATION INSTRUCTIONS:
 1. INSERT RECEPTACLE INTO FRAME OPENING.
 2. STRIKE RECEPTACLE TO INSTALL INTO FRAME.
 - B. TO BE FREE FROM BURRS AND SHARP EDGES.
 - C. DIMENSIONS APPLY AFTER HEAT TREATMENT AND PLATING .
 - D. SUPPORT THICKNESS 1.75-2.5MM.

| | | | |
|---|---|---------------------------------|-------------------|
| D8-334-700-121 | CLIP-IN RECEPTACLE | CARBON STEEL | SILVER GEOMET |
| PART NUMBER | TYPE OF COMPONENT | MATERIAL | FINISH |
| | THIRD ANGLE PROJECTION | CONNECT • CREATE • INNOVATE | |
| | MILLIMETERS [IN] | | |
| | TOLERANCES UNLESS OTHERWISE NOTED | | |
| | ALL DIMENSIONS WITHOUT TOLERANCES ARE FOR REFERENCE ONLY. | DESCRIPTION | |
| PROPRIETARY ITEM <small>EXCEPT FOR USES EXPRESSLY GRANTED IN WRITING, INFORMATION DISCLOSED HEREON IS CONFIDENTIAL AND ALL RIGHTS, PATENT AND OTHERWISE, ARE RESERVED BY SOUTHCO, INC.</small> | PER ASME Y14.5M-1994 | SIZE A4 | SYSTEM NX |
| | | DWG NO. J-D8-334-700 | |
| | | DRAWN BY CBI/DMS | DATE 27FEB2019 |
| | | SCALE 2:1 | SHEET 1 OF 1 |