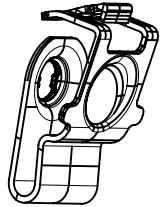
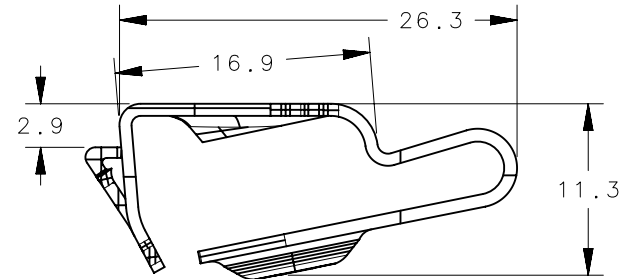
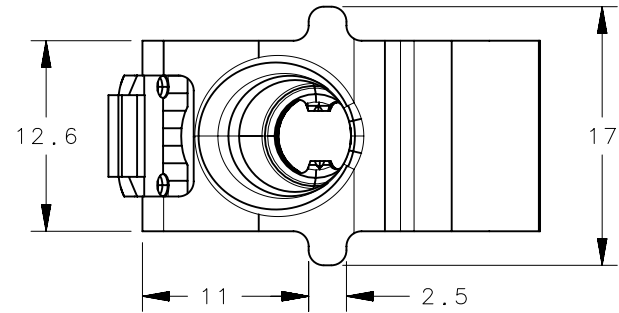
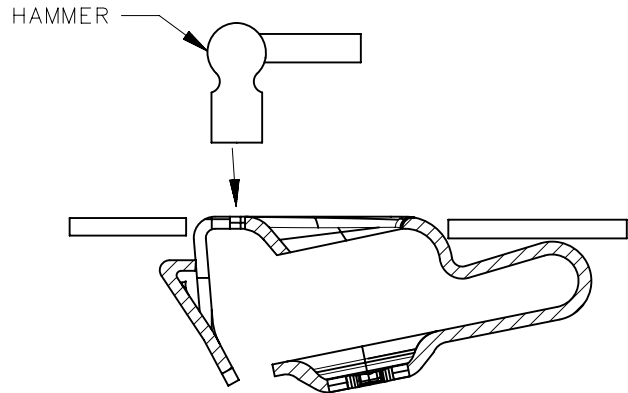
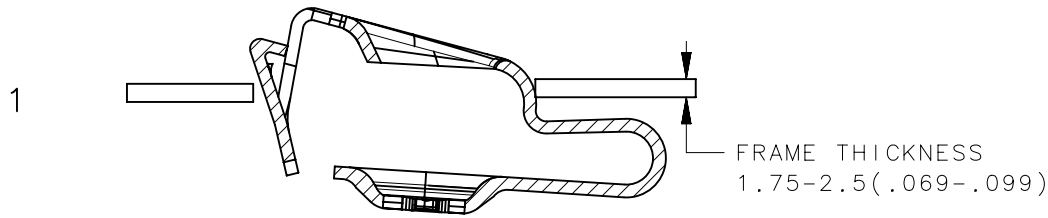
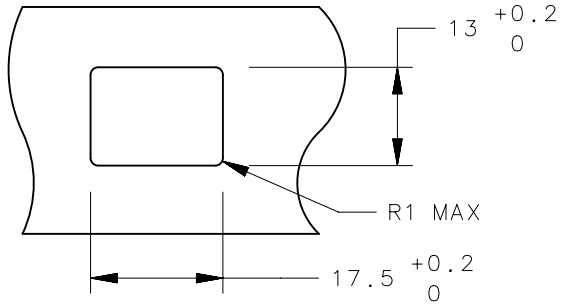


FRAME PREPARATION DETAILS



SCALE 1:1

REVISION HISTORY			
REV	DATE	BY	DESCRIPTION
B	21FEB2019	CBI/DMS	PRN: P2019-0477

- NOTES:
- A. INSTALLATION INSTRUCTIONS:
 1. INSERT RECEPTACLE INTO FRAME OPENING.
 2. STRIKE RECEPTACLE TO INSTALL INTO FRAME.
 - B. TO BE FREE FROM BURRS AND SHARP EDGES.
 - C. DIMENSIONS APPLY AFTER HEAT TREATMENT AND PLATING .
 - D. SUPPORT THICKNESS 1.75-2.5MM.

D8-336-700-121	CLIP-IN RECEPTACLE	CARBON STEEL	SILVER GEOMET
PART NUMBER	TYPE OF COMPONENT	MATERIAL	FINISH
	THIRD ANGLE PROJECTION	 CONNECT • CREATE • INNOVATE	
	MILLIMETERS [IN]		
	TOLERANCES UNLESS OTHERWISE NOTED		
	ALL DIMENSIONS WITHOUT TOLERANCES ARE FOR REFERENCE ONLY.		
PROPRIETARY ITEM EXCEPT FOR USES EXPRESSLY GRANTED IN WRITING, INFORMATION DISCLOSED HEREON IS CONFIDENTIAL AND ALL RIGHTS, PATENT AND OTHERWISE, ARE RESERVED BY SOUTHCO, INC.	PER ASME Y14.5M-1994	DESCRIPTION PANEX #6 CLIP-IN RECEPTACLE	SIZE A4 SYSTEM NX DWG NO. J-D8-336-700
		DRAWN BY CBI/DMS	DATE 11FEB2019
		SCALE 2:1	SHEET 1 OF 1