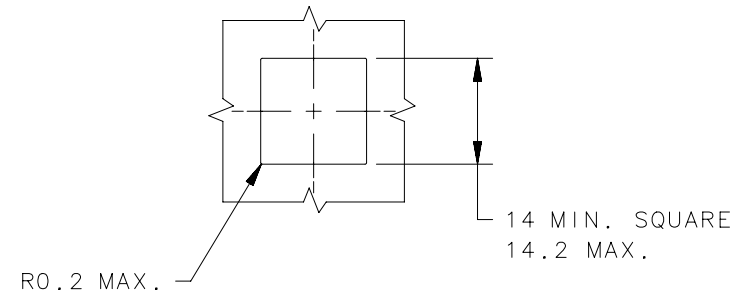
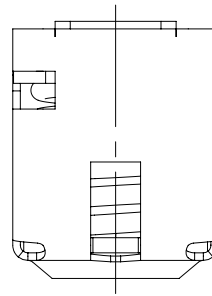
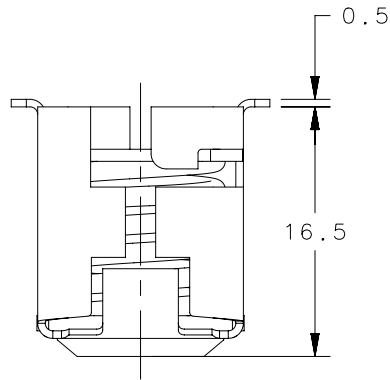
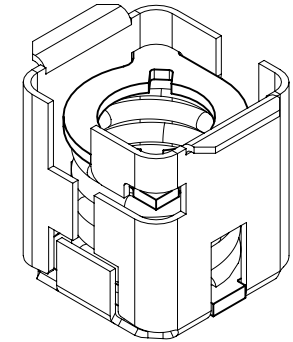
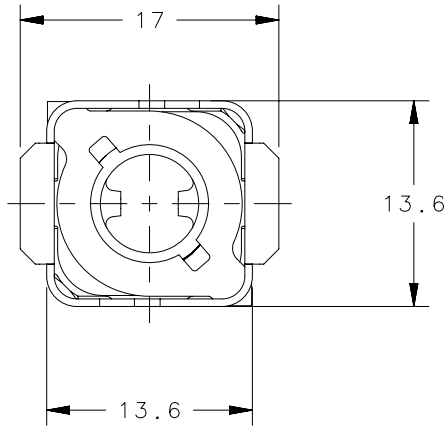


REVISION HISTORY			
REV	DATE	BY	DESCRIPTION
C	30APR2014	MWC/YGC	PRN: P2014-0863



0.7 MIN. - 3.2 MAX. PANEL THICKNESS

### PANEL PREPARATION

D8-336-200-190	FRONT MOUNT RECEPTACLE	CARBON STEEL	ZINC PLATE
D8-336-200-121	FRONT MOUNT RECEPTACLE	CARBON STEEL	SILVER GEOMET
PART NUMBER	TYPE OF COMPONENT	MATERIAL	FINISH

	THIRD ANGLE PROJECTION	 CONNECT • CREATE • INNOVATE			
	MILLIMETERS [IN]				
	TOLERANCES UNLESS OTHERWISE NOTED	DESCRIPTION PANEX SIZE 6 FRONT MOUNT RECEPTACLE			
	ALL DIMENSIONS WITHOUT TOLERANCES ARE FOR REFERENCE ONLY.	SIZE A4	SYSTEM NX	DWG NO. J-D8-336-200	
PROPRIETARY ITEM <small>EXCEPT FOR USES EXPRESSLY GRANTED IN WRITING, INFORMATION DISCLOSED HEREON IS CONFIDENTIAL AND ALL RIGHTS, PATENT AND OTHERWISE, ARE RESERVED BY SOUTHCO, INC.</small>	PER ASME Y14.5M-1994	DRAWN BY YGC	DATE 16 MAY 2010	SCALE 2:1	SHEET 1 OF 1