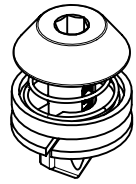
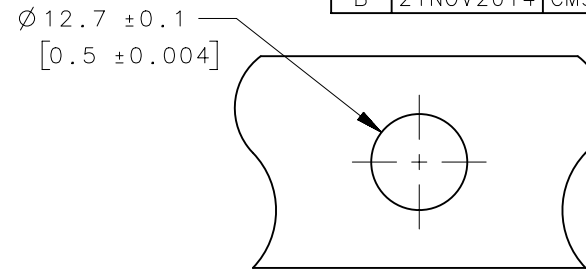
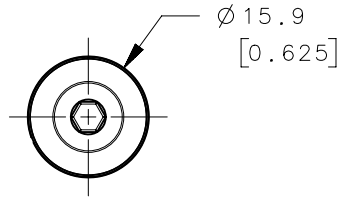
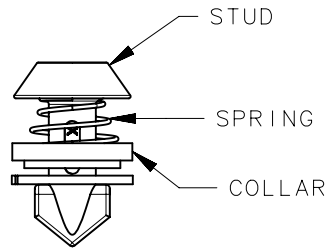


NOTE:
PLEASE REFER TO DRAWINGS:
J-D1-004-XXX-030SE
J-D1-125-XXX-030SE
J-D1-444-XXX-030SE
FOR OTHER HEADSTYLE OPTIONS.

REVISION HISTORY			
REV	DATE	BY	DESCRIPTION
B	21NOV2014	CMS/ACH	PRN: P2014-2384

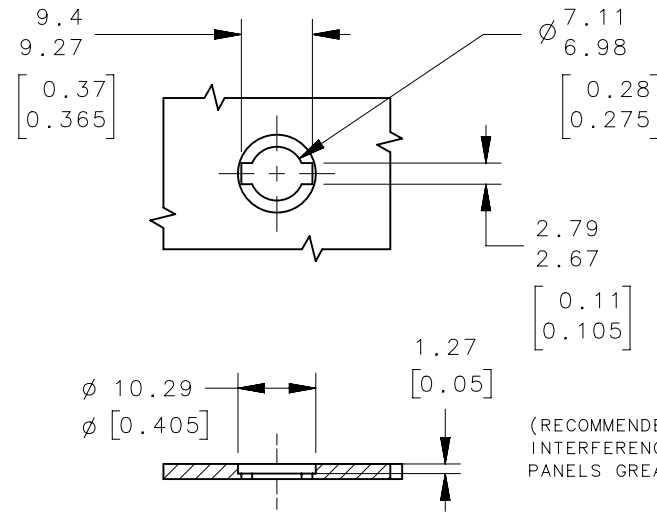
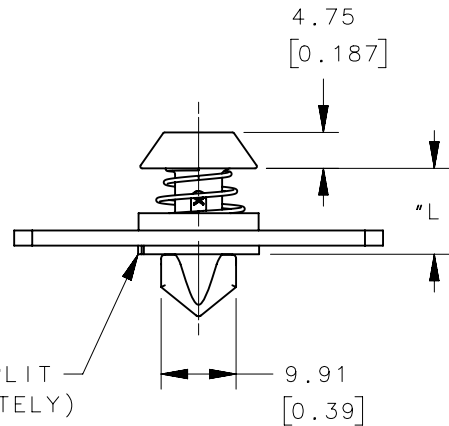


SCALE 1:1



D1-166-045-030 SHOWN

RETAINER SPLIT
(SOLD SEPARATELY)



ALTERNATE PANEL STUD HOLE

ASSEMBLY PART NUMBER	STUD "L" DIM	EJECTING SPRING
D1-166-045-030SE	11.43	D1-X1135-2S
D1-166-050-030SE	12.70	D1-X1135-2S
D1-166-055-030SE	13.97	D1-X1135-2S
D1-166-060-030SE	15.24	D1-X1135-2S
D1-166-065-030SE	16.51	D1-X1135-2S
D1-166-070-030SE	17.78	D1-X1135-2S
D1-166-075-030SE	19.05	D1-X1137-2S
D1-166-080-030SE	20.32	D1-X1137-2S
D1-166-085-030SE	21.59	D1-X1137-2S
D1-166-090-030SE	22.86	D1-X1137-2S
D1-166-095-030SE	24.13	D1-X1137-2S
D1-166-100-030SE	25.40	D1-X1137-2S

5	D1-166-XXX-030SE	1	ASSEMBLY	-	-	
4	-	1	HEX RECESS STUD	NYLON 66 15% GF	BLACK	
3	-	1	COLLAR	ACETAL	BLACK	
2	D1-004-000-010	1	RETAINER SPLIT	ACETAL COPOLYMER	BLACK	
1	-	1	SPRING	STAINLESS STEEL	NATURAL	
NO.	SOUTHCO PART NUMBER	QTY	TYPE OF COMPONENT	MATERIAL	FINISH	GENERAL NOTES

PROPRIETARY ITEM <small>EXCEPT FOR USES EXPRESSLY GRANTED IN WRITING, INFORMATION DISCLOSED HEREON IS CONFIDENTIAL AND ALL RIGHTS, PATENT AND OTHERWISE, ARE RESERVED BY SOUTHCO, INC.</small>	THIRD ANGLE PROJECTION							
	MILLIMETERS [IN]							
	TOLERANCES UNLESS OTHERWISE NOTED	DESCRIPTION	D1 STANDARD DART HEX RECESS STUD SELF EJECTING ASSEMBLY					
	ALL DIMENSIONS WITHOUT TOLERANCES ARE FOR REFERENCE ONLY.	SIZE	SYSTEM	DWG NO.	J-D1-166-XXX-030SE			
PER ASME Y14.5M-1994	DRAWN BY	ACH/MJS	DATE	08OCT2009	SCALE	1:1	SHEET	1 OF 1