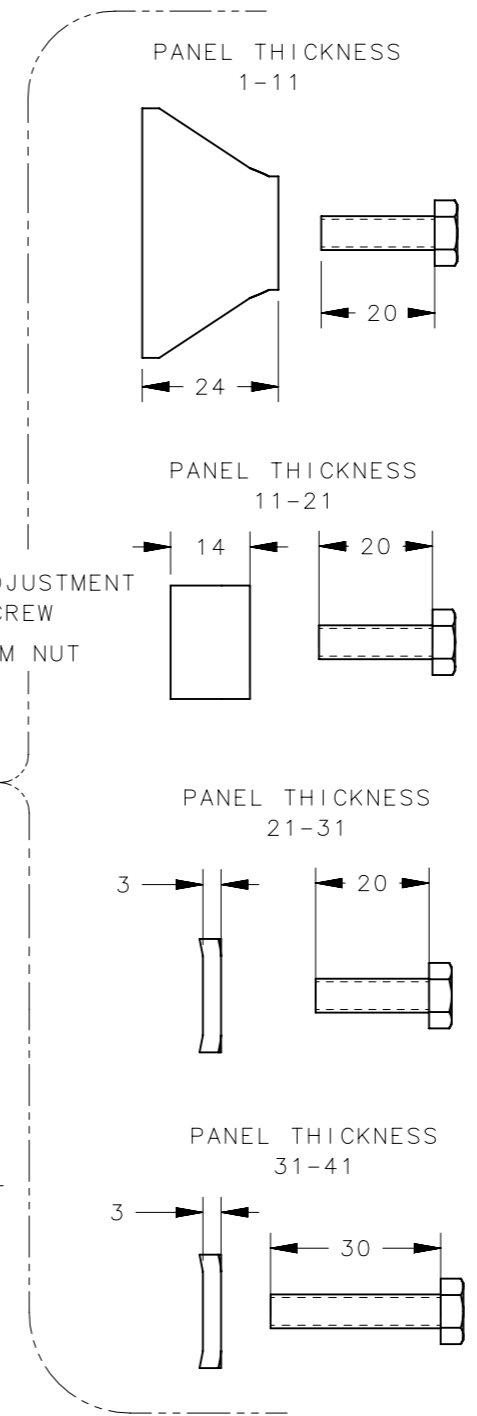
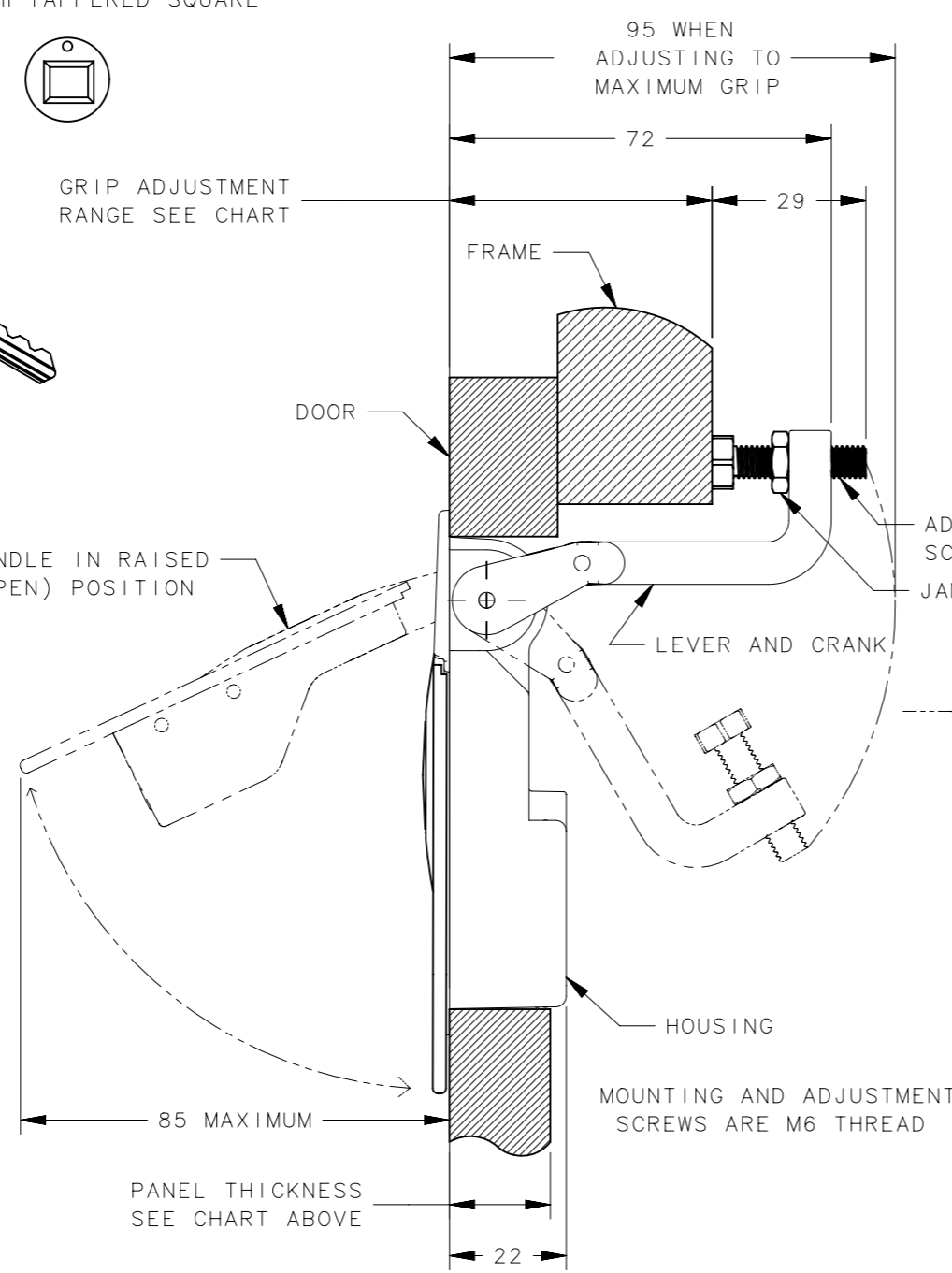
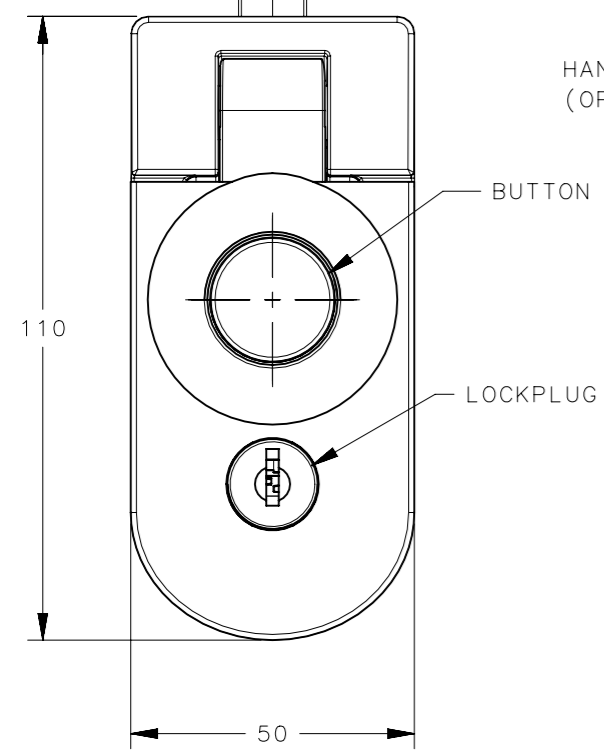
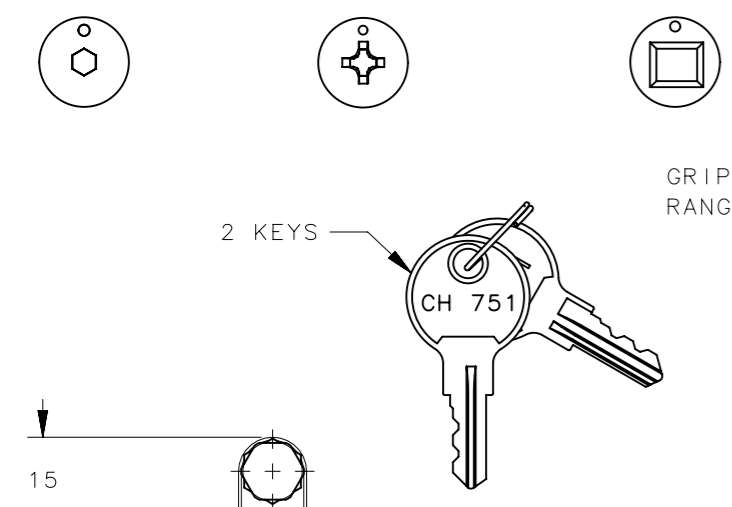
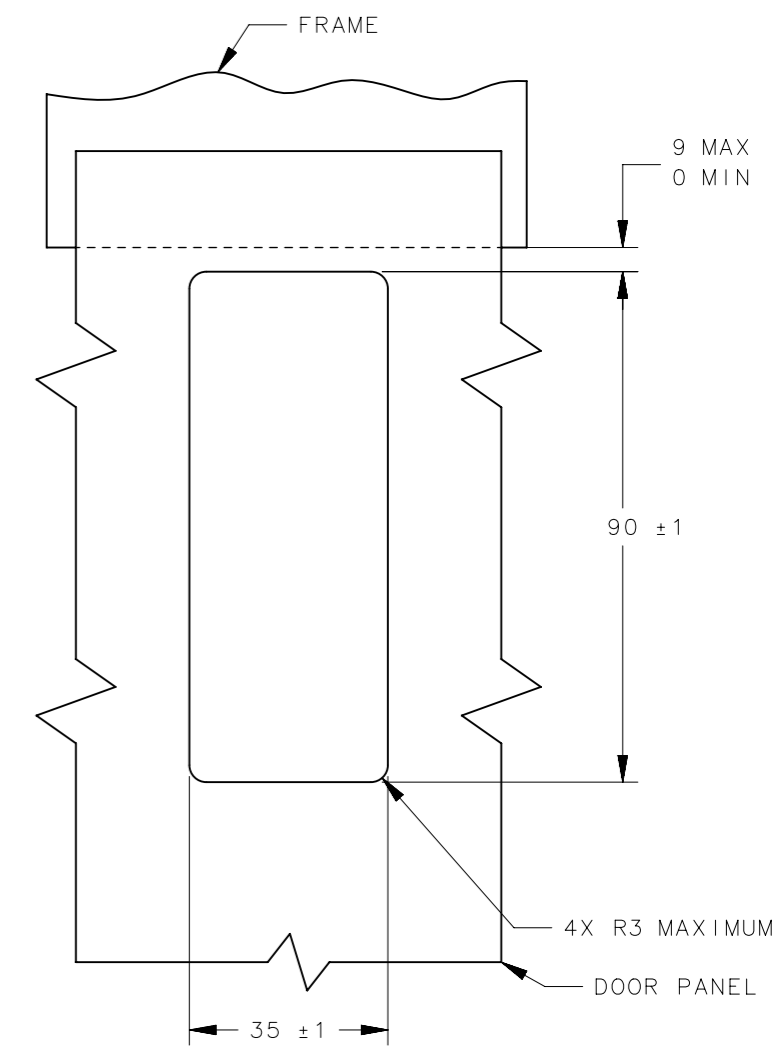


REVISION HISTORY			
REV	DATE	BY	DESCRIPTION
L	06FEB2017	DKM/YGC	PRN: P2017-0306

4mm HEX RECESS
No.2 PHILLIPS
RAILWAY STANDARD
7.5mm TAPERED SQUARE



* SHORT LEVER GRIP RANGE AVAILABLE FROM 1 TO 14 MM. REFERENCE DRAWING NUMBER J-C5-L1
MEDIUM LEVER GRIP RANGE AVAILABLE FROM 14 TO 29 MM. REFERENCE DRAWING NUMBER J-C5-L2
LONG LEVER GRIP RANGE AVAILABLE FROM 29 TO 45 MM. REFERENCE DRAWING NUMBER J-C5-L3



PANEL PREPARATION

- NOTES:
- MATERIAL AND FINISH:
HOUSING, HANDLE, BUTTON AND PAWL: DIE CAST ZINC, BLACK POWDER COATING, LEVER AND CRANK: DIE CAST ZINC, CLEAR CHEMICAL PROTECTIVE FILM, TORSION SPRING: 302 STAINLESS STEEL, PASSIVATED, O-RING: BUNA-N, NATURAL ROLL PIN: 420 STAINLESS STEEL, PASSIVATED, LOCK PLUG: DIE CAST ZINC, BLACK POWDER COATING, SHUTTERED LOCK PLUG: DIE CAST ZINC WITH ALUMINIUM, BLACK ANODIZED CAP AND 304 STAINLESS STEEL, NATURAL SHUTTER, KEYS: BRASS, NICKEL PLATED ADJUSTING SCREW, JAM NUT, MOUNTING BRACKET AND SCREW: 1010 STEEL, ZINC PLATED WITH SEALED YELLOW CHROMATE; OR 300 SERIES STAINLESS STEEL, PASSIVATED (SEE TABLE).
 - X = POWDER COATING COLOR
1 = CARDINAL WHITE WITH STEEL HARDWARE, 2 = CARDINAL WHITE WITH STAINLESS STEEL HARDWARE
3 = SILVER METALLIC POLYESTER URETHANE WITH STEEL HARDWARE
4 = SILVER METALLIC POLYESTER URETHANE WITH STAINLESS STEEL HARDWARE
5 = BLACK WITH STEEL HARDWARE, 6 = BLACK WITH STAINLESS STEEL HARDWARE
7 = SATIN SILVER WITH STEEL HARDWARE, 8 = SATIN SILVER WITH STAINLESS STEEL HARDWARE
12 = POLISHED CHROME, STEEL HARDWARE
 - LOCKPLUG INSTALLATION:
A. POSITION LOCKPLUG AND ORIENT RETAINING WAFER (LAST WAFER LOCATED AT THE BOTTOM OF LOCK) AT THE 3 O'CLOCK POSITION AND INSERT INTO THE HANDLE.
B. BE SURE THE LOCKPLUG IS FULLY SEATED AGAINST THE HANDLE, THEN REMOVE KEY.

31-41	45-57	C5-24-4X	C5-34-45	C5-34-46	C5-44-4X	C5-54-4X	C5-64-4X	C5-94-4X
21-31		C5-23-4X	C5-33-45	C5-33-46	C5-43-4X	C5-53-4X	C5-63-4X	C5-93-4X
11-21		C5-22-4X	C5-32-45	C5-32-46	C5-42-4X	C5-52-4X	C5-62-4X	C5-92-4X
1-11		C5-21-4X	C5-31-45	C5-31-46	C5-41-4X	C5-51-4X	C5-61-4X	C5-91-4X
PANEL THICKNESS	EXTRA LONG* LEVER GRIP RANGE	STANDARD KEY LOCK	PLATED STEEL HARDWARE	STAINLESS STEEL HARDWARE	4 MM HEX RECESS	No. 2 PHILLIPS	RAILWAY STANDARD	WITHOUT LOCKPLUG
			SHUTTERED KEY LOCK					
			BLACK POWDER COATING					

THIRD ANGLE PROJECTION

MILLIMETERS [IN]

TOLERANCES UNLESS OTHERWISE NOTED

ALL DIMENSIONS WITHOUT TOLERANCES ARE FOR REFERENCE ONLY.

PROPRIETARY ITEM
EXCEPT FOR USES EXPRESSLY GRANTED IN WRITING, INFORMATION DISCLOSED HEREON IS CONFIDENTIAL AND ALL RIGHTS, PATENT AND OTHERWISE, ARE RESERVED BY SOUTHCO, INC.

PER ASME Y14.5M-1994

DESCRIPTION: C5 SEALED LEVER LATCH WITH KEY OR TOOL ACCESS LOCKS

SIZE: A3 SYSTEM: NX DWG NO.: J-C5-L4

DRAWN BY: JAD DATE: 26MAR1992 SCALE: 0.75:1 SHEET: 1 OF 1

southco
CONNECT • CREATE • INNOVATE