



C3 SNAP-IN GRABBER™ CATCH FOR PANELS 2.9-5.3mm THICK

| DATE | DRAWN | CHKD | SCALE | DRAWING NUMBER |
|-----------|-------|------|-------|----------------|
| 25 JAN 94 | LBZ | | FULL | J-C3-5 |

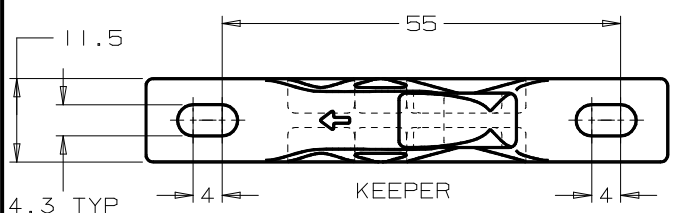
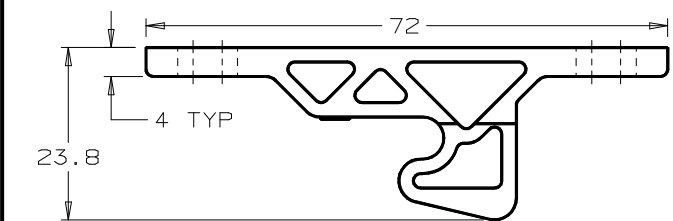
| REV. | DATE | BY-CHKD | REVISIONS |
|------|---------|------------|-----------------------------------|
| A | 26MAY94 | LBZ | PRN: C3-66 |
| B | 05AUG96 | GDM | PRN: C3-98 |
| C | 04MAR98 | GAT | PRN: C3-127; REVISED SNAP-IN LEGS |
| D | 15MAY98 | AJH CHW | PRN: C3-132 |

| ASSEMBLY PART NUMBERS | | |
|-----------------------|--------|----------|
| PULL-UP FORCE | BLACK | WHITE |
| 13N | C3-503 | C3-503-2 |
| 22N | C3-505 | C3-505-2 |
| 44N | C3-510 | C3-510-2 |

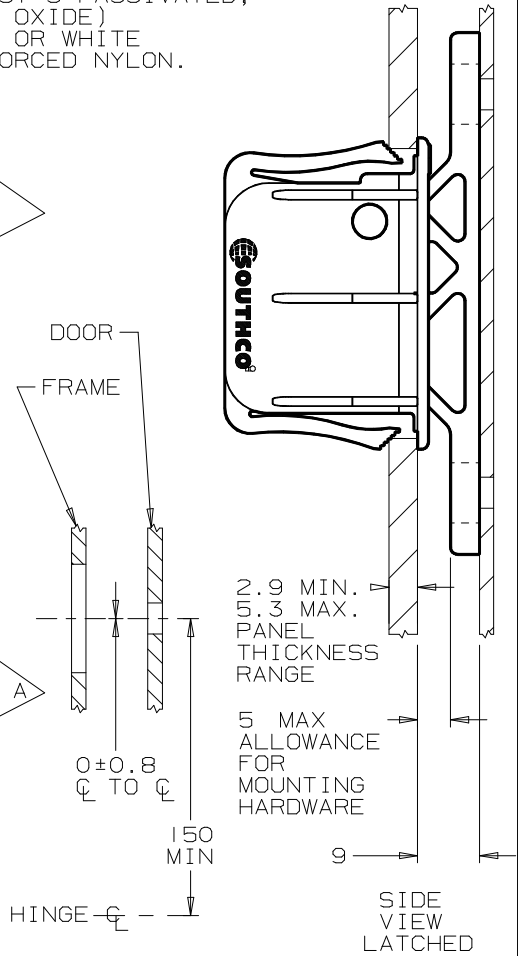
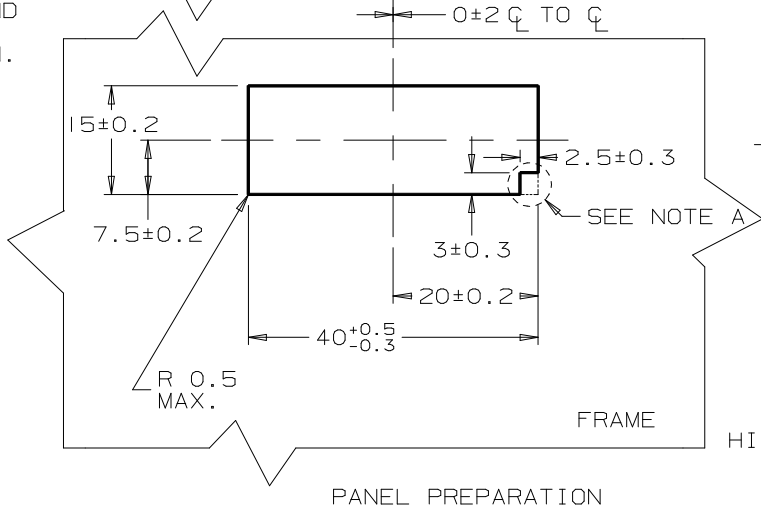
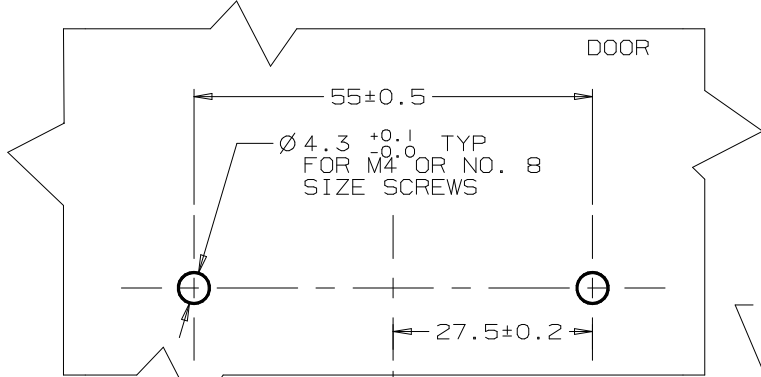
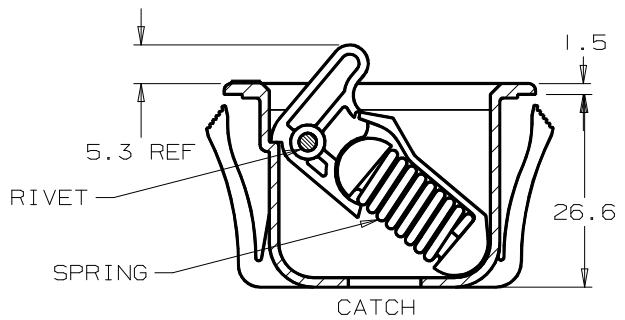
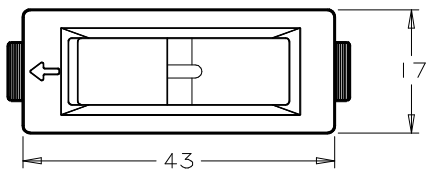
PACKAGING NOTE: CATCH AND KEEPER SHIPPED SEPARATELY. BULK. FOR CATCH AND KEEPER PACKAGED ONE PER BAG, ADD -P TO PART NUMBER. EXAMPLE: C3-503-2-P

INSTALLATION INSTRUCTIONS: SNAP CATCH INTO FRAME. MOUNT KEEPER TO DOOR AND ADJUST FOR SMOOTH LATCHING.

MATERIAL AND FINISH:
 RIVET: 5056 ALUMINUM, NATURAL.
 HOUSING: ABS POLYCARBONATE BLEND, BLACK OR WHITE.
 SPRING: 302 STAINLESS STEEL (22N ASSY'S PASSIVATED, 13N AND 44N ASSY'S PASSIVATED BLACK OXIDE)
 KEEPER: MINERAL FILLED NYLON, BLACK OR WHITE
 OTHER COMPONENTS: GLASS FIBER REINFORCED NYLON.



BE SURE THE ARROW ON THE KEEPER AND THE HOUSING ARE POINTING IN THE SAME DIRECTION DURING INSTALLATION.



2.9 MIN.
5.3 MAX.
PANEL THICKNESS RANGE

5 MAX ALLOWANCE FOR MOUNTING HARDWARE

PANEL PREPARATION

PANEL PREPARATION TOP VIEW

NOTE A: THIS FEATURE IS TO ACCOMMODATE OPTIONAL ONE WAY INSTALLATION.

FORMAT 3/88

PROPRIETARY ITEM - EXCEPT FOR USES EXPRESSLY GRANTED IN WRITING INFORMATION DISCLOSED HEREON IS CONFIDENTIAL AND ALL RIGHTS PATENT AND OTHERWISE ARE RESERVED BY SOUTHCO, INC.

DIMENSIONS IN MILLIMETERS
THIRD ANGLE PROJECTION

DIMENSIONS WITHOUT TOLERANCES ARE FOR REFERENCE ONLY.

| DRAWING NUMBER |
|----------------|
| J-C3-5 |