



# C3 SNAP-IN GRABBER™ CATCH FOR PANELS 1.1-2.9mm THICK

DATE	DRAWN	CHKD	SCALE	DRAWING NUMBER
25 JAN 94	LBZ		FULL	J-C3-3

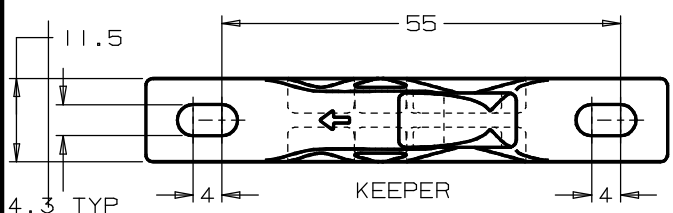
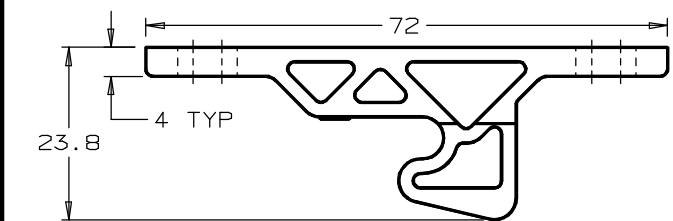
REV.	DATE	BY-CHKD	REVISIONS
A	26 MAY 94	LBZ	PRN: C3-66
B	05AUG96	GDM	PRN: C3-98
C	02MAR98	GAT	PRN: C3-127; REVISED LEG INSERTS
D	15MAY98	AJH CHW	PRN: C3-132

ASSEMBLY PART NUMBERS		
PULL-UP FORCE	BLACK	WHITE
13N	C3-303	C3-303-2
22N	C3-305	C3-305-2
44N	C3-310	C3-310-2

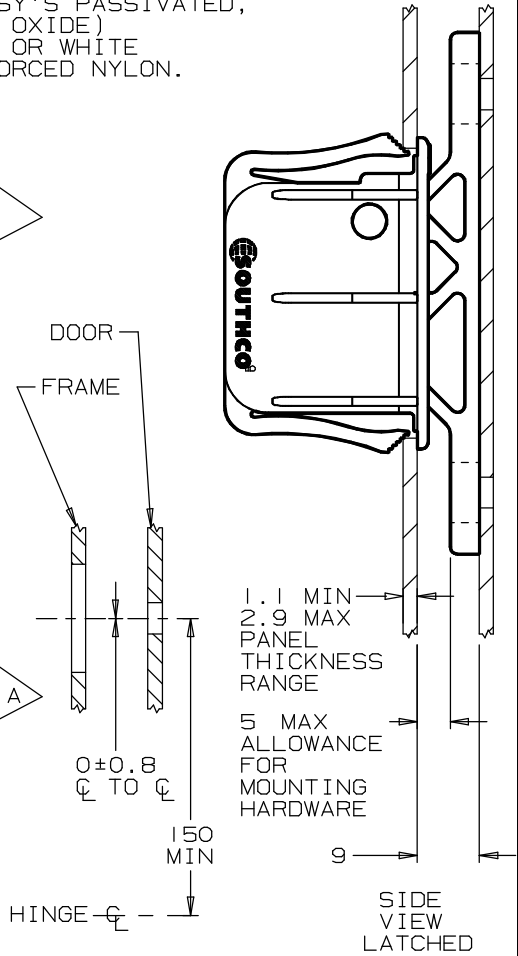
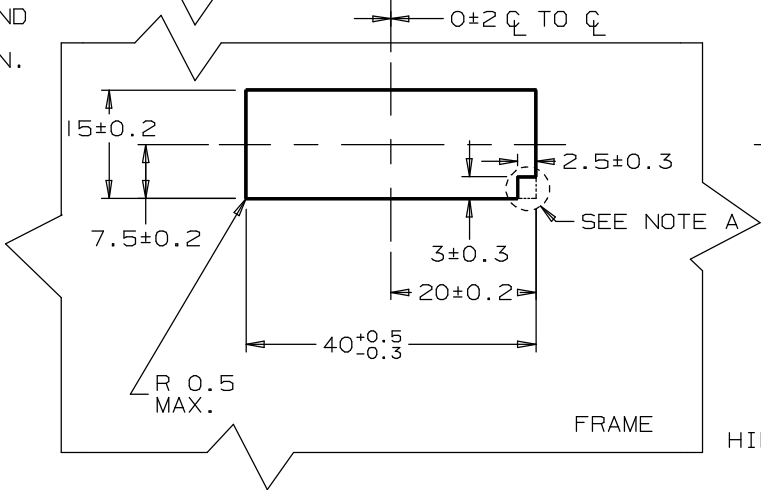
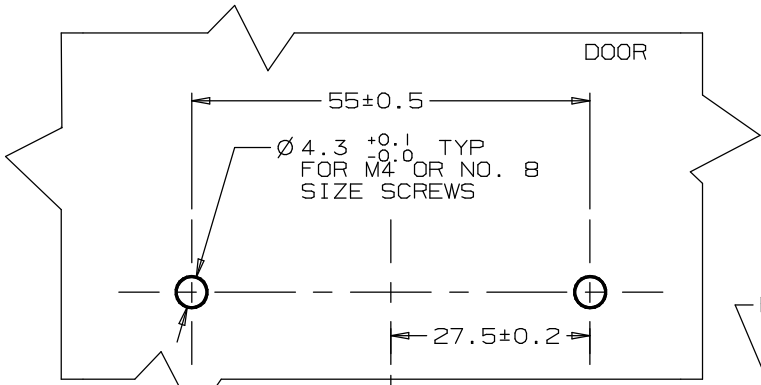
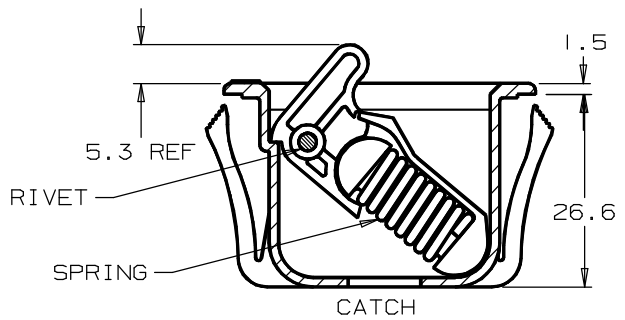
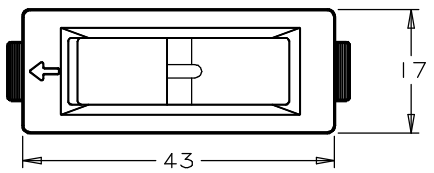
**PACKAGING NOTE:** CATCH AND KEEPER SHIPPED SEPARATELY, BULK. FOR CATCH AND KEEPER PACKAGED ONE PER BAG, ADD -P TO PART NUMBER. EXAMPLE: C3-303-2-P

**INSTALLATION INSTRUCTIONS:** SNAP CATCH INTO FRAME. MOUNT KEEPER TO DOOR AND ADJUST FOR SMOOTH LATCHING.

**MATERIAL AND FINISH:**  
 RIVET: 5056 ALUMINUM, NATURAL.  
 HOUSING: ABS POLYCARBONATE BLEND, BLACK OR WHITE.  
 SPRING: 302 STAINLESS STEEL (22N ASSY'S PASSIVATED, 13N AND 44N ASSY'S PASSIVATED BLACK OXIDE)  
 KEEPER: MINERAL FILLED NYLON, BLACK OR WHITE  
 OTHER COMPONENTS: GLASS FIBER REINFORCED NYLON.



BE SURE THE ARROW ON THE KEEPER AND THE HOUSING ARE POINTING IN THE SAME DIRECTION DURING INSTALLATION.



1.1 MIN  
2.9 MAX  
PANEL THICKNESS RANGE

5 MAX  
ALLOWANCE FOR MOUNTING HARDWARE

PANEL PREPARATION

PANEL PREPARATION TOP VIEW

NOTE A:  
THIS FEATURE IS TO ACCOMMODATE OPTIONAL ONE WAY INSTALLATION.

FORMAT 3/88

PROPRIETARY ITEM - EXCEPT FOR USES EXPRESSLY GRANTED IN WRITING INFORMATION DISCLOSED HEREON IS CONFIDENTIAL AND ALL RIGHTS PATENT AND OTHERWISE ARE RESERVED BY SOUTHCO, INC.

DIMENSIONS IN MILLIMETERS  
THIRD ANGLE PROJECTION

DIMENSIONS WITHOUT TOLERANCES ARE FOR REFERENCE ONLY.

DRAWING NUMBER
J-C3-3