

**southco**

PROPRIETARY ITEM - EXCEPT FOR USES EXPRESSLY GRANTED IN WRITING INFORMATION DISCLOSED HEREON IS CONFIDENTIAL AND ALL RIGHTS PATENT AND OTHERWISE ARE RESERVED BY SOUTHCO, INC.

**C3 SCREW MOUNT GRABBER™ CATCH WITH HEAVY DUTY KEEPER**

DATE	DRAWN	CHKD	SCALE
13MAY1994	LBZ		1:1

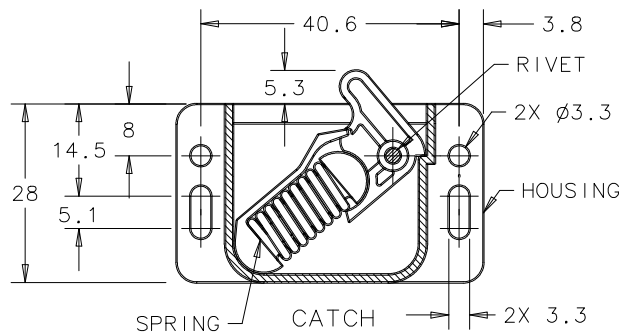
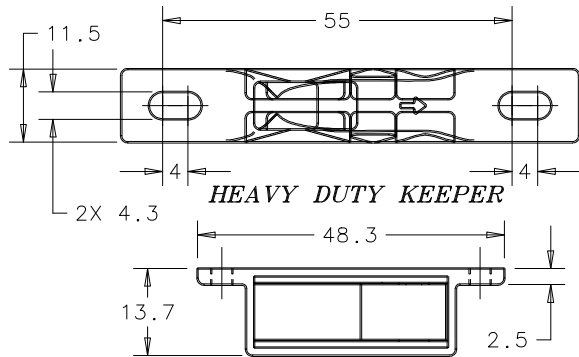
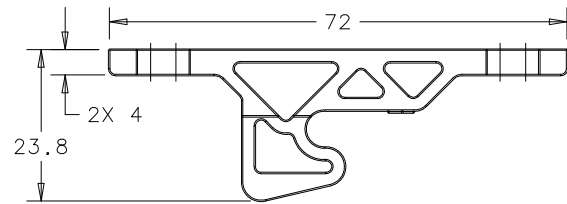
DRAWING NUMBER
J-C3-8

REV	DATE	DRAWN/CHKD	DESCRIPTION	ITEM	PART NUMBER	MATERIAL	FINISH	PULL-UP FORCE
A	06FEB95	MSB/	PRN: C3-75	ASSEMBLY	C3-803	-	-	13N (3 LBS)
B	31OCT98	JGK/	PRN: C3-143	ASSEMBLY	C3-805	-	-	22N (5 LBS)
C	03MAR2000	KPL/	PRN: PC3-154	ASSEMBLY	C3-810	-	-	44N (10 LBS)
D	24MAR2004	AAB/RLR	PRN: P2004-0308	RIVET	-	ALUMINUM	NATURAL	-
E	14DEC2005	RLR/MJS	PRN: P2005-1775	HOUSING	-	PC/ABS	BLACK	-
F	16OCT2009	ACH/MJS	PRN: P2009-1204	SPRING	-	302 STAINLESS STEEL	SEE NOTE E	-
G	18OCT2016	CMS/GC	PRN: P2016-2391	KEEPER	-	MINERAL FILLED NYLON	BLACK	-
H	19JAN2017	CMS/CLB	PRN: P2016-2637	SPRING SUPPORT	-	GLASS FILLED NYLON	BLACK	-
				SUPPORT ROD	-	GLASS FILLED NYLON	BLACK	-
				PAWL	-	GLASS FILLED NYLON	BLACK	-

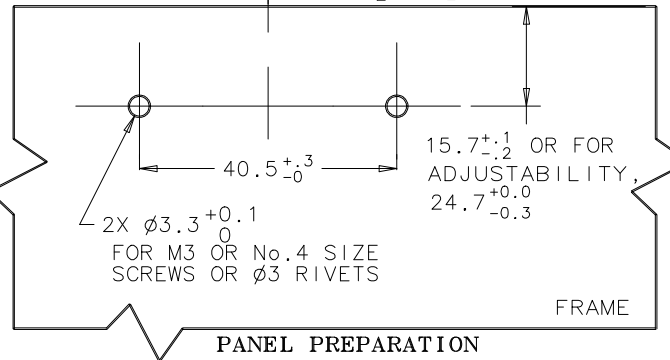
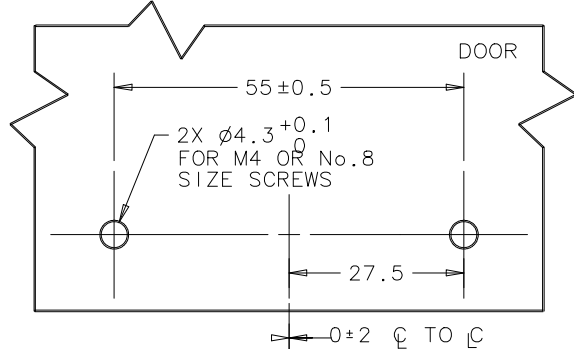
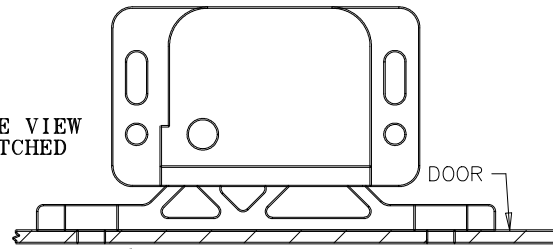
**MILLIMETERS**  
ALL DIMENSIONS WITHOUT TOLERANCES ARE FOR REFERENCE ONLY.

THIRD ANGLE PROJECTION  
A4 PAPER SIZE

ASSEMBLY PART NUMBER	CATCH	KEEPER
C3-803	C3-12-03	C3-77
C3-805	C3-12-05	C3-77
C3-810	C3-12-10	C3-77



SIDE VIEW LATCHED

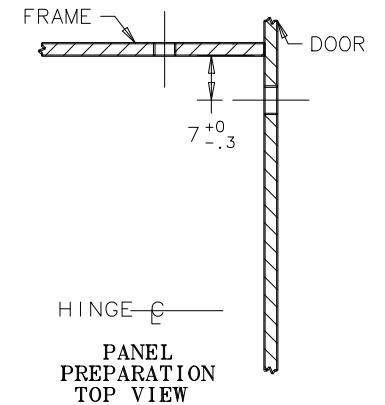


**PACKAGING NOTES:**

- A. CATCH AND KEEPER SHIPPED SEPARATELY, BULK.
- B. FOR CATCH AND KEEPER PACKAGED ONE PER BAG, ADD -P TO PART NUMBER. EXAMPLE: C3-803-P. FOR CATCH AND KEEPER PACKAGED 5 PER BAG, ADD -P5 TO PART NUMBER. EXAMPLE: C3-810-P5.
- C. ADD A "-W" FOR ASSEMBLIES WITH ALL WHITE COMPONENTS. EXAMPLE: C3-810-W.
- D. MATERIAL FOR WHITE KEEPER WILL BE GLASS REINFORCED NYLON.
- E. SPRING FINISH:  
C3-803 = PASSIVATED, BLUE ORGANIC COATING  
C3-805 = PASSIVATED  
C3-810 = PASSIVATED, BLACK OXIDE

**INSTALLATION INSTRUCTIONS:**

1. MOUNT CATCH TO FRAME.
2. ORIENT KEEPER TO LATCH, MOUNT TO DOOR AND ADJUST FOR SMOOTH LATCHING.



PANEL PREPARATION TOP VIEW