



# AV Series Dynamic Mount

Tilt and swivel · Compact

- **Intuitive grab and move operation enhances the user experience**  
No knobs or tools required to reposition the display  
Consistent repeatable operation
- **Factory assembled and ready for use**

### Installation Notes

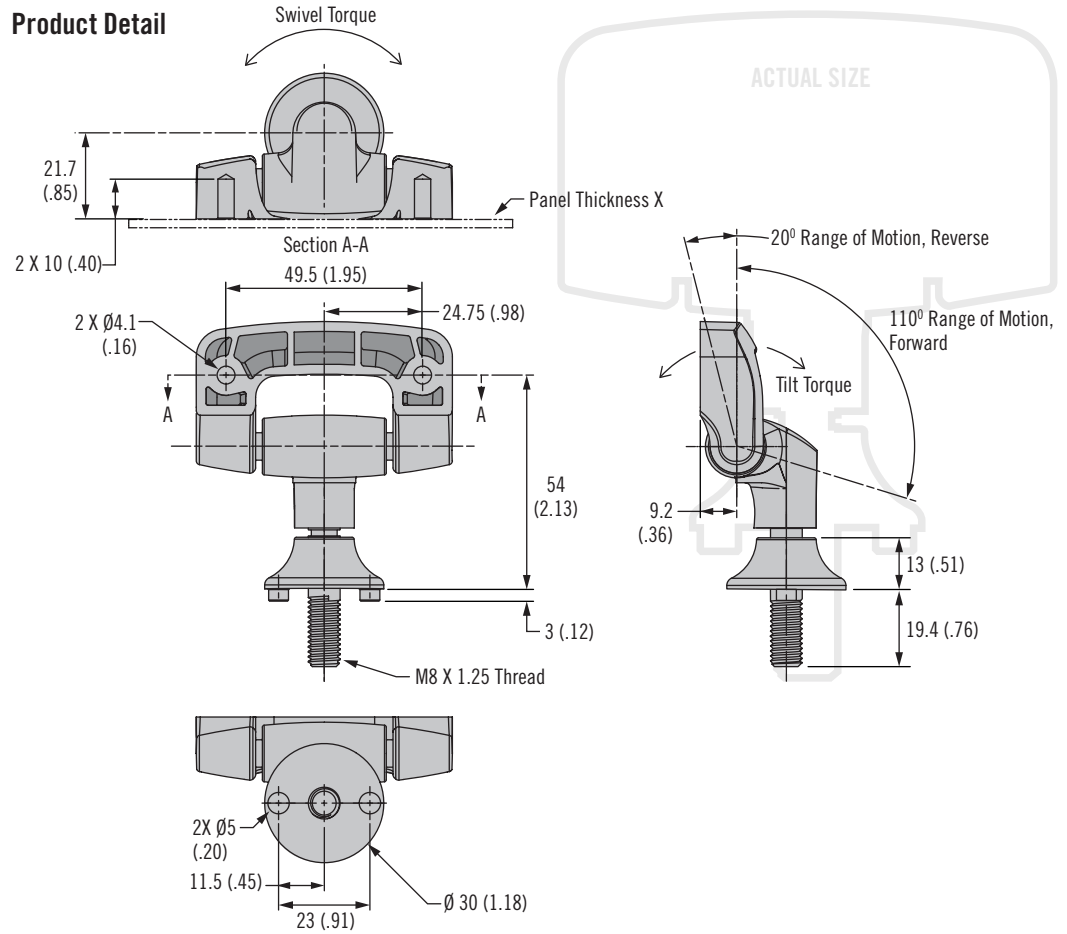
1. Determine desired mounting location
2. Attach using M8 nut (not supplied) as shown  
**Caution:** Because of the wide variety of panel materials, it is the installer's responsibility to ensure that the materials and structure to which the product is mounted and the hardware selected will provide adequate support.
3. Attach display mounting bracket using recommended self-tapping screws or equivalent

Other options available. For complete details on variety, part numbers, installation and specification, go to



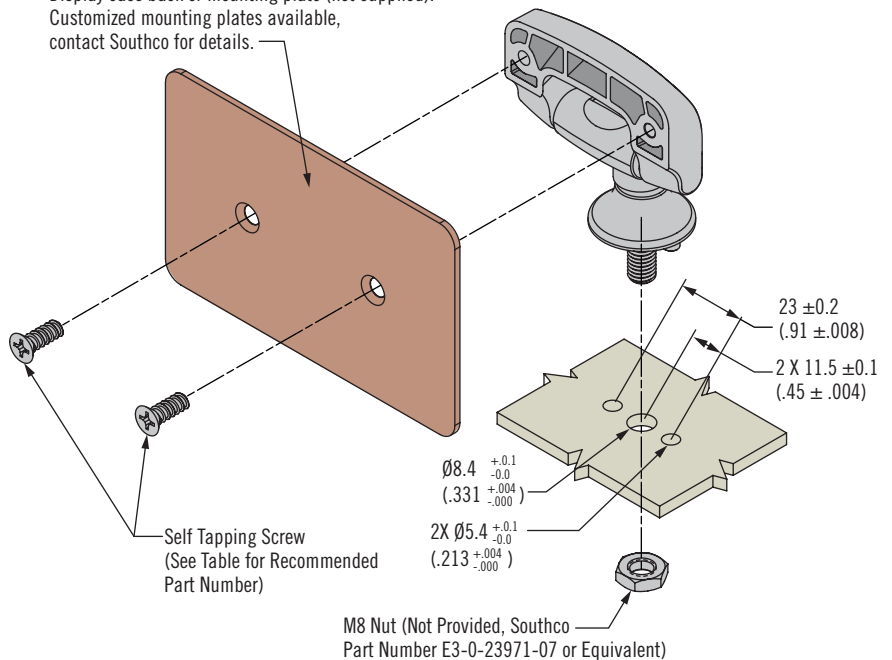
[www.southco.com/AV](http://www.southco.com/AV)

### Product Detail



### Installation

Display case back or mounting plate (not supplied). Customized mounting plates available, contact Southco for details.



Dimensions in millimeters (inch) unless otherwise stated

# AV Series Dynamic Mount

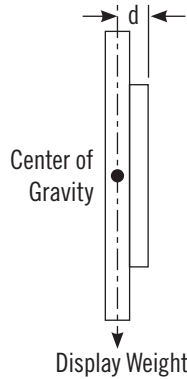
## Tilt and swivel · Compact



### Specification and Selection

#### Step 1

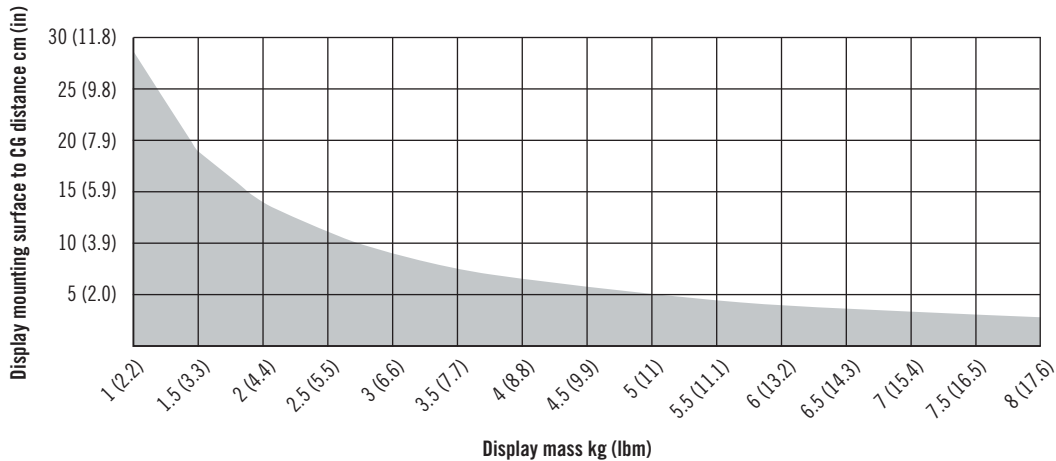
Determine display weight and distance (d) from mounting surface to center of gravity.



#### Step 2

Use chart below to confirm suitable display weight. For weights outside the shaded area, consider *SOUTHCO*<sup>®</sup> AV-D30 series display mounts.

### AV-C20 Series - Capacity vs. Cg Distance



#### Step 3

Select part number and recommended display mounting hardware below:

Recommended display mounting hardware:

Part Numbers	Tilt Torque N·m (in·lbf)	Swivel Torque N·m (in·lbf)
AV-C20-K101-20	3.62 (32.0)	2.26 (20.0)

Panel Thickness, X (mm)	Pan-Head Screw (Southco P/N)	Flat-Head Screw (Southco P/N)
1-4	96-79-1	96-79-11
4-7	96-79-2	96-79-12

- Smooth operation enhances the user experience
- Adjust the display without knobs or tools
- Holds securely in every position

### Material and Finish

Glass-filled nylon, black;  
Stainless steel

### Performance Details

Cycle performance: 20,000 cycles

Max dynamic working load: 100 N  
(22.5 lbf)

Average ultimate load: 1000 N  
(225 lbf)



# AV Series Dynamic Mount

Tilt and swivel

- **Intuitive grab and move operation enhances the user experience**

No knobs or tools required to reposition the display

Precise control of operating effort ensures ideal “feel” and eliminates “drift”

Holds securely, even in applications with dynamic loading

- **Consistent repeatable operation**

- **Factory assembled and ready for use**

## Installation

1. Determine desired mounting location
2. Attach using M6 X 1 screws as shown

**Caution:** Because of the wide variety of available wall materials, it is the installer’s responsibility to ensure that the materials, and structure to which the arm is mounted, and the hardware selected will provide adequate support.

3. Attach display using manufacturer’s recommended hardware
4. Remove and recycle the shipping clip



**VESA® MIS-D, 100, C**

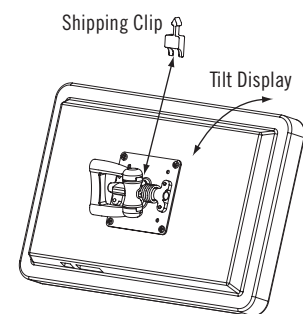
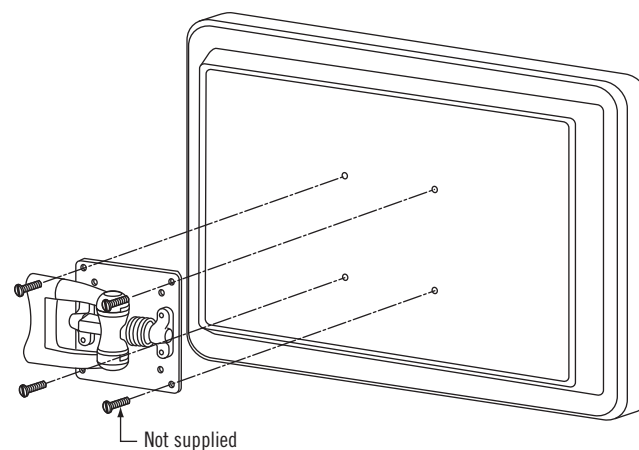
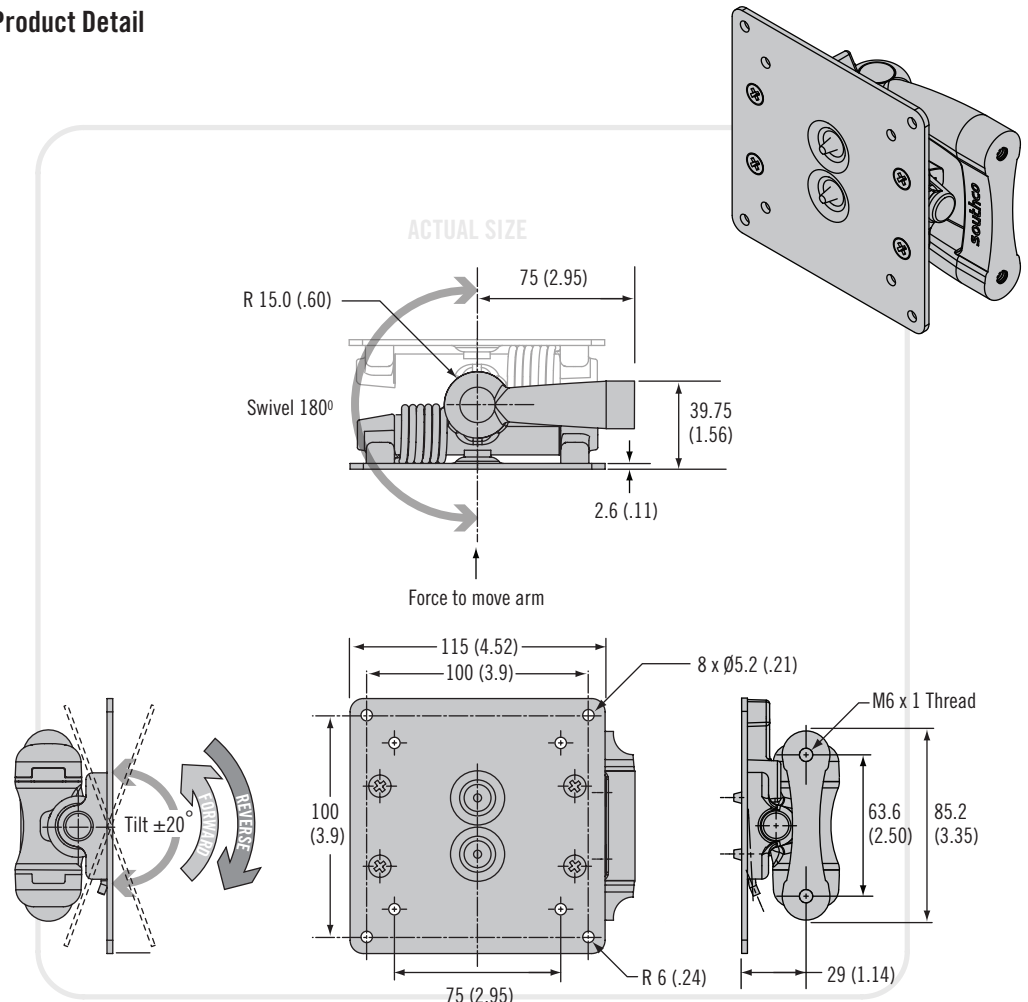
VESA and VESA MOUNTING COMPLIANT are registered trademarks of Video Electronics Standards Association

Other options available. For complete details on variety, part numbers, installation and specification, go to



[www.southco.com/AV](http://www.southco.com/AV)

## Product Detail



Dimensions in millimeters (inch) unless otherwise stated

**southco**  
CONNECT · CREATE · INNOVATE

# AV Series Dynamic Mount

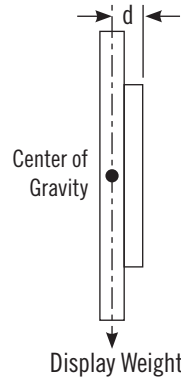
## Tilt and swivel



### Specification and Selection

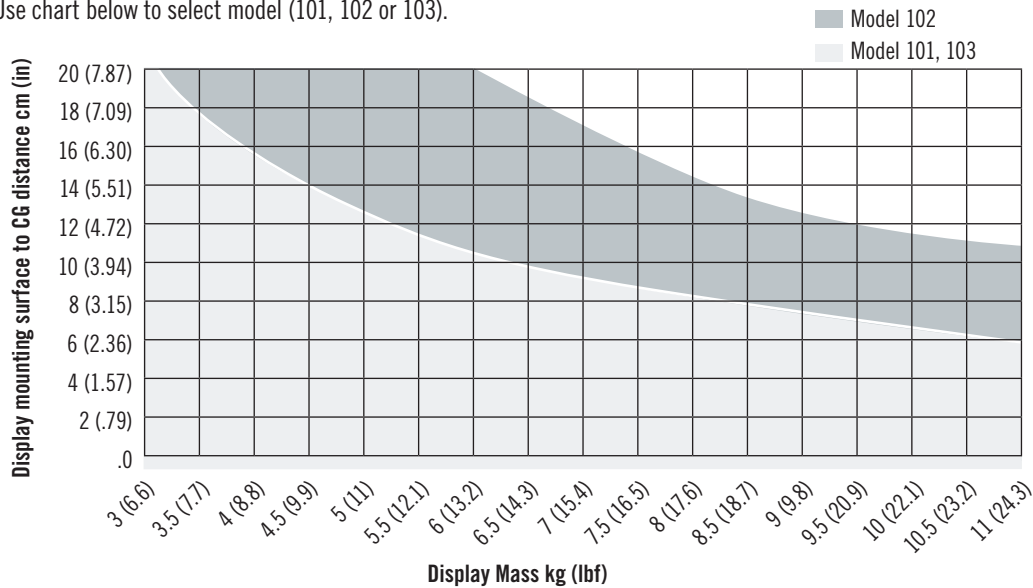
#### Step 1

Determine display weight and distance (d) from mounting surface to center of gravity.



#### Step 2

Use chart below to select model (101, 102 or 103).



#### Step 3

Complete part number by selecting model and color options below.

Model <b>S</b>	Tilt Torque N•m (in lbf)		Swivel Torque
	Reverse	Forward	
101	7.9 (70)	1.13 (10)	2.3 (20)
102	15.4 (136)	2.26 (20)	3.4 (30)
103	8.6 (76)	6 (53)	3.4 (30)

AV - D30 - 7K **S** - **F**

<b>F</b>	Color
50	Black
76	White

For complete installation and operation instructions please consult the product manual included in every package or available to download from [www.southco.com/AV](http://www.southco.com/AV)

- Smooth operation enhances the user experience
- Adjust the display without knobs or tools
- Holds securely in every position

### Material and Finish

Aluminum alloy, powder coated

### Performance Details

Cycle performance: 20,000 cycles within  $\pm 20\%$  of static torque specification

Maximum dynamic working load:

Model 101 and 103: 66 N (15 lbf)

Model 102: 98 N (22 lbf)

Average ultimate load: 178 N (450 lbf)

### Part Number

See table

### Part Number Example

AV-D30-7K101-50 = Dynamic mounting arm, Model 101, black





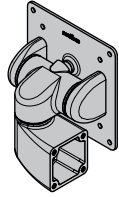
# AV Series Dynamic Mounting Arm

Tilt and swivel · Single arm · Double arm

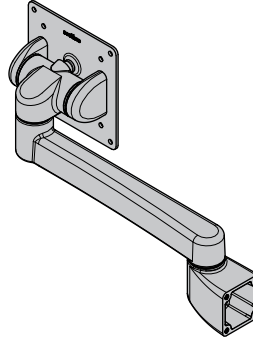
- Intuitive grab and move operation enhances the user experience**  
 No knobs or tools required to reposition the display  
 Precise control of operating effort ensures ideal “feel” and eliminates “drift”  
 Holds securely, even in applications with dynamic loading
- Consistent repeatable operation**
- Fully enclosed for optimum cleanability**
- Snap-on wire management cover**
- Factory assembled and ready for use**



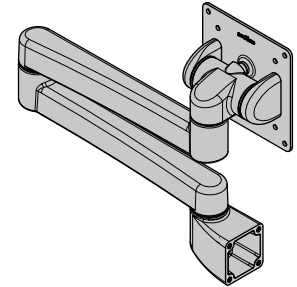
Tilt and Swivel



Single Arm



Double Arm



## Mounting Options

Wall Mount

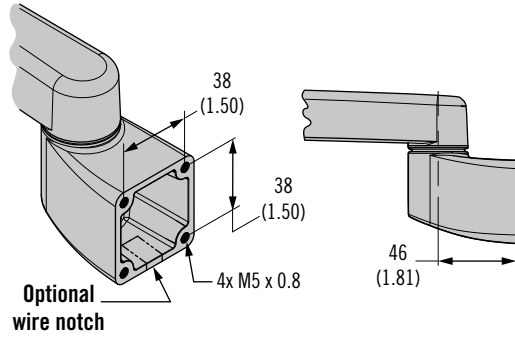
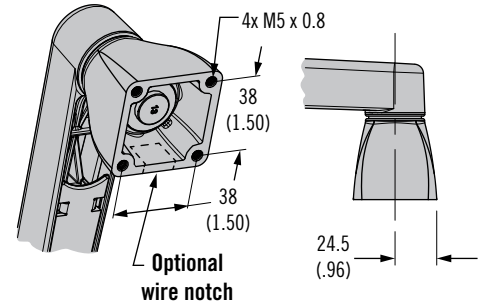
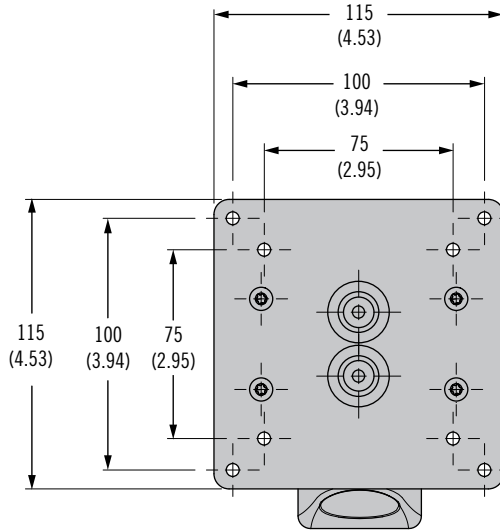


Table Mount



## Display Mounting Plate



VESA® MIS-D, 100, C

VESA and VESA MOUNTING COMPLIANT are registered trademarks of Video Electronics Standards Association

Other options available. For complete details on variety, part numbers, installation and specification, go to



[www.southco.com/AV](http://www.southco.com/AV)

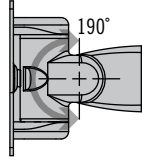
Dimensions in millimeters (inch) unless otherwise stated

# AV Series Dynamic Mounting Arm

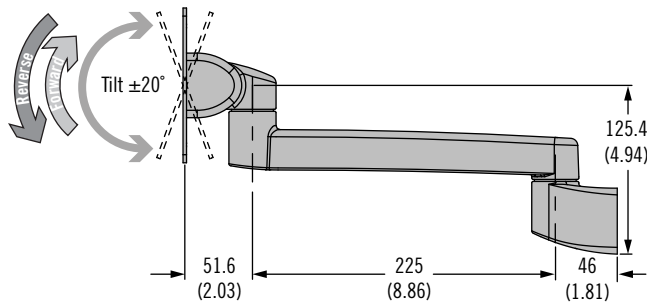
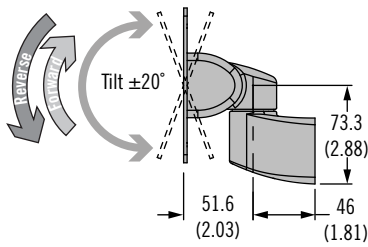
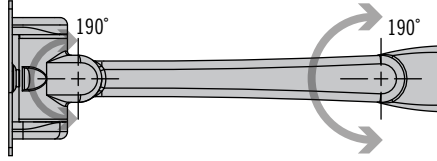
Tilt and swivel · Single arm · Double arm



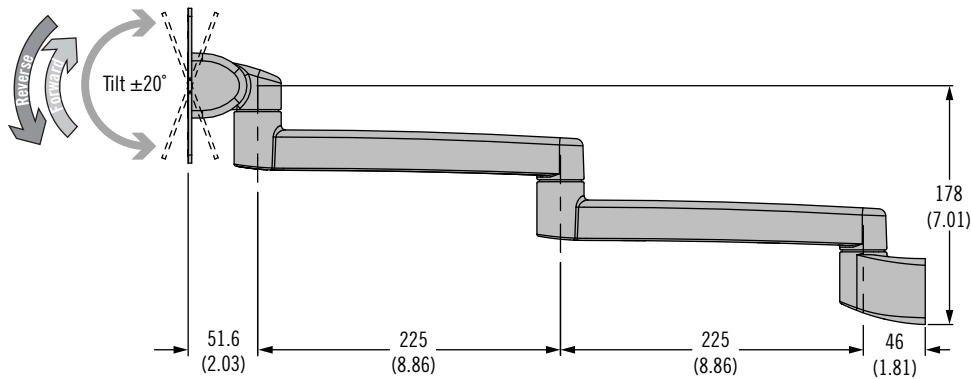
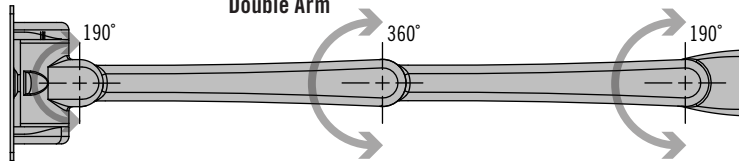
## Tilt and Swivel



## Single Arm



## Double Arm



- Smooth operation enhances the user experience
- Adjust the display without knobs or tools
- Holds securely in every position





# AV Series Dynamic Mounting Arm

Tilt and swivel · Single arm · Double arm

## Material and Finish

Aluminum alloy, powder coated

## Performance Details

Cycle performance: 20,000 cycles. See trade drawing for details.

Note: Double Arm not recommended for displays over 5.4 kg (12 lb)

Max. dynamic working load:

Model 101, 103: 70N (15.7lbf)

Model 102: 100N (22.5lbf)

Average ultimate load:

Tilt/Swivel: 1845N (415lbf)

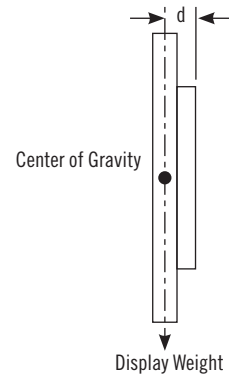
Single Arm: 1600N (360lbf)

Double Arm: 755N (170lbf)

## Specification and Selection

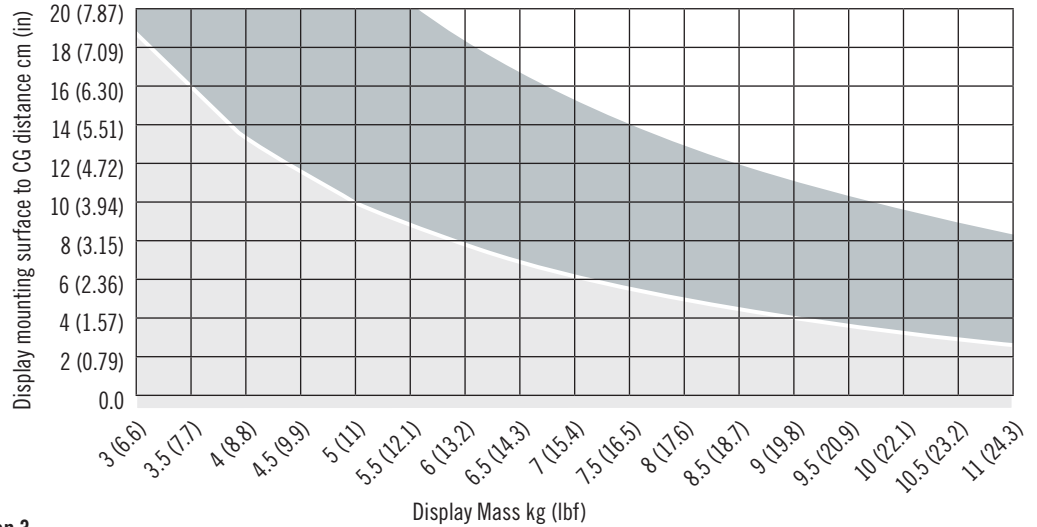
### Step 1

Determine display weight and distance (d) from mounting surface to center of gravity.



### Step 2

Use chart below to select model (101, 102 or 103).



### Step 3

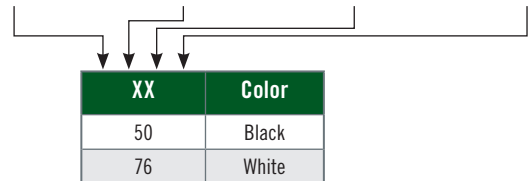
Complete part number by selecting length and color options below.

Style	Model	Tilt Torque N-m (in-lbf)		Swivel Torque N-m (in-lbf)			Part Number			
		Reverse	Forward	At Display Mount	At Wall Mount	Center Joint	Wall Mount		Table Mount	
							No Notch	Wire Notch	No Notch	Wire Notch
Tilt and swivel	101	7.9 (70)	1.13 (10)	4.3 (38)	N/A	N/A	AV-D32-10K101-XX	AV-D32-10K111-XX	AV-D32-10K121-XX	AV-D32-10K131-XX
	102	15.4 (136)	2.26 (20)	4.3 (38)	N/A	N/A	AV-D32-10K102-XX	AV-D32-10K112-XX	AV-D32-10K122-XX	AV-D32-10K132-XX
	103	8.6 (76)	6.0 (53)	4.3 (38)	N/A	N/A	AV-D32-10K103-XX	AV-D32-10K113-XX	AV-D32-10K123-XX	AV-D32-10K133-XX
Single arm	101	7.9 (70)	1.13 (10)	4.3 (38)	9.8 (87)	N/A	AV-D32-23A101-XX	AV-D32-23A111-XX	AV-D32-23A121-XX	AV-D32-23A131-XX
	102	15.4 (136)	2.26 (20)	4.3 (38)	9.8 (87)	N/A	AV-D32-23A102-XX	AV-D32-23A112-XX	AV-D32-23A122-XX	AV-D32-23A132-XX
	103	8.6 (76)	6.0 (53)	4.3 (38)	9.8 (87)	N/A	AV-D32-23A103-XX	AV-D32-23A113-XX	AV-D32-23A123-XX	AV-D32-23A133-XX
Double arm	101	7.9 (70)	1.13 (10)	4.3 (38)	9.8 (87)	9.8 (87)	AV-D32-46D101-XX	AV-D32-46D111-XX	AV-D32-46D121-XX	AV-D32-46D131-XX
	102	15.4 (136)	2.26 (20)	4.3 (38)	9.8 (87)	9.8 (87)	AV-D32-46D102-XX	AV-D32-46D112-XX	AV-D32-46D122-XX	AV-D32-46D132-XX
	103	8.6 (76)	6.0 (53)	4.3 (38)	9.8 (87)	9.8 (87)	AV-D32-46D103-XX	AV-D32-46D113-XX	AV-D32-46D123-XX	AV-D32-46D133-XX

### Part Number Example

**AV-D32-23A101-50 =**  
Single arm, Model 101, wall mount, no wire notch, black

For tilt version, see Southco AV Arm section.



Other options available. For complete details on variety, part numbers, installation and specification, go to

**INFO CLIC** [www.southco.com/AV](http://www.southco.com/AV)

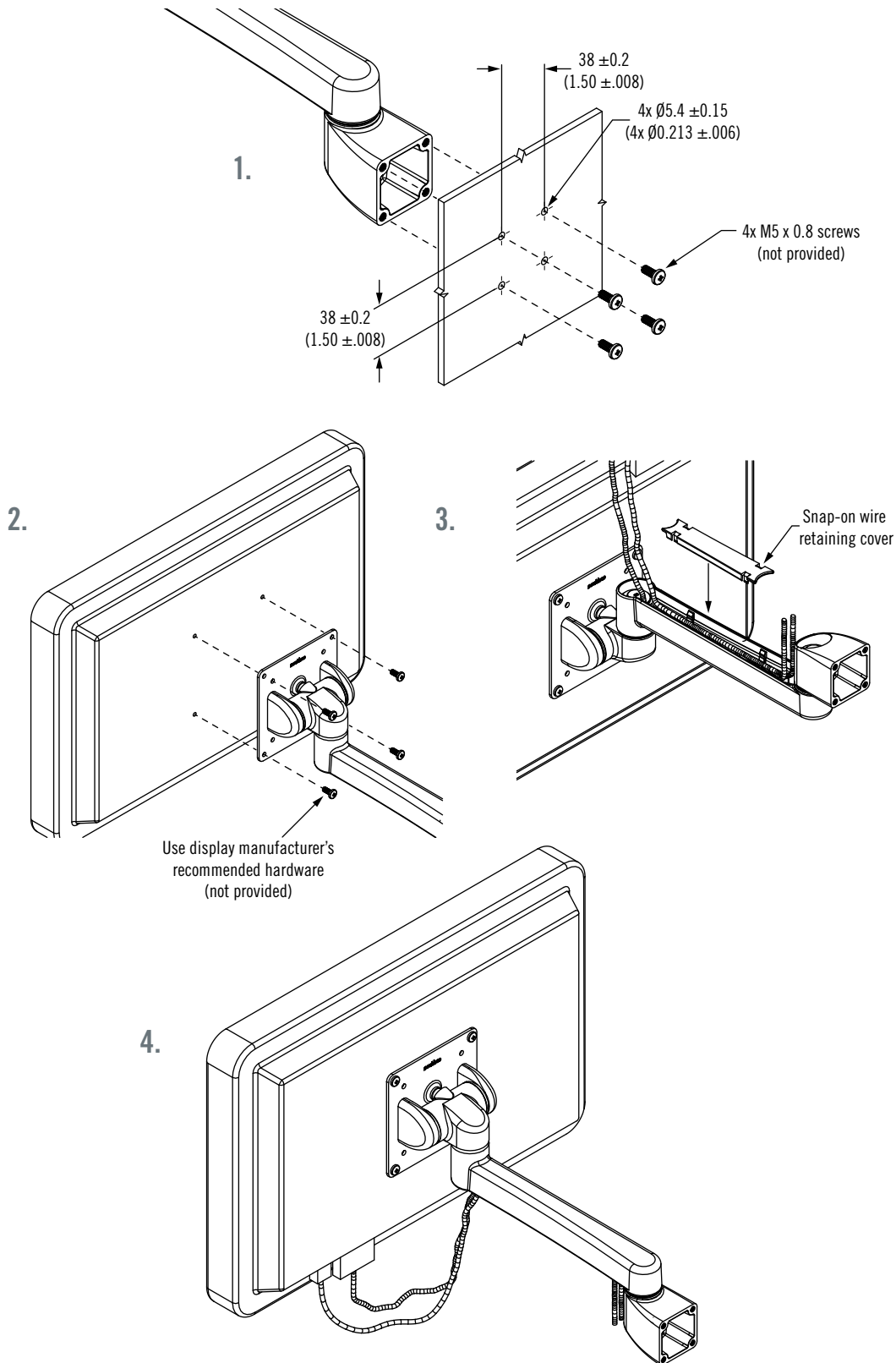
Dimensions in millimeters (inch) unless otherwise stated

# AV Series Dynamic Mounting Arm

Tilt and swivel · Single arm · Double arm



## Installation



- Smooth operation enhances the user experience
- Adjust the display without knobs or tools
- Holds securely in every position







# AV Series Dynamic Mounting Arm

Tilt and swivel · Single arm · Double arm · Heavy Duty

- Intuitive grab and move operation enhances the user experience**

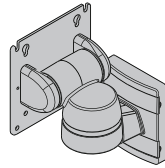
No knobs or tools required to reposition the display

Precise control of operating effort ensures ideal “feel” and eliminates “drift”

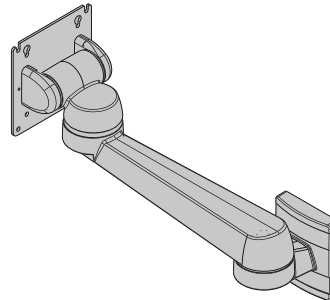
Holds securely, even in applications with dynamic loading

- Consistent repeatable operation**
- Fully enclosed for optimum cleanability**
- Snap-on wire management cover**
- Factory assembled and ready for use**

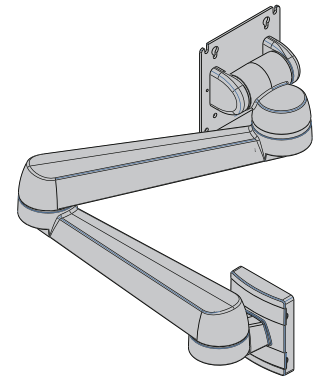
Tilt and Swivel



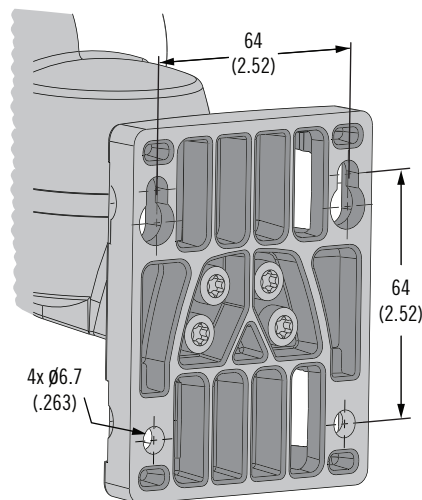
Single Arm



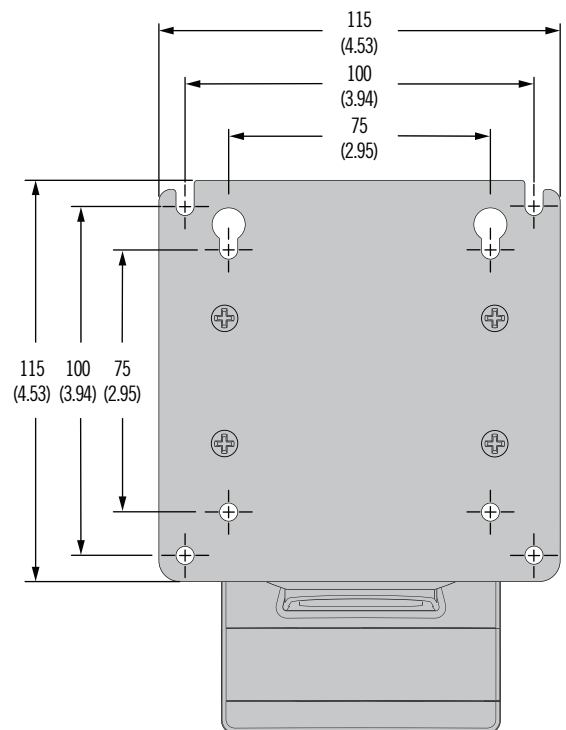
Double Arm



Mounting Pattern



Display Mounting Plate



VESA® MIS-D, 100, C

VESA and VESA MOUNTING COMPLIANT are registered trademarks of Video Electronics Standards Association

Other options available. For complete details on variety, part numbers, installation and specification, go to



[www.southco.com/AV](http://www.southco.com/AV)

Dimensions in millimeters (inch) unless otherwise stated

**southco**  
CONNECT · CREATE · INNOVATE

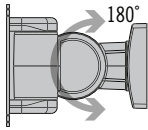
# AV Series Dynamic Mounting Arm

Tilt and swivel · Single arm · Double arm · Heavy Duty

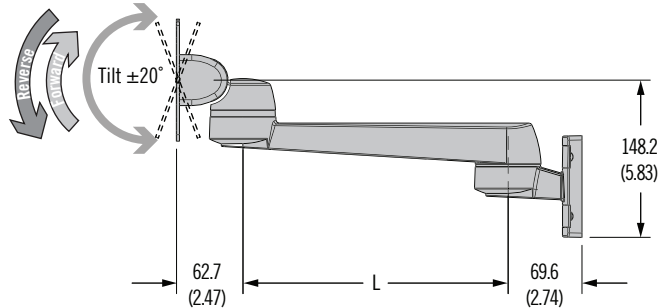
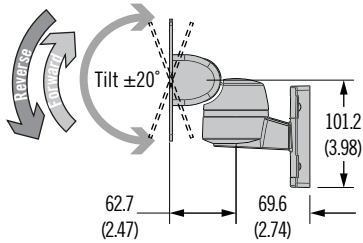
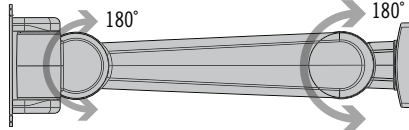


67B

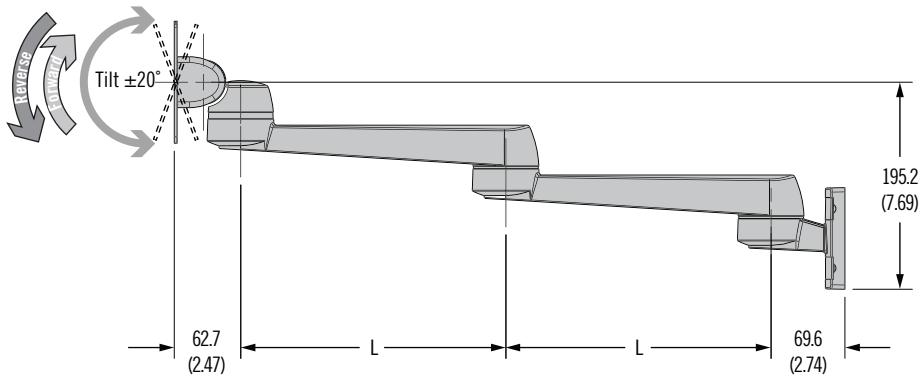
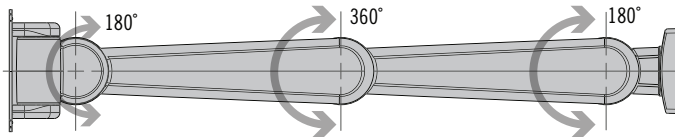
## Tilt and Swivel



## Single Arm



## Double Arm



- Smooth operation enhances the user experience
- Adjust the display without knobs or tools
- Holds securely in every position





# AV Series Dynamic Mounting Arm

Tilt and swivel · Single arm · Double arm · Heavy Duty

## Material and Finish

Aluminum alloy, powder coated

## Performance Details

Cycle performance: 20,000 cycles.

See trade drawing for details.

Note: Double Arm not recommended for displays over 18 kg (39 lb)

Max. dynamic working load:

Model 141, 143: 70 N (15.7 lbf)

Model 142: 100 N (22.5 lbf)

Model 144: 225 N (50.5 lbf)

Average ultimate load:

Tilt/Swivel: 2300 N (517 lbf)

Single Arm: 1600 N (360 lbf)

Double Arm: 1050 N (236 lbf)

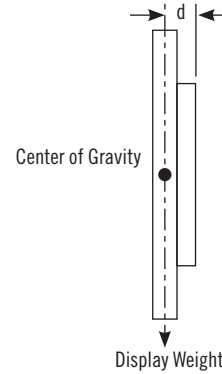
## Part Number Example

**AV-D40-25A142-50** = Single arm, 250mm, Model 142, black

## Specification and Selection

### Step 1

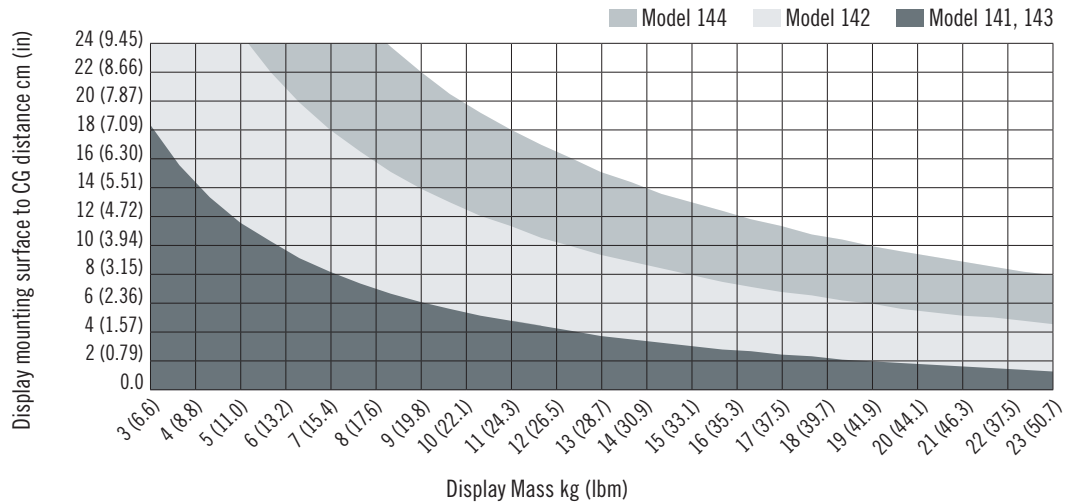
Determine display weight and distance (d) from mounting surface to center of gravity.



### Step 2

Use chart below to select model (141, 142, 143 or 144).

Note: Double Arm not recommended for displays over 18 kg (39 lb)



### Step 3

Complete part number by selecting length and color options below.

Style	Model	Tilt Torque N·m (in·lbf)		Swivel Torque N·m (in·lbf)			Arm Length, L		
		Reverse	Forward	At Display Mount	At Wall Mount	Center Joint	None	250 (9.8)	325 (12.8)
Tilt and swivel	141	7.9 (70)	1.3 (10)	3 (27)	N/A	N/A	AV-D40-13K141-XX	N/A	N/A
	142	15.4 (136)	2.26 (20)	3 (27)	N/A	N/A	AV-D40-13K142-XX	N/A	N/A
	143	8.6 (76)	6.0 (53)	3 (27)	N/A	N/A	AV-D40-13K143-XX	N/A	N/A
	144	23.1 (204)	7 (62)	3 (27)	N/A	N/A	AV-D40-13K144-XX	N/A	N/A
Single arm	141	7.9 (70)	1.3 (10)	3 (27)	6 (53)	N/A	N/A	AV-D40-25A141-XX	AV-D40-33A141-XX
	142	15.4 (136)	2.26 (20)	3 (27)	6 (53)	N/A	N/A	AV-D40-25A142-XX	AV-D40-33A142-XX
	143	8.6 (76)	6.0 (53)	3 (27)	6 (53)	N/A	N/A	AV-D40-25A143-XX	AV-D40-33A143-XX
	144	23.1 (204)	7 (62)	3 (27)	6 (53)	N/A	N/A	AV-D40-25A144-XX	AV-D40-33A144-XX
Double arm	141	7.9 (70)	1.3 (10)	3 (27)	6 (53)	3 (27)	N/A	AV-D40-50D141-XX	AV-D40-65D141-XX
	142	15.4 (136)	2.26 (20)	3 (27)	6 (53)	3 (27)	N/A	AV-D40-50D142-XX	AV-D40-65D142-XX
	143	8.6 (76)	6.0 (53)	3 (27)	6 (53)	3 (27)	N/A	AV-D40-50D143-XX	AV-D40-65D143-XX
	144	23.1 (204)	7 (62)	3 (27)	6 (53)	3 (27)	N/A	AV-D40-50D144-XX	AV-D40-65D144-XX

XX	Color
50	Black
76	White

Other options available. For complete details on variety, part numbers, installation and specification, go to

**INFO CLIC** [www.southco.com/AV](http://www.southco.com/AV)

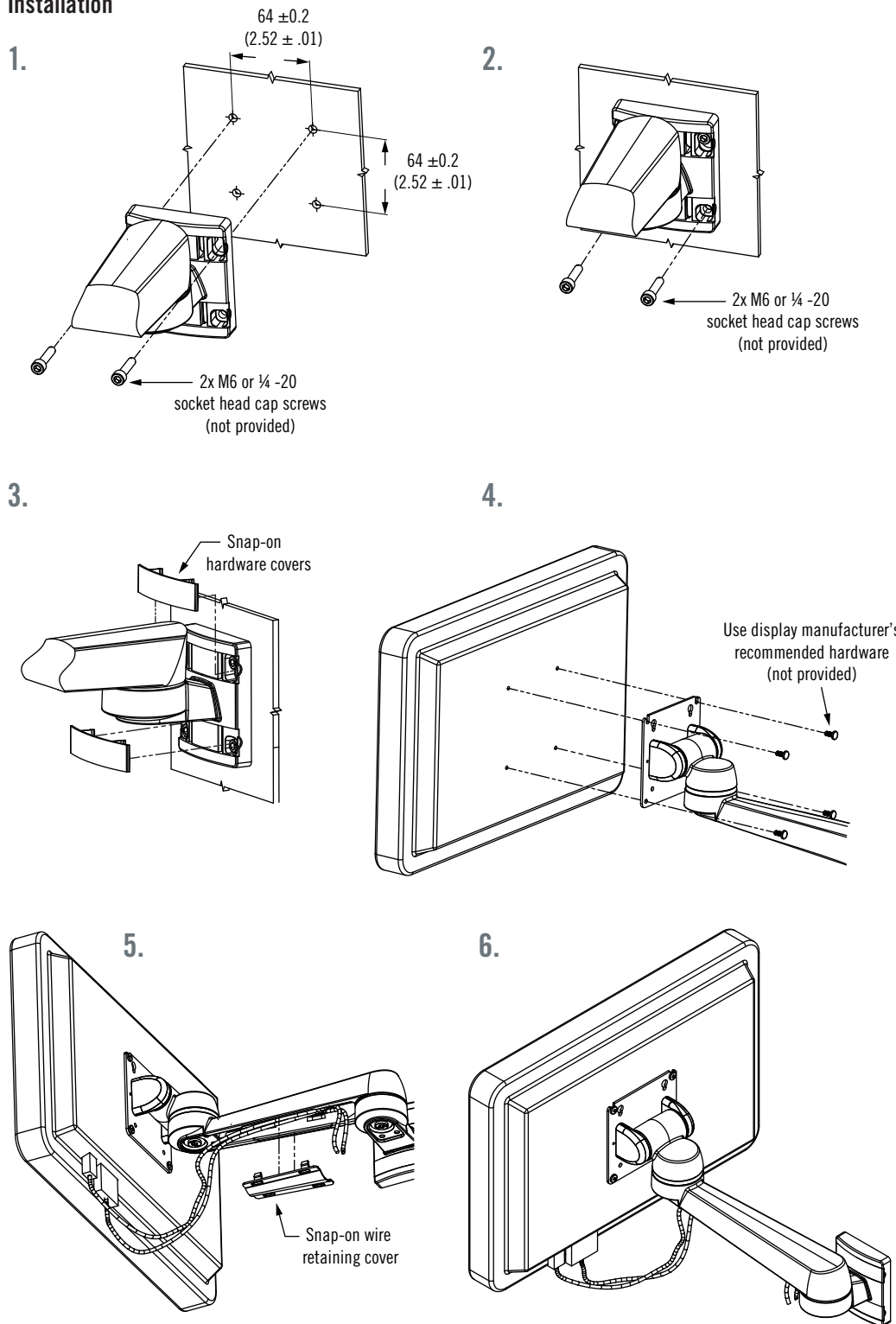
Dimensions in millimeters (inch) unless otherwise stated

# AV Series Dynamic Mounting Arm

Tilt and swivel · Single arm · Double arm · Heavy Duty



## Installation



- Smooth operation enhances the user experience
- Adjust the display without knobs or tools
- Holds securely in every position



Mounting screws affixing the arm to the mounting plate shall not be removed or loosened. Should removal or loosening of mounting screws occur, replace mounting screws using new M6-1.0 x 25, Class 12.9, high tensile cap head screws and plain washers, tighten to 14-16Nm. Maximum arm loading-single arm-23Kg/ double arm-18Kg. Removal or loosening, or in the event of removal or loosening and failure to replace factory installed mounting screws with manufacturer specified new mounting screws, tightened to 14-16Nm may result in catastrophic failure of bolts causing mounted equipment to fall from mounting surface causing injury to persons and property.