

southco

PROPRIETARY ITEM - EXCEPT FOR USES EXPRESSLY GRANTED IN WRITING INFORMATION DISCLOSED HEREON IS CONFIDENTIAL AND ALL RIGHTS PATENT AND OTHERWISE ARE RESERVED BY SOUTHCO, INC.

**P7 UNIVERSAL SHOULDER SCREW
2.5mm THREAD**


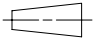
DATE	DRAWN	CHKD	SCALE
11FEB2005	RES	AJH	4:1

DRAWING NUMBER
N-41665-J

REV	DATE	DRAWN/CHKD	DESCRIPTION	PART NUMBER	MATERIAL	FINISH	PATCH COVERAGE
F	08FEB2011	MJS	PRN: P2011-0034	P7-0-41665	STEEL	ZINC PLATE, BRIGHT CHROMATE	NO PATCH
				P7-0-41665-1	STEEL	ZINC PLATE, BRIGHT CHROMATE & TORQUE PATCH	90°
				P7-0-41665-2	STEEL	ZINC PLATE, BRIGHT CHROMATE & TORQUE PATCH	2 X 120° MIN

MILLIMETERS

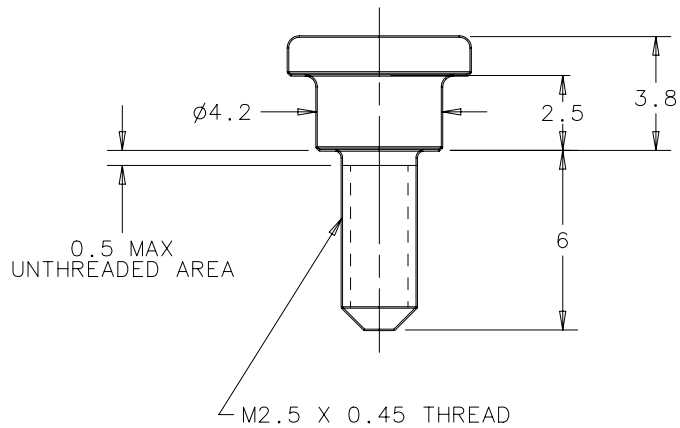
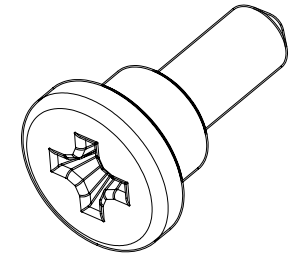
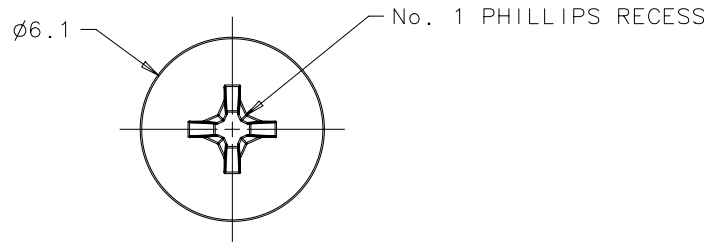
ALL DIMENSIONS WITHOUT TOLERANCES ARE FOR REFERENCE ONLY.

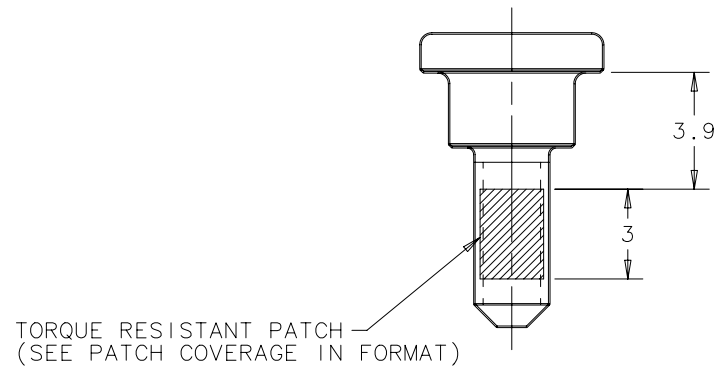
 THIRD ANGLE PROJECTION A4 PAPER SIZE

NOTES:

- A. RoHS COMPLIANT.
- B. TIGHTEN SCREW TO 45 - 70 Ncm



PART No. P7-0-41665



TORQUE RESISTANT PATCH (SEE PATCH COVERAGE IN FORMAT)

PART No. P7-0-41665 -1 or -2