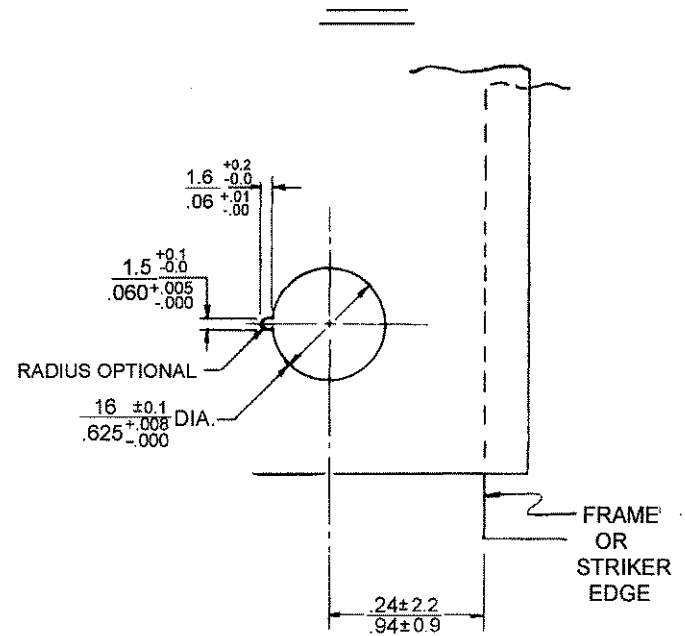


ITEM	PART No	MATERIAL	FINISH	R.S.	DATE	APP
ASSEMBLY	A6-60-116-10	—	—	A		
SUB-ASSEMBLY	—	SEE NOTE A	SEE NOTE A	B		
SLEEVE	—	STEEL	BLACK ORGANIC COATING	C		
KNOB	—	THERMOPLASTIC	BLACK	D	11/17/76	SLM
LOCKWASHER	—	STEEL	ZINC PLATE			

NOTE A ~ SUB-ASSEMBLY MATERIALS AND FINISHES
 ~ HOUSING IS STEEL, ZINC PLATED.
 ~ RETAINING RING IS STEEL, ZINC PLATED -YELLOW.
 ~ SPRING IS STAINLESS STEEL, NATURAL.
 ~ ALL OTHER COMPONENTS ARE DIE CAST ZINC, WITH BLACK ORGANIC COATING.



INSTALLATION HOLE DETAIL

REV G 5-1-90 GWF PRN 94-04

REV F 7-13-88 SML SEC RECD PRINT PRN: A6-36

REV I 30 JUN 93 PRN: A6-58

REV H 12 JAN 95, IC PRN: S-1-03