



# H3 Swinghandle System

Medium / large · Sealed / non-sealed

- Zinc alloy swinghandle system
- Multiple locking options; including DIN profile
- Indoor/outdoor version
- Available for medium (125mm x 25mm) and large (150mm x 25mm) door cutout
- Linear and rotational systems available

## Material and Finish

Handle: Zinc alloy, black powder coated or satin chrome plated  
Cam: Steel, zinc plated

## Performance Details

Maximum static load: 250 N (56 lbf)

## Sealing Notes

Sealed version meets NEMA 4/IP66 water intrusion standards

## Keys

See page 130

## Notes

Key removal in unlocked position only available on non-sealed version

Product available to meet **TELCORDIA®** GR-487 contact Southco for details

Electromechanical swinghandle available see pages 38-39

For single point and actuator plate system see pages 144-145

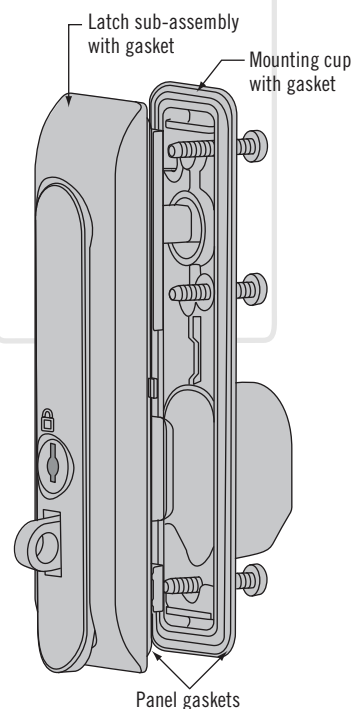
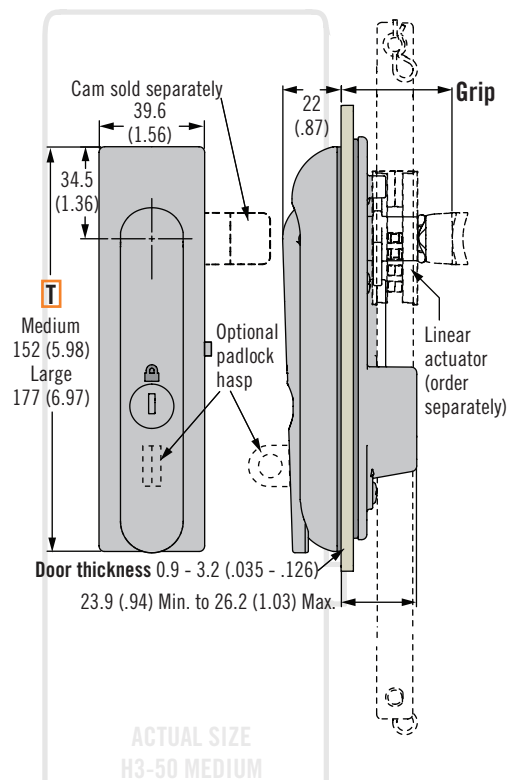
For dimension details of DIN lock version, please contact Southco

For plastic version see page 196.

**TELCORDIA** is a registered trademark of Telcordia Technologies Inc.

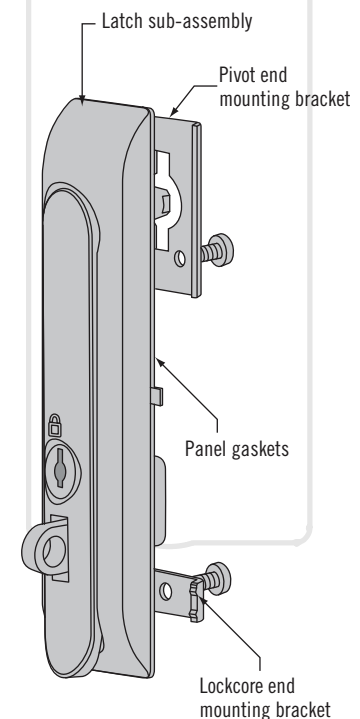
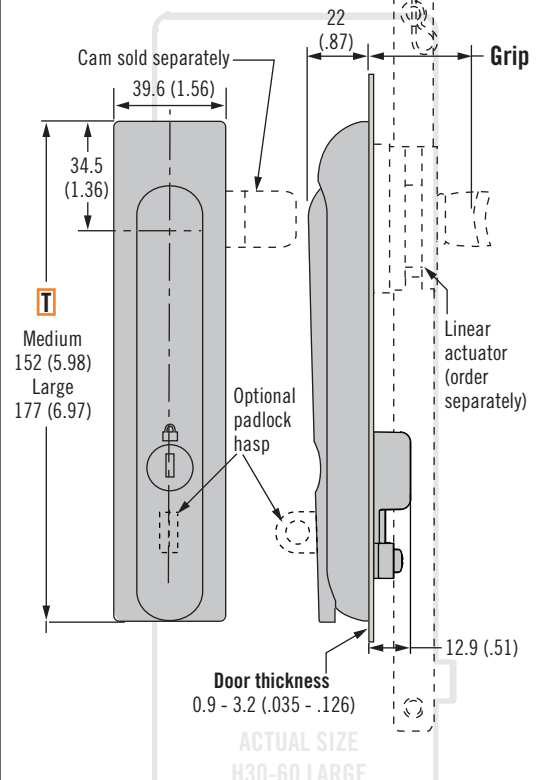
## Sealed (H3-50 medium shown)

(Also available in large. See part number selection)



## Non-Sealed (H3-60 large shown)

(Also available in medium. See part number selection)



Other options available. For complete details on variety, part numbers, installation and specification, go to



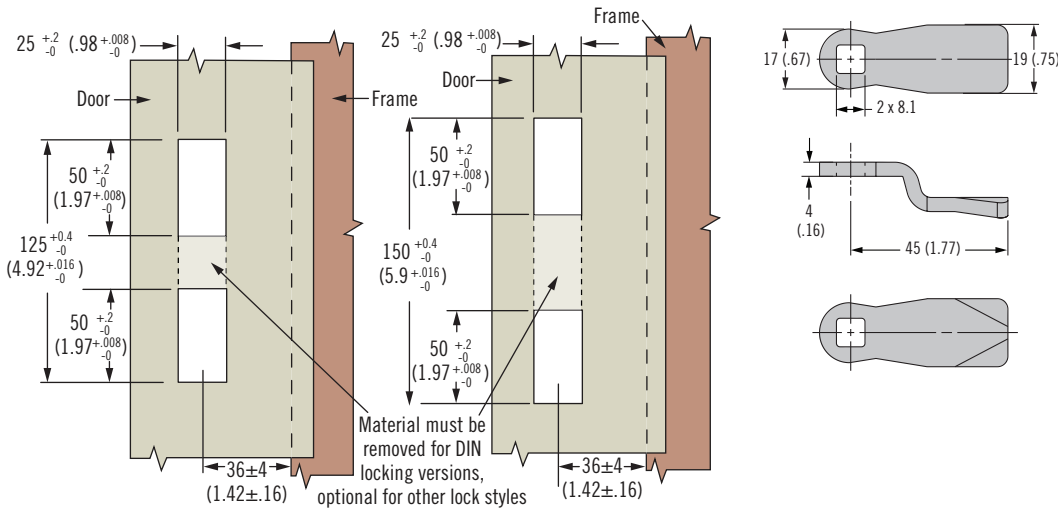
[www.southco.com/H3](http://www.southco.com/H3)

Dimensions in millimeters (inch) unless otherwise stated

**southco**  
CONNECT · CREATE · INNOVATE

**Medium H3-50**

**Large H3-60**



**Part Number Selection**

For single point:

Order latch and cam separately (see page 144-145)

For multi-point order:

Latch and cam (if 3 point latching required)

Linear actuator and rod adaptors (see page 194)

Rods (see pages 198-201)

Rod guides (see pages 198-201)

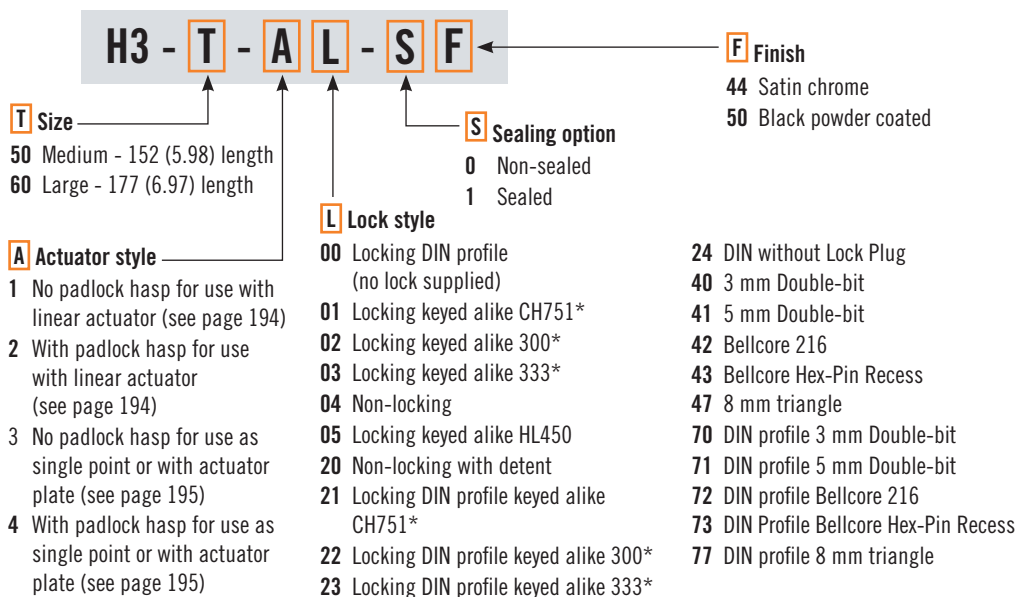
**Note**

\*2 Overmolded keys supplied

**Cam Part Number Table For Use With Linear Actuator Or Actuator Plate**

Grip With Linear Actuator	Grip With Actuator Plate	Part Number	Grip With Linear Actuator	Grip With Actuator Plate	Part Number
~	10.3 (.41)	E5-6107	36.9 (1.45)	26.3 (1.04)	E5-6115
~	12.3 (.48)	E5-6108	38.9 (1.53)	28.3 (1.11)	E5-6116
24.9 (.98)	14.3 (.56)	E5-6109	40.9 (1.61)	30.3 (1.19)	E5-6117
26.9 (1.06)	16.3 (.64)	E5-6110	42.9 (1.69)	32.3 (1.27)	E5-6118
28.9 (1.14)	18.3 (.72)	E5-6111	44.9 (1.76)	34.3 (1.35)	E5-6119
30.9 (1.22)	20.3 (.80)	E5-6112	46.9 (1.85)	36.3 (1.43)	E5-6120
32.9 (1.30)	22.3 (.88)	E5-6113	48.9 (1.93)	38.3 (1.51)	E5-6121
34.9 (1.37)	24.3 (.96)	E5-6114	50.9 (2.00)	40.3 (1.59)	E5-6122

**Latch Part Number (no cam)**





# H3 Linear Actuator

## Linear actuator and rod adaptor

- Linear actuator for H3 swinghandles
- Linear rod travel for limited space
- Suitable for left and right hand applications

### Material and Finish

Zinc alloy and steel, zinc plated

### To Select Linear actuator and Rod Adaptor:

For use with H3-50 and H3-60 swinghandles (see pages 192-193)  
Order linear actuator and rod adaptors separately (1 actuator and 2 adaptors required per latch)

### Accessories

Replacement rod adaptor retainer pin part number: H3-0-44778-01

### Part Number

Linear actuator and rod adaptors see table

For multi-point order:

Latch (see pages 192-193)

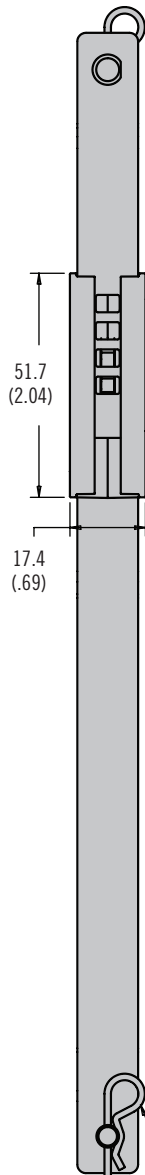
Cam (if 3 point latching required) (see page 193)

Linear actuator and rod adaptor (see table)

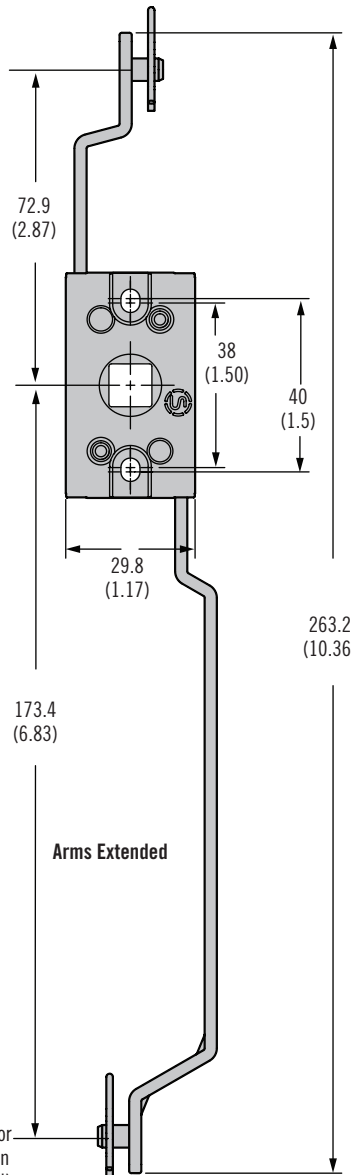
Rods (see pages 198-201)

Rod guides (if required) (see page 198)

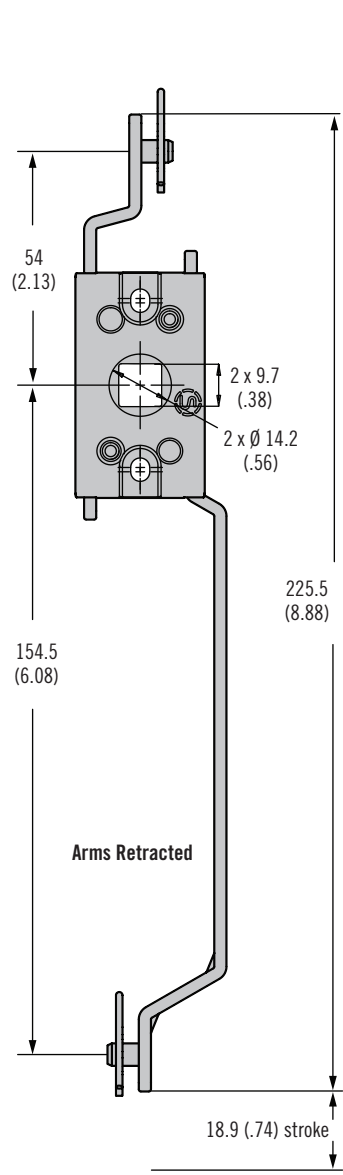
### Linear Actuator



### Closed Position



### Open Position

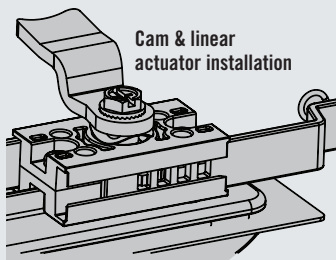
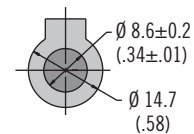
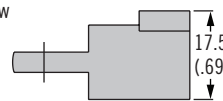
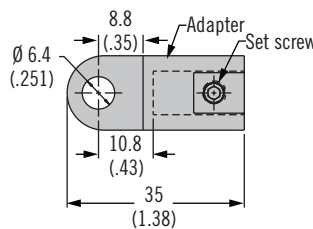


Arms Extended

Arms Retracted

Rod adaptor retainer pin (2 supplied)

### Rod Adaptor



Cam & linear actuator installation

Part Number	
Linear actuator	H3-51-40
Rod adaptor	A5-92-201-31

Other options available. For complete details on variety, part numbers, installation and specification, go to



[www.southco.com/H3](http://www.southco.com/H3)

Dimensions in millimeters (inch) unless otherwise stated



# H3 Swinghandle System

Plastic · Large · Non-sealed

- **Lightweight Glass filled nylon swinghandle system UL94-V0 rated**
- **DIN profile locking options**
- **Push or turn to close versions available**

### Material and Finish

Handle: Glass filled nylon  
Cam: Steel, zinc plated

### Performance Details

Max. static load: 250 N (56 lbf)

### Keys

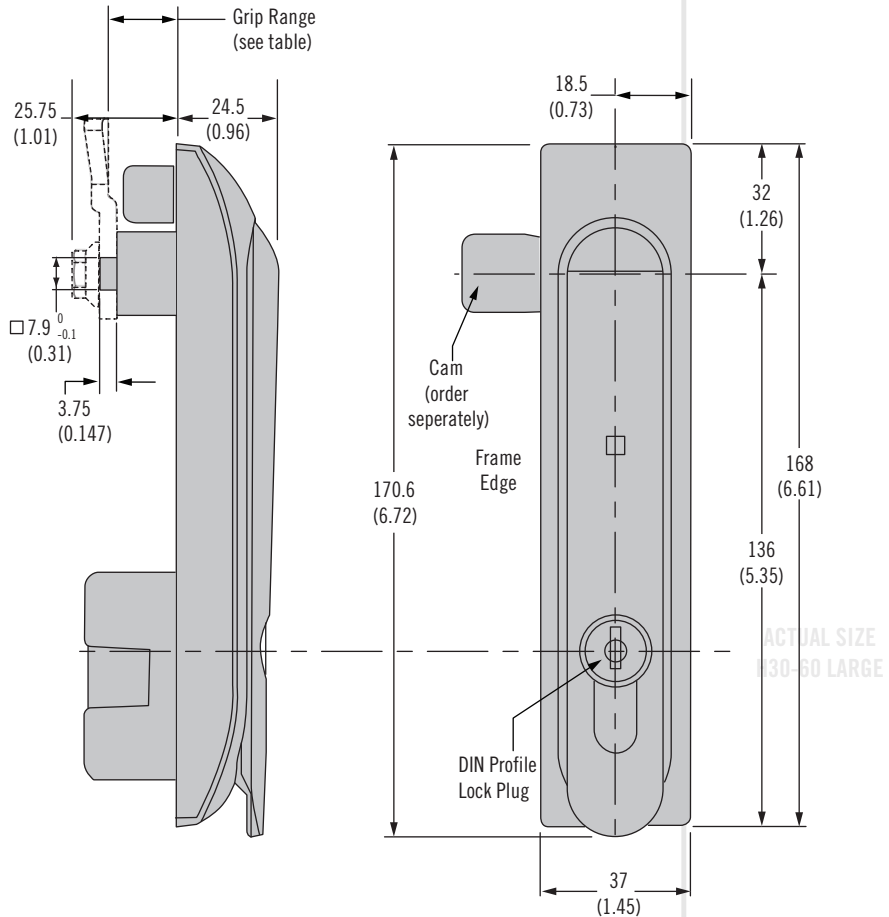
See page 130

### Notes

Electromechanical swinghandle available see pages 38-39

For metal version visit pages 144-145 and 192-193

## H3 Plastic Swinghandle



### Part Number Selection

For single point:  
Order latch and cam separately

For multi-point order:  
Latch and cam  
Linear actuator and rod adaptors  
Rods  
Rod guides

### Note

\*2 keys supplied

### Latch Part Number (no cam)

**T** Style

- 65 Push to close handle
- 66 Turn to close handle

**L** Lock style

- 00 Locking DIN profile (no lock supplied)
- 21 Locking DIN profile keyed alike CH751\*
- 22 Locking DIN profile keyed alike 300\*
- 23 Locking DIN profile keyed alike 333\*
- 70 DIN profile 3 mm Double-bit
- 71 DIN profile 5 mm Double-bit
- 72 DIN profile Bellcore 216
- 73 DIN Profile Bellcore Hex-Pin Recess
- 77 DIN profile 8 mm triangle

**H3 - T - 5 L - 071**

### Cam Part Number Table

Grip	Part Number (length = 38mm)	Part Number (length = 45mm)
15.5 (.61)	E5-6710	E5-6110
17.5 (.69)	E5-6711	E5-6111
19.5 (.77)	E5-6712	E5-6112
21.5 (.85)	E5-6713	E5-6113
23.5 (.93)	E5-6714	E5-6114
OTHER	Please contact Southco	

Other options available. For complete details on variety, part numbers, installation and specification, go to

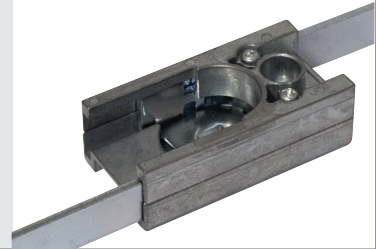


[www.southco.com/H3](http://www.southco.com/H3)

Dimensions in millimeters (inch) unless otherwise stated

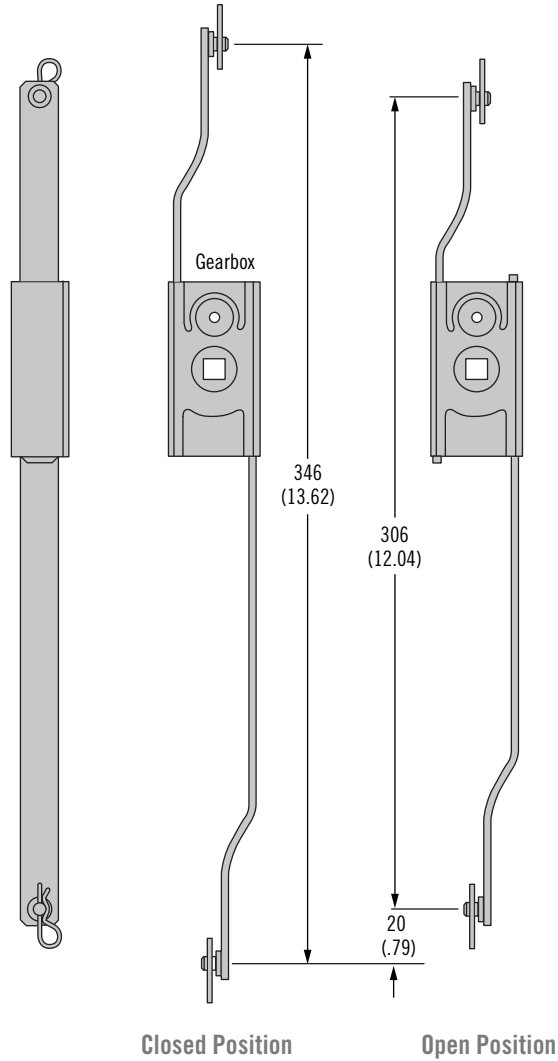
# H3 Linear Actuators

Linear actuators and rod adaptor for plastic H3 swinghandle system

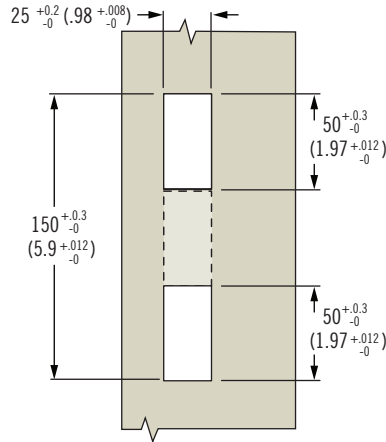


## Linear Actuator

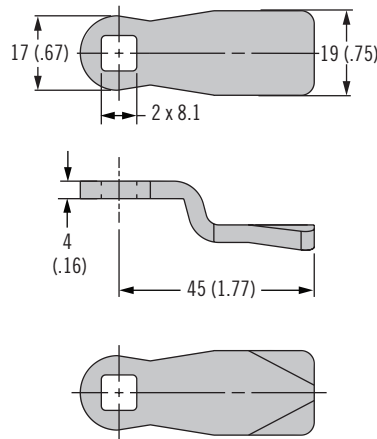
(Right Hand Mounting shown)



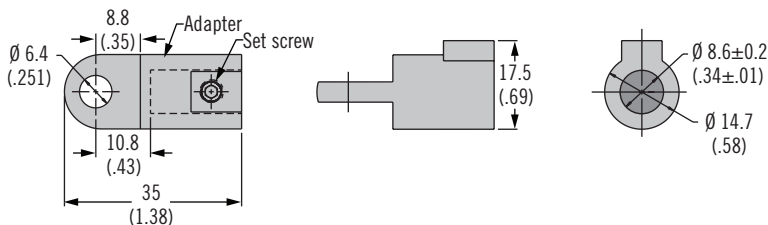
## Panel Preparation



## Cam



## Rod Adaptor



- Linear actuator for Plastic H3 swinghandles
- Linear rod travel for limited space
- Suitable for left and right hand applications
- Left and Right hand Actuators can be disassembled and reassembled in the opposite hand if required

## Material and Finish

Zinc alloy and steel, zinc plated

## To Select Linear actuator and Rod Adaptor:

For use with H3-65 and H3-66 swinghandles. Order linear actuator and rod adaptors separately (1 actuator and 2 adaptors required per latch)

## Accessories

Replacement rod adaptor retainer pin part number: H3-0-44778-01

## Part Number

Linear actuator and rod adaptors see table

For multi-point order: Latch Cam (if 3 point latching required) Linear actuator and rod adaptor (see table)

Rods, Rod guides

Part Number	
Linear actuator right hand mounting	H3-61-56-33
Linear actuator left hand mounting	H3-61-55-33
Rod adaptor	A5-92-201-31