

NOTES:

A. INSTALLATION INSTRUCTIONS:

- PREPARE A BURR FREE HOLE AS SHOWN. PLEASE ALLOW 25mm MINIMUM BEHIND PANEL OPENING TO ENSURE ENOUGH ROOM FOR ASSEMBLY.
- SLIDE THE GRIP END OF THE LATCH INTO THE PANEL HOLE, THEN PUSH THE SNAP END DOWN UNTIL IT SNAPS INTO PLACE.
- FOR LOCKING VERSION ONLY, THE LOCKPLUG USES KEY CODE CH751. PLEASE USE PK-11-03 OR EQUIVALENT REMOVAL KEY.

B. MATERIAL AND FINISH:

HOUSING, LOCK COLLAR AND DUMMY PLUG - UL94-V0 PC/ABS, BLACK.
 PLASTIC LOCK PLUG - UL94-V0 PC/ABS, BLACK.
 METAL LOCK PLUG - DIE CAST ZINC ZAMAK 3, BLACK POWDERCOAT.
 TORSION SPRING - 302 STAINLESS STEEL, PASSIVATE.

C. KEYS ARE NOT INCLUDED WITH PART NUMBER A3-85-X25-12. PLEASE ORDER SEPARATELY UNDER P/N PK-10-01.

D. PART NUMBERS A3-87-X25-12-KDYYY AND A3-87-X25-12-MKYYY ARE SUPPLIED WITH DIFFERENT KEY CODES. FOR DIFFERENT KEYCODES NO MASTER KEY USE KDYYY, DIFFERENT KEYCODES AND MASTER KEY OPTION ORDER MKYYY. TO ORDER REPLACE *YYY* WITH NUMBER OF DIFFERENT KEYCODES REQUIRED BETWEEN 001 AND 125.

E. -XXX DENOTES KEY CODE.

EXAMPLE: A3-87-625-12-333 = LOCK PLUG PK-0-40646-333.

F. COSMETIC SPECIFICATION:

UNLESS OTHERWISE NOTED, ALL SURFACES ARE TO CONFORM TO A CLASS B DESIGNATION AS DESCRIBED IN SOUTHCO COSMETIC SPECIFICATION S-121-04.

REVIEW THE CROSS REFERENCE TABLE IN SECTION 1.0



PROPRIETARY ITEM - EXCEPT FOR USES EXPRESSLY GRANTED IN WRITING INFORMATION DISCLOSED HEREON IS CONFIDENTIAL AND ALL RIGHTS PATENT AND OTHERWISE ARE RESERVED BY SOUTHCO, INC.

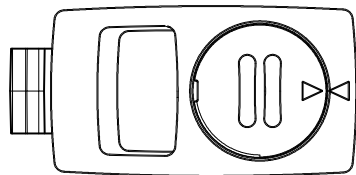
A3 SLIDE LATCH (LOCKING AND NONLOCKING)

DATE	DRAWN	CHKD	SCALE	DRAWING NUMBER
28JUN2004	IR		DNS	J-A3-85-525

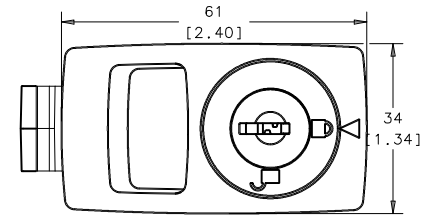
REV	DATE	DRAWN/CHKD	DESCRIPTION	ITEM	PART NUMBER	"""	"""	STYLE	COMMENTS
P	17MAY2011	MJS/MSR	PRN: P2011-0652	ASSEMBLY	A3-80-525-12	0.9-1.2 mm	.035-.047"	NONLOCKING	
Q	20JUL2011	CMS/ACH	PRN: P2011-0936	ASSEMBLY	A3-80-625-12	1.3-1.6 mm	.051-.062"	NONLOCKING	
R	05MAY2014	TED/CMS	PRN: P2014-0742	ASSEMBLY	A3-85-525-12	0.9-1.2 mm	.035-.047"	LOCKING	KEYS SEPARATE, PLASTIC LOCKPLUG
				ASSEMBLY	A3-85-625-12	1.3-1.6 mm	.051-.062"	LOCKING	KEYS SEPARATE, PLASTIC LOCKPLUG
				ASSEMBLY	A3-86-525-12	0.9-1.2 mm	.035-.047"	LESS LOCK	
				ASSEMBLY	A3-86-625-12	1.3-1.6 mm	.051-.062"	LESS LOCK	
				ASSEMBLY	A3-87-525-12	0.9-1.2 mm	.035-.047"	LOCKING	KEYS INCLUDED, PLASTIC LOCKPLUG
				ASSEMBLY	A3-87-625-12	1.3-1.6 mm	.051-.062"	LOCKING	KEYS INCLUDED, PLASTIC LOCKPLUG
				ASSEMBLY	A3-87-525-12-KDYYY	0.9-1.2 mm	.035-.047"	LOCKING	KEYS INCLUDED, METAL LOCKPLUG
				ASSEMBLY	A3-87-625-12-KDYYY	1.3-1.6 mm	.051-.062"	LOCKING	KEYS INCLUDED, METAL LOCKPLUG
				ASSEMBLY	A3-87-525-12-MKYYY	0.9-1.2 mm	.035-.047"	LOCKING	KEYS INCLUDED, METAL LOCKPLUG
				ASSEMBLY	A3-87-625-12-MKYYY	1.3-1.6 mm	.051-.062"	LOCKING	KEYS INCLUDED, METAL LOCKPLUG
				ASSEMBLY	A3-87-625-12-KAYYY	1.3-1.6 mm	.051-.062"	LOCKING	KEYS INCLUDED, METAL LOCKPLUG
				ASSEMBLY	A3-85-525-12-XXX	0.9-1.2 mm	.035-.047"	LOCKING	KEYS SEPARATE, PLASTIC LOCKPLUG
				ASSEMBLY	A3-85-625-12-XXX	1.3-1.6 mm	.051-.062"	LOCKING	KEYS SEPARATE, PLASTIC LOCKPLUG
				ASSEMBLY	A3-87-525-12-XXX	0.9-1.2 mm	.035-.047"	LOCKING	KEYS INCLUDED, PLASTIC LOCKPLUG
				ASSEMBLY	A3-87-625-12-XXX	1.3-1.6 mm	.051-.062"	LOCKING	KEYS INCLUDED, PLASTIC LOCKPLUG

MILLIMETERS/[INCHES]

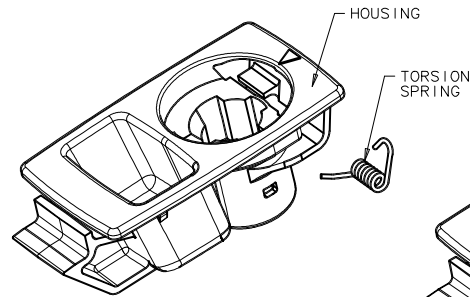
ALL DIMENSIONS WITHOUT TOLERANCES ARE FOR REFERENCE ONLY.



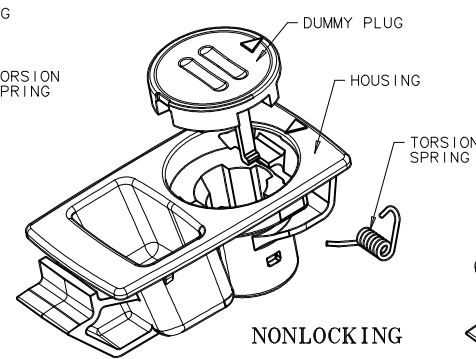
NONLOCKING



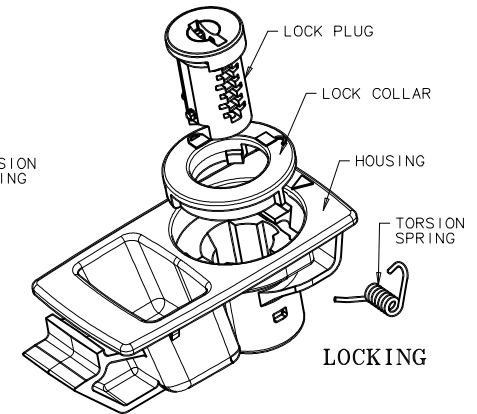
LOCKING



LESS LOCK



NONLOCKING



LOCKING

