

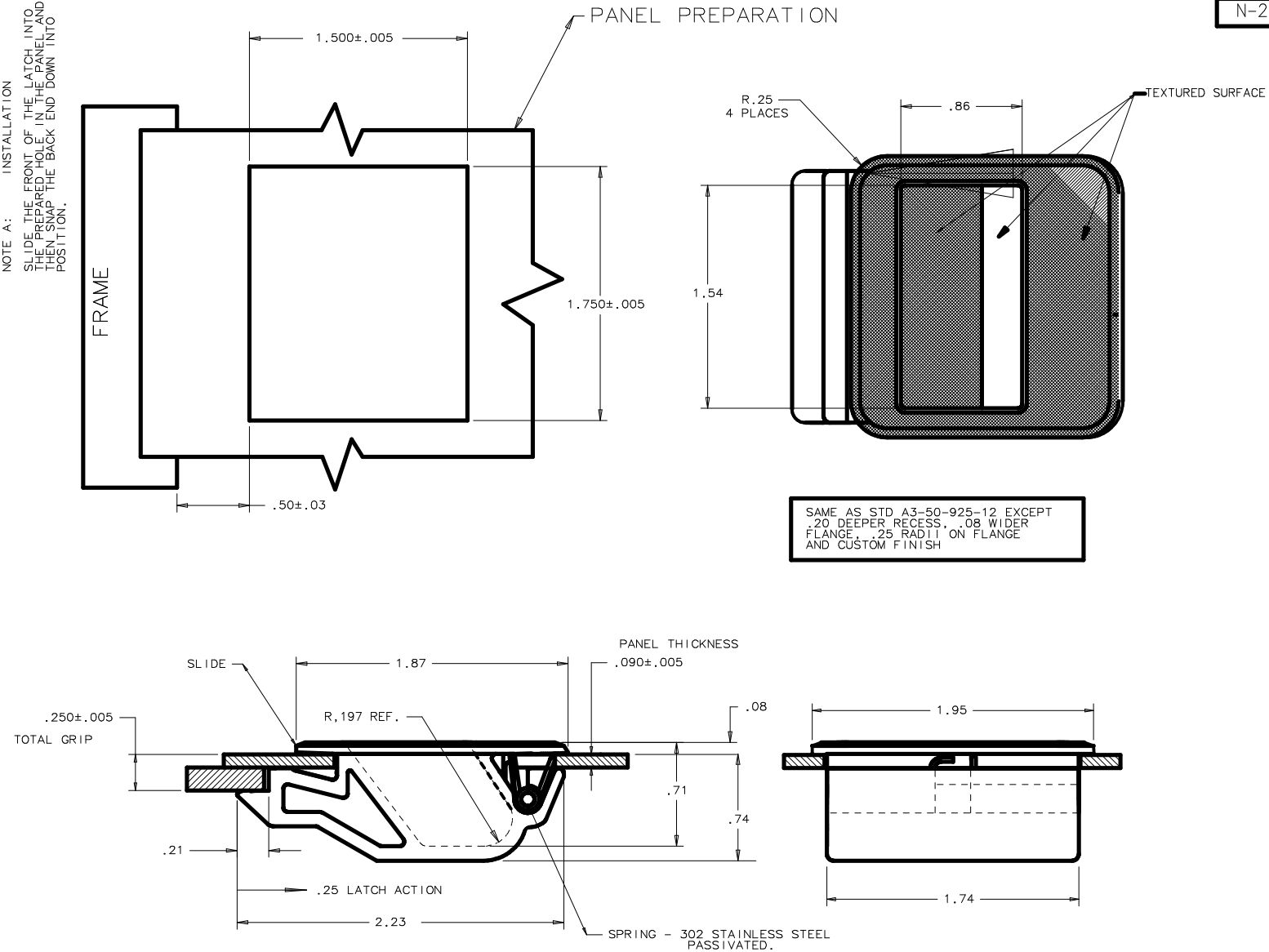


SOUTHCO No. A3 SLIDE LATCH WITH A DEEPER FINGER GRIP

DATE 9-26-88 \$,K0WEAL
 DRAWN CHKD SCALE 1.5:1
 DRAWING NUMBER N-24463-J

REV.	DATE	BY-CHKD	REVISIONS	ASSEMBLY No.	MATERIAL	FINISH
N	19JAN2001	SJL	PRN: A3-189 (SEE RECORD DRAWING)	A3-99-122-01	ABS	BORG WARNER SPECTRUM COLOR No. 6500 RED
0	25MAY2001	RUB	PRN: P2001-0259	A3-99-122-02	ABS	DOW SPECTRUM COLOR No. 541 BLUE
				A3-99-122-12	ABS	BLACK
				A3-99-122-13	ABS	GRAPHITE BLACK (W-7701)
				A3-99-122-15	ABS	NISSAN GRAY
				A3-99-122-16	ABS	EBONY, GM WPPGLA-167A
				A3-99-122-17	ABS	MEDIUM NEUTRAL I.I., GM TMT030-195A

NOTE A:
 INSTALLATION
 SLIDE THE FRONT OF THE LATCH INTO THE PREPARED HOLE IN THE PANEL AND THEN SNAP THE BACK END DOWN INTO POSITION.



DRAWING NUMBER
 N-24463-J

DIMENSIONS IN INCHES

PROPRIETARY ITEM - EXCEPT FOR USES EXPRESSLY GRANTED IN WRITING, INFORMATION DISCLOSED HEREON IS CONFIDENTIAL AND ALL RIGHTS PATENT AND OTHERWISE ARE RESERVED BY SOUTHCO, INC.

PATENT No. 3,841,641.

DIMENSIONS WITHOUT TOLERANCES ARE FOR REFERENCE ONLY