

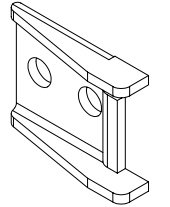
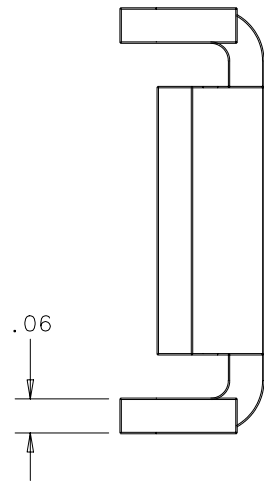
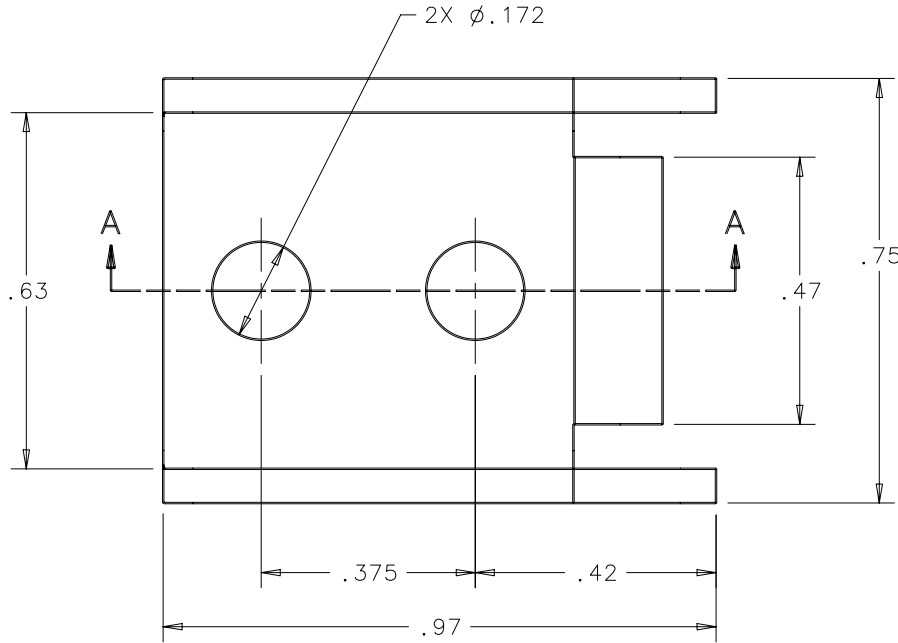
REV	DATE	DRAWN/CHKD	DESCRIPTION	PART NUMBER	MATERIAL	FINISH
B	18AUG2005	AJH/MDY	PRN: P2005-1084	97-57-103-11	HARDENED LOW CARBON STEEL	ZINC PLATED, BRIGHT CHROMATE DIP
				97-57-103-12	HARDENED LOW CARBON STEEL	NATURAL
				97-57-103-15	HARDENED LOW CARBON STEEL	BLACK POWDER COAT
				97-57-103-24	304 STAINLESS STEEL	PASSIVATED

**INCHES**

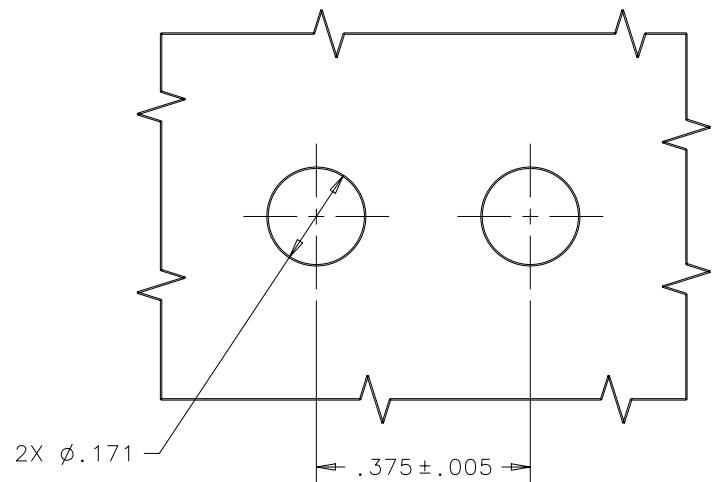
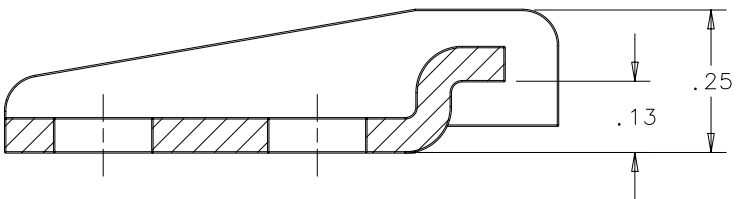
ALL DIMENSIONS WITHOUT TOLERANCES ARE FOR REFERENCE ONLY.

THIRD ANGLE PROJECTION

A PAPER SIZE



FULL SCALE



PANEL PREPARATION