

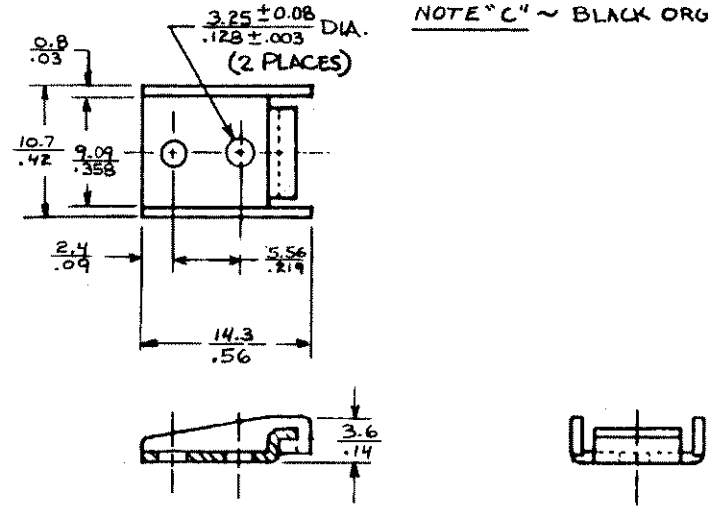


NO. 97-30 SERIES KEEPER

DATE	DRAWN	CHKD	SCALE	DRAWING NUMBER
2-5-90	TAB	<i>[Signature]</i>	N.T.S.	J-97-37-103

REV. LET.	DATE	BY-CHKD	REVISIONS	PART NO.	MATERIAL	FINISH	R.S.	DATE	APP
				97-37-103-11	CASE HARDENED 1008-1010 STEEL	SEE NOTE "A"	A		
				97-37-103-15	CASE HARDENED 1008-1010 STEEL	SEE NOTE "B"	B		
				97-37-103-24	7Y-302 STAINLESS STEEL	PASSIVATED	C		
				97-37-103-25	7Y-302 STAINLESS STEEL	SEE NOTE "C"	D		

NOTE "A" ~ ZINC PLATED - BRIGHT
NOTE "B" ~ BLACK POLYESTER POWDER COATED
NOTE "C" ~ BLACK ORGANIC COATING



PROPRIETARY ITEM
 EXCEPT FOR USES EXPRESSLY GRANTED
 IN WRITING INFORMATION DISCLOSED
 HEREON IS CONFIDENTIAL AND ALL
 RIGHTS PATENT AND OTHERWISE ARE
 RESERVED BY SOUTHCO, INC

DRAWING NUMBER
 J-97-37-103