



# 97 Draw Latch

## Over-center

- Compact latch
- Multiple keeper options for application variances

### Material and Finish

Stainless steel or steel, zinc plated

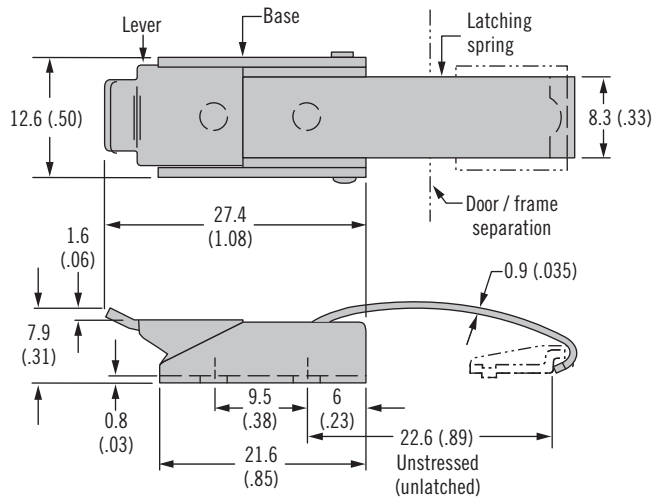
### Performance Details

Clamping force: 135 N (30 lbf)

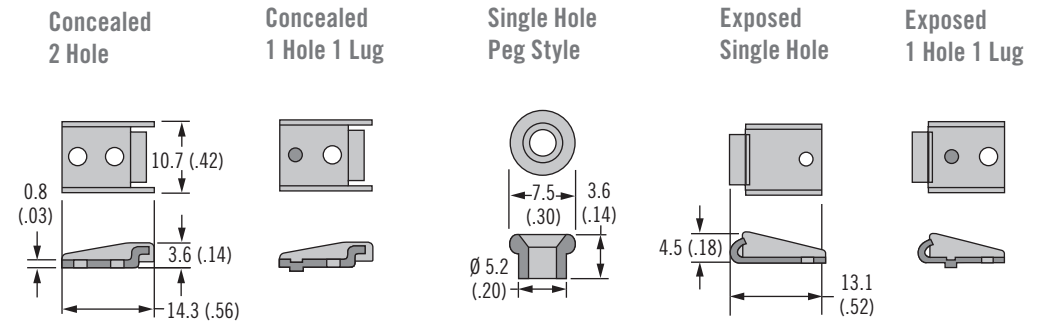
### Installation Notes

Install assembly with M3 (No. 4) round head screws or 3 (.118) rivets (not supplied)

For peg style keeper use M3 (No. 4) flat head screws or rivets



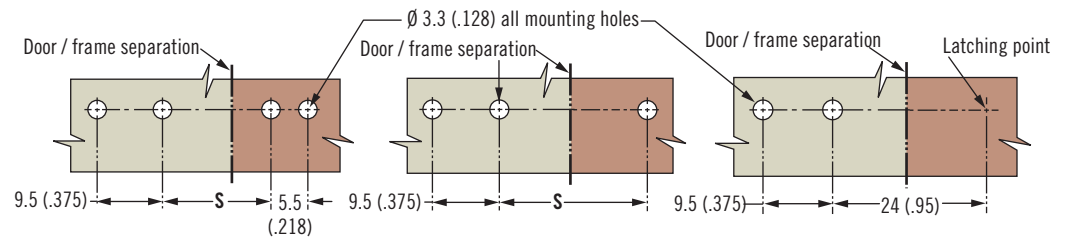
### Keepers



### Two Hole Keepers

### Single Hole Keepers

### Latch Only



### Part Number

See table

Order latch and keeper separately

Material	Part Number					
	Latch Only	Keepers				
		Concealed 2 Hole	Concealed 1 Hole 1 Lug	Single Hole Peg Style	Exposed Single Hole	Exposed 1 Hole 1 Lug
Steel	97-30-160-11	97-37-103-11	97-37-101-11	97-37-105-11	97-37-104-11	97-37-102-11
Stainless Steel	97-30-160-12	97-37-103-24	97-37-101-24	97-37-105-24	97-37-104-24	97-37-102-24
S Dimension		14.7 (.58)	14.7 (.58)	21.8 (.86)	33 (1.30)	27.4 (1.08)

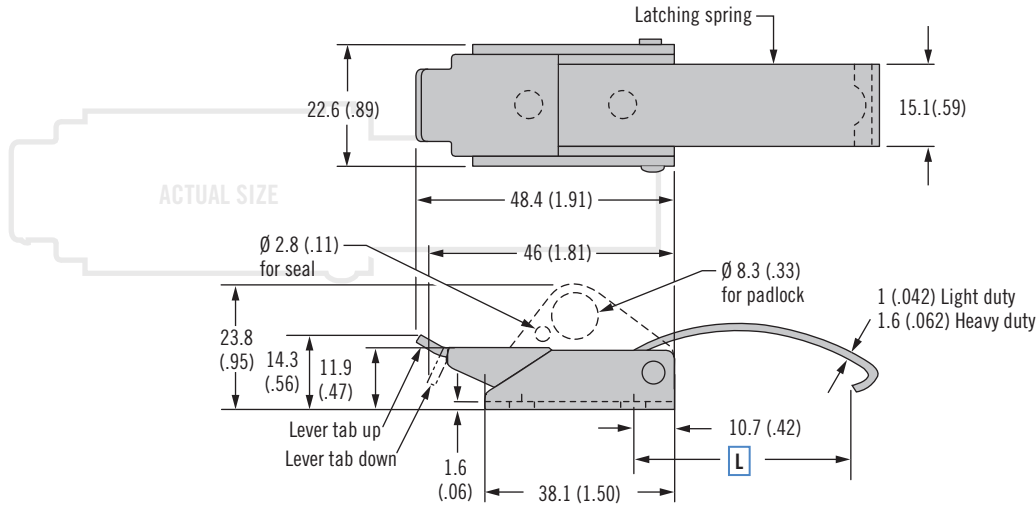
Other options available. For complete details on variety, part numbers, installation and specification, go to



[www.southco.com/97](http://www.southco.com/97)

Dimensions in millimeters (inch) unless otherwise stated

# 97 Draw Latch Over-center



- Multiple link and keeper options for application variances
- Secondary locking style available

### Material and Finish

Stainless steel, steel, zinc plated or steel, black powder coated

### Performance Details

Heavy-duty:  
Clamping force: 670 N (150 lbf)

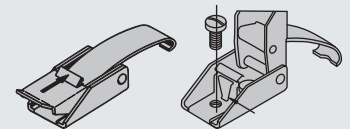
Light-duty:  
Clamping force: 310 N (70 lbf)

### Installation Notes

Install assembly with M4 (No. 8) round head screws or 4 (.156) rivets (not supplied). Peg needs flat head.

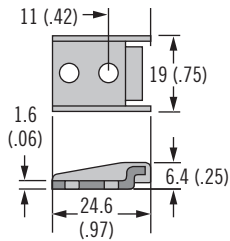
### Accessories

Spring loaded secondary catch provides resistance against severe vibration and accidental opening.  
Part number steel: 97-58-101-11  
Part number stainless steel: 97-58-101-25

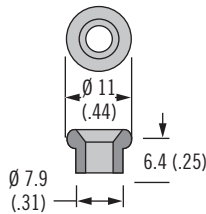


### Keepers

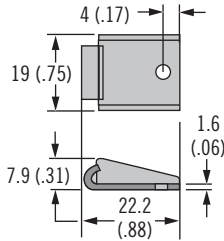
#### Concealed 2 Hole



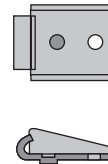
#### Single Hole Peg Style



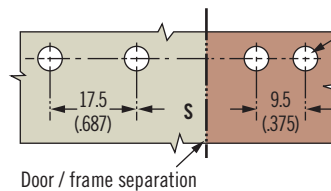
#### Exposed Single Hole



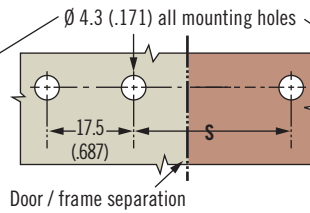
#### Exposed 1 Hole 1 Lug



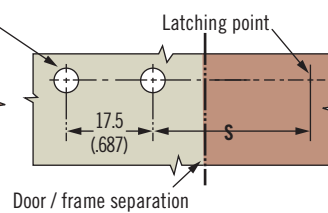
### Two Hole Keepers



### Single Hole Keepers



### Latch Only



### S Style

- 1 Lever tab up
- 2 Lever tab down
- 3 Padlockable (tab up)

### L Latching spring length/thickness

- |                       |                       |
|-----------------------|-----------------------|
| 1 Short (light-duty)  | 5 Short (heavy-duty)  |
| 2 Medium (light-duty) | 6 Medium (heavy-duty) |
| 3 Long (light-duty)   | 7 Long (heavy-duty)   |

**97 - 50 - S L 0 - 1 M**  
Part Number for Latch Only  
(No Keeper)

### M Material

- 1 Steel, zinc plated
- 2 Stainless steel (light-duty only)
- 5 Steel, black powder coated

### Part Number Selection

Order latch and keeper separately  
For latch part number see builder  
For keeper part number see table

Keeper Style	Keeper Part Number		S Dimension		
	Steel	Stainless Steel	Short Link L = 29.4 (1.16)	Medium Link L = 42.1 (1.66)	Long Link L = 54.8 (2.16)
Concealed 2 hole	97-57-103-11	97-57-103-24	15.9 (.63)	28.6 (1.13)	41.3 (1.63)
Single hole peg style	97-57-105-11	97-57-105-24	29.4 (1.16)	42.1 (1.66)	54.8 (2.16)
Exposed single hole	97-57-104-11	97-57-104-24	47.6 (1.88)	60.3 (2.38)	73.0 (2.88)
Exposed 1 hole 1 lug	97-57-102-11	97-57-102-24	38.1 (1.50)	50.8 (2.00)	63.5 (2.50)
Latch only			31.8 (1.25)	44.5 (1.75)	57.1 (2.25)





# 97 Draw Latch

## Over-center

- Multiple keeper options for application variances

### Material and Finish

Steel, zinc plated or steel powder coated black

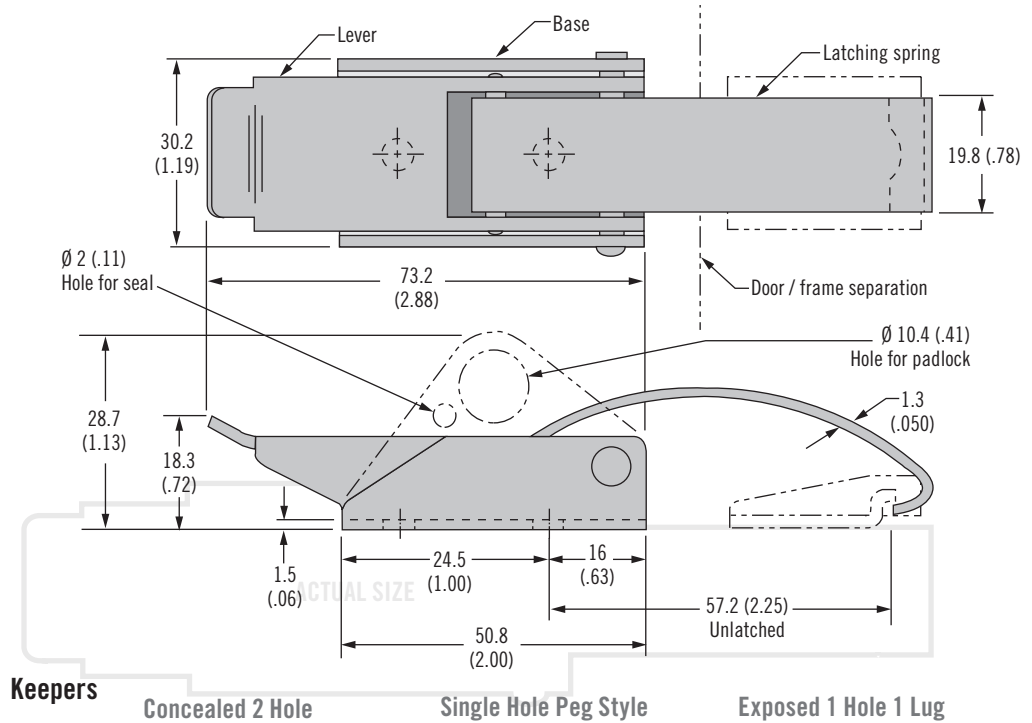
### Performance Details

Clamping force: 290 N (65 lbf)

### Installation Notes

Install assembly with M5 (No. 10) round head screws (not supplied) or 5 (3/16) rivets

For peg style keeper use M5 (No. 10) flat head screws or rivets

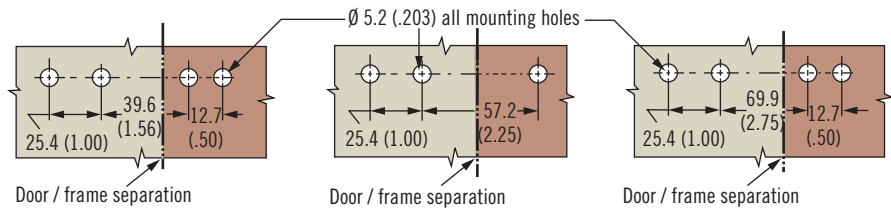
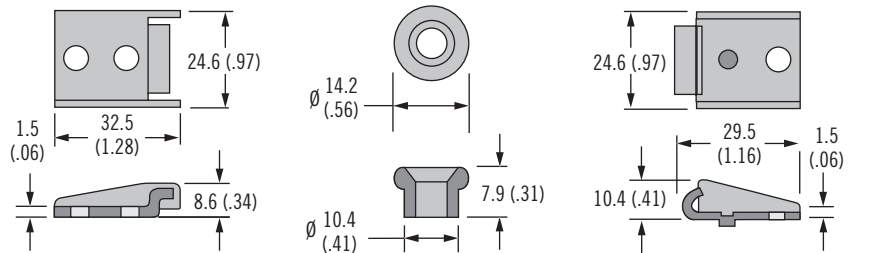


### Keepers

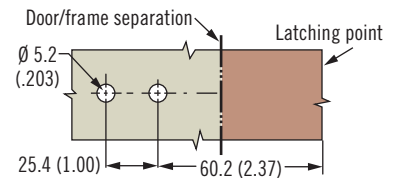
#### Concealed 2 Hole

#### Single Hole Peg Style

#### Exposed 1 Hole 1 Lug



### Latch Only



### Part Number

See table

Order latch and keeper separately

Material	Latch Part Number	
	Lever Tab Up	Padlockable
Steel, Zinc Plated	97-60-120-11	97-60-320-11
Steel, Black Powder Coated	97-60-120-15	97-60-320-15

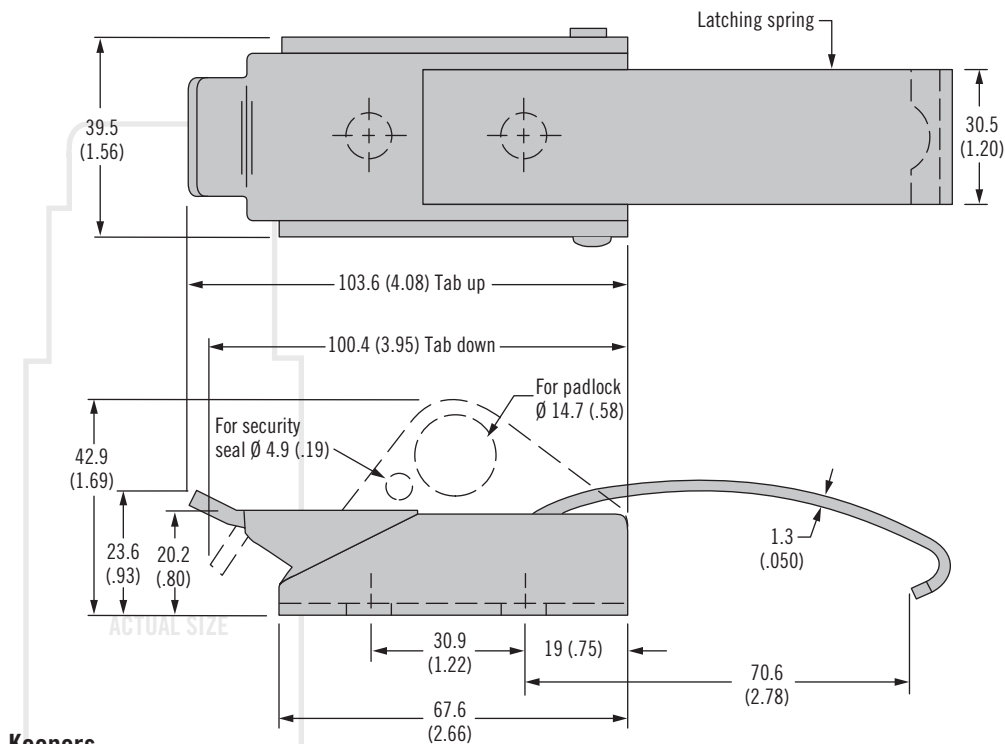
Material	Keeper Part Number		
	Concealed 2 Hole	Single Hole Peg Style	Exposed 1 Hole 1 Lug
Steel, Zinc Plated	97-67-103-11	97-67-105-11	97-67-104-11
Steel, Black Powder Coated	97-67-103-15	97-67-105-15	97-67-104-15

Other options available. For complete details on variety, part numbers, installation and specification, go to

**INFO CLIC** [www.southco.com/97](http://www.southco.com/97)

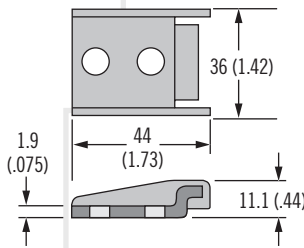
Dimensions in millimeters (inch) unless otherwise stated

# 97 Draw Latch Over-center

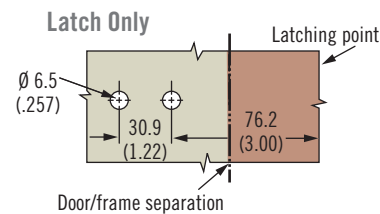
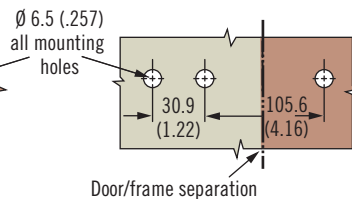
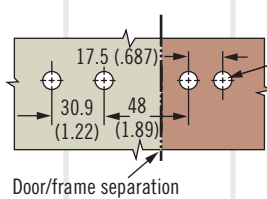
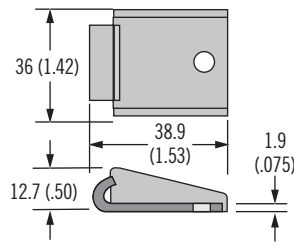


## Keepers

### Concealed 2 Hole



### Exposed Single Hole



Material	Latch Part Number		
	Lever Tab Up	Lever Tab Down	Padlockable
Steel	97-70-120-11	97-70-220-11	97-70-320-11

Material	Keeper Part Number	
	Concealed 2 Hole	Exposed Single Hole
Steel	97-77-103-11	97-77-104-11

- Multiple keeper options for application variances

### Material and Finish

Steel, zinc plated

### Performance Details

Clamping force: 645 N (145 lbf)

### Installation Notes

Install assembly with M6 (1/4) round head screws (not supplied) or 6 (1/4) rivets

